

*Server Cards*  
*Reference Guide*

*Publication 999-001958*

*Revision A1*

*Release 5.1*

*January 2000*

**Trademarks:**

5ESS is a registered trademark of Lucent Technologies

DMS-100 and DMS-200 are trademarks of Northern Telecom.

Nortel is a trademark of Northern Telecom

HyperTerminal is a registered trademark of Microsoft

Premisys is a registered trademark of Premisys Communications, Inc.

SLC is a registered trademark of Lucent Technologies

Windows 3.1 and 95 are registered trademarks of Microsoft

All other trademarks and registered trademarks are the property of their respective holders.

FCC Registration number:

1H5SNG-73866-DD-E (integral CSU)

B468NR-68618-DM-E (internal modem)

Canadian Certification Number: 1932 5217 A

Canadian DOC Load number: 5

Ringer Equivalence number: 0.2A (internal modem)

Approvals:

UL listed to UL# 1459 Second Edition, Third Edition

CSA listed to C22.2 No. 950-M89

**COPYRIGHT © 1992-1999 Premisys Communications, Inc. All rights reserved.**

This publication is protected by federal copyright law. No part of this publication may be copied or distributed, transmitted, transcribed, stored in a retrieval system, or translated into any human or computer language in any form or by any means, electronic, mechanical, magnetic, manual or otherwise, or disclosed to third parties without the express written permission from the manufacturer.

The manufacturer makes no representation or warranties with respect to the contents hereof and specifically disclaims any implied warranties of merchantability or fitness for a particular purpose. Further, the manufacturer reserves the right to revise this publication and to make changes from time to time in the contents hereof without obligation from the manufacturer to notify any person of such revision or changes.

## Product Description

The Server Cards provide voice compression that accept inputs directly from Voice Cards in the same system unit, or voice traffic from WAN links through the system.

### Server Cards

- **ADPCM**     **ADPCM 64 (8871)**
- **FRS**        **FRS (881160)**
- **MCC**        **MCC (8813)**
- **ATM**        **ATM (8820)**
- **ISDN-PRI**   **ISDN-PRI (8840)**
- **PRI-BRI**    **PRI-BRI (881162)**
- **IMUX**       **IMUX (8880)**
- **IPR**        **IPR 10B2 (8830), IPR 10BT (8831)**  
*IPR (881161)*



*Note:* Cards listed in italics have been Manufacturing Discontinued (MD), but are supported under this product host code for backward compatibility.

## Using this Server Card Reference Guide

This Server Card Reference Guide provides technicians with installation, switch settings, connector pinouts, configuration, and troubleshooting information for the Server Cards.

Chapter 1, *ADPCM Card*

Chapter 2, *FRS Card*

Chapter 3, *MCC Card*

Chapter 4, *ATM Card*

Chapter 5, *ISDN-PRI Card*

Chapter 6, *PRI-BRI Card*

Chapter 7, *IMUX Card*

Chapter 8, *IPR Card*



# Contents

## Chapter 1 ADPCM Card

1.1	Introduction .....	1-1
1.2	ADPCM Card Descriptions .....	1-1
1.2.1	ADPCM 64 Card Description (8871).....	1-1
1.2.1.1	Card Jumper/Switch Settings .....	1-2
1.2.1.2	Installing the ADPCM Card.....	1-2
1.3	ADPCM Card User Screens and Settings .....	1-3
1.3.1	ADPCM Card Main Screen.....	1-3
1.4	ADPCM Card Error Messages .....	1-8
1.5	ADPCM Card Troubleshooting .....	1-8

## Chapter 2 FRS Card

2.1	Introduction .....	2-1
2.2	ACS-FRS Card Descriptions .....	2-1
2.2.1	ACS-FRS Card Description (8810/8811).....	2-1
2.2.1.1	Card Jumpers/Switch Settings.....	2-1
2.2.1.2	Installing the Card .....	2-1
2.3	ACS-FRS Card User Screens and Settings .....	2-2
2.3.1	ACS-FRS Card Main Screen.....	2-2
2.3.2	PVC Endpoints Screen .....	2-7
2.3.3	Circuits Screen.....	2-10
2.3.4	Circuit Performance Data Screen .....	2-13
2.3.5	Circuit Congestion Data Screen .....	2-15
2.3.6	Port Performance Data Screen.....	2-18
2.3.7	LMI Data Screen .....	2-20
2.3.8	Global Setup Screen .....	2-23
2.4	ACS-FRS Card Error Messages .....	2-25
2.5	ACS-FRS Card Troubleshooting .....	2-25

## Chapter 3 MCC Card

3.1	Introduction .....	3-1
3.2	ACS-MCC Card Descriptions .....	3-1
3.2.1	ACS-MCC Card Description (8813).....	3-1
3.2.1.1	Jumper/Switch Settings .....	3-2
3.2.1.2	Installing the Card .....	3-2
3.3	ACS-MCC Card User Screens and Settings .....	3-3
3.3.1	ACS-MCC Card Main Screen (Ethernet Port Configuration).....	3-3
3.3.1.1	C-Port and Numbered Port Configuration (1.1 Version Only).....	3-6

3.4	Network Port Statistics Screen .....	3-11
3.4.1	MCC Protocol Stack Data Screen.....	3-13
3.5	ACS-MCC Card Error Messages .....	3-16
3.6	ACS-MCC Card Troubleshooting .....	3-16

## Chapter 4 ATM Card

4.1	Introduction .....	4-1
4.2	ACS-ATM Card Descriptions .....	4-1
4.2.1	ACS-ATM Card Description (8820) .....	4-1
4.2.1.1	Card Jumpers/Switch Settings .....	4-2
4.2.1.2	Installing the Card .....	4-2
4.3	ACS-ATM Card User Screens and Settings .....	4-3
4.3.1	ACS-ATM Card Main Screen .....	4-3
4.3.2	UNI (User Network Interface) Screen .....	4-6
4.3.3	UNI Performance Data Screen (Supports 3.0 only) .....	4-10
4.3.4	UNI VBR Performance Data Screen (Unstructured).....	4-12
4.3.5	CES Performance Data Screen .....	4-14
4.3.6	VBR (Variable Bit Rate) Configuration Screen .....	4-16
4.3.7	VBR Port Performance Data Screen.....	4-21
4.3.8	CBR (Constant Bit Rate) Configuration (Structured) Screen.....	4-24
4.3.9	CBR Port Performance Data Screen.....	4-28
4.3.10	DS3 Performance Data Screen .....	4-30
4.4	ACS-ATM Card Error Messages .....	4-34
4.5	ACS-ATM Card Troubleshooting .....	4-34

## Chapter 5 ISDN-PRI Card

5.1	Introduction .....	5-1
5.1.1	Definitions .....	5-1
5.1.1.1	Timeslot .....	5-1
5.1.1.2	DS0 .....	5-1
5.1.1.3	B Channel .....	5-2
5.1.1.4	D Channel.....	5-2
5.1.1.5	Facility .....	5-2
5.1.1.6	Interface .....	5-2
5.1.1.7	NFAS (Non-Facility Associated Signaling) .....	5-2
5.1.1.8	Trunks .....	5-3
5.1.2	Selecting D Channels, B Channels, and DS0s.....	5-3
5.1.2.1	Network and User Side Protocols.....	5-5
5.1.3	Call Routing.....	5-7
5.1.3.1	Calls Originating from an HSU Port .....	5-7
5.1.3.2	Calls Destined to an HSU Port .....	5-7
5.1.3.3	Calls Originating from a D Channel.....	5-8
5.1.4	ISDN Trunks.....	5-8
5.1.5	Local Routing .....	5-9
5.1.6	Call Profiles .....	5-11

5.2	ISDN-PRI Card Description .....	5-11
5.2.1	ISDN-PRI Card Description (8840) .....	5-11
5.2.1.1	Card Jumpers/Switch Settings .....	5-11
5.2.1.2	Installing the Card .....	5-11
5.3	ISDN-PRI Card User Screens and Settings .....	5-12
5.3.1	ISDN-PRI Card Main Screen .....	5-12
5.3.2	Main Screen Parameters .....	5-13
5.3.3	D Channel Configuration Screen.....	5-14
5.3.4	Configuring ISDN Features.....	5-18
5.3.5	Assigning Interface Identifications.....	5-19
5.3.6	Assigning B Channels .....	5-20
5.3.7	Assigning B Channels to One D Channel .....	5-21
5.3.8	Assignments for Two or More D Channels.....	5-23
5.3.9	B Channel Status Screen .....	5-25
5.3.10	Assigning ISDN Trunks Screen .....	5-27
5.3.11	Routing ISDN Trunks Screen.....	5-29
5.3.12	Assignment of Services Screen .....	5-31
5.3.13	Routing of Incoming Calls Screen .....	5-33
5.3.14	Special Numbers Screen.....	5-34
5.3.15	Performance Monitoring Screen.....	5-36
5.3.16	Remote Login Using the D Channel .....	5-38
5.3.17	Initiate Remote Login Screen.....	5-39
5.3.17.1	Terminate the Session .....	5-39
5.4	ISDN-PRI Card Error Messages .....	5-40
5.5	ISDN-PRI Card Troubleshooting .....	5-40

**Chapter 6 PRI-BRI Card**

6.1	Introduction .....	6-1
6.1.1	Definitions .....	6-1
6.1.1.1	Timeslot.....	6-1
6.1.1.2	DS0.....	6-1
6.1.1.3	B Channel.....	6-2
6.1.1.4	D Channel.....	6-2
6.1.1.5	Facility.....	6-2
6.1.1.6	Interface.....	6-2
6.1.1.7	NFAS (Non-Facility Associated Signaling).....	6-2
6.1.1.8	Trunks.....	6-3
6.1.2	Selecting D Channels, B Channels, and DS0s .....	6-3
6.1.3	Network and User Side Protocols.....	6-5
6.1.4	Call Routing.....	6-7
6.1.4.1	Calls Originating from an HSU Port.....	6-7
6.1.4.2	Calls Destined to an HSU Port.....	6-7
6.1.4.3	Calls Originating from a D Channel .....	6-8
6.1.5	ISDN Trunks .....	6-8
6.1.6	Local Routing .....	6-9
6.1.7	Call Profiles .....	6-11

6.2	PRI-BRI Card Description .....	6-11
6.2.1	PRI-BRI Card Description (8811) .....	6-11
6.2.1.1	Card Jumpers/Switch Settings .....	6-11
6.2.1.2	Installing the Card .....	6-11
6.3	PRI-BRI Card User Screens and Settings .....	6-12
6.3.1	PRI-BRI Card Main Screen .....	6-12
6.3.1.1	Main Screen Parameters .....	6-12
6.3.2	D Channel Configuration Screen .....	6-14
6.4	Configuring ISDN Features .....	6-18
6.4.1	Assigning Interface Identifications .....	6-19
6.4.2	Assigning B Channels .....	6-20
6.4.3	Assigning B Channels to One D Channel .....	6-21
6.4.4	Assignments for Two or More D Channels .....	6-23
6.4.5	B Channel Status .....	6-25
6.4.6	Assigning ISDN Trunks .....	6-27
6.4.7	Routing ISDN Trunks .....	6-28
6.4.8	Assignment of Services .....	6-30
6.4.9	Routing of Incoming Calls .....	6-31
6.4.10	Special Numbers .....	6-33
6.4.11	Performance Monitoring .....	6-34
6.4.12	Remote Login Using the D Channel .....	6-36
6.4.13	Initiate Remote Login .....	6-37
6.4.14	Terminate the Session .....	6-37
6.5	PRI-BRI Card Error Messages .....	6-38
6.6	PRI-BRI Card Troubleshooting .....	6-38

## Chapter 7 IMUX Card

7.1	Introduction .....	7-1
7.2	Inverse Multiplexer (IMUX) Card Settings .....	7-2
7.2.1	IMUX Card Description (8880) .....	7-2
7.2.2	IMUX Card Main Screen .....	7-3
7.2.3	Configuration Screen .....	7-5
7.2.4	IMUX Call Setup .....	7-6
7.2.5	HSU Call Profile Screen .....	7-10
7.2.6	Inverse Multiplexer - IMUX .....	7-15
7.3	IMUX Card Error Messages .....	7-18
7.4	IMUX Card Troubleshooting .....	7-18

## Chapter 8 IPR Card

8.1	Introduction .....	8-1
8.2	IPR Card Descriptions .....	8-1
8.2.1	IPR 10B2 and 10BT Cards Description (8830/8831) .....	8-1
8.2.1.1	Card Jumpers/Switch Settings .....	8-2
8.2.2	Installing the IPR Cards .....	8-2
8.3	Frame Relay Network .....	8-3



8.3.1	IPR Connecting IP LANs .....	8-3
8.3.1.1	IPR to the Internet .....	8-4
8.3.1.2	IPR .....	8-5
8.4	IPR WAN Routing .....	8-6
8.4.1	Hub-and-Spoke .....	8-6
8.5	Fully Meshed vs. Partially Meshed .....	8-7
8.5.1	Fully Meshed Frame Relay Network .....	8-7
8.5.2	Partially Meshed Frame Relay Network (Same IP Network) .....	8-8
8.5.3	Partially Meshed Frame Relay Network (Different IP Network) .....	8-9
8.5.4	Unnumbered IP Interface .....	8-10
8.6	IPR Card Configuration Screens and Settings .....	8-11
8.6.1	IPR 10B2 (8830) and 10BT (8831) Cards Main Screen .....	8-11
8.6.2	Ethernet and Default IP Screen .....	8-13
8.6.3	Ethernet Performance Screen .....	8-16
8.6.4	ARP Screen .....	8-17
8.6.5	Frame Relay Ports Configuration Screen .....	8-18
8.6.6	Frame Relay PVC Configuration Screen .....	8-21
8.6.7	Frame Relay Bridge PVC Screen .....	8-24
8.6.8	PVC Performance Screen .....	8-26
8.6.9	Frame Relay Port Performance Screen .....	8-27
8.6.10	Frame Relay Port LMI Screen .....	8-28
8.6.11	IP Routing Table Screen .....	8-29
8.6.12	Static Routes Configuration Screen .....	8-30
8.6.13	IP Performance Screen (Netstats) .....	8-32
8.6.14	IPR Bridge Interface Screen .....	8-33
8.7	IPR Card Error Messages .....	8-35
8.8	IPR Card Troubleshooting .....	8-35



# Figures

1-1	Typical ADPCM Card Main Screen .....	1-3
2-1	Typical ACS-FRS Card Main Screen (ports C1 to C4).....	2-2
2-2	Typical ACS-FRS Card Main Screen (numbered ports) .....	2-3
2-3	Typical PVC Endpoints Screen .....	2-8
2-4	Typical Circuits Screen.....	2-10
2-5	Typical Endpoint Circuit .....	2-11
2-6	Typical Circuit Performance Data Screen .....	2-14
2-7	Typical Circuit Congestion Data Screen .....	2-16
2-8	Typical Port Performance Data Screen.....	2-18
2-9	Typical LMI Data Screen .....	2-20
2-10	Global Data Screen .....	2-23
3-1	Typical MCC Application .....	3-2
3-2	Typical ACS-MCC Card Main Screen .....	3-3
3-3	Typical C-Port Screen.....	3-7
3-4	Typical Numbered Port Screen.....	3-8
3-5	Typical Network Port Data Screen .....	3-11
3-6	Typical MCC Protocol Stack Data Screen .....	3-13
4-1	Typical ACS-ATM Card Main Screen (DS3) .....	4-3
4-2	Typical UNI Screen .....	4-6
4-3	Typical UNI Performance Data Screen .....	4-11
4-4	Typical UNI VBR Performance Data Screen .....	4-13
4-5	Typical CES Performance Data Screen .....	4-15
4-6	Typical VBR Configuration Screen.....	4-17
4-7	Typical VBR Port Performance Data Screen (ATM).....	4-21
4-8	Typical VBR Port Performance Data Screen (Legacy) .....	4-22
4-9	Typical CBR Configuration Screen.....	4-24
4-10	ATM Server Option Tree.....	4-26
4-11	Typical CBR Port Performance Data Screen.....	4-28
4-12	DS3 Performance Data Screen .....	4-30
5-1	ISDN Channels: 191B+D .....	5-3
5-2	DS0s and B Channels on the Same Facility .....	5-4
5-3	ISDN-PRI Links to Two Carriers from an ISDN PBX .....	5-5
5-4	ISDN-PRI Links to Two Carriers .....	5-6
5-5	Network and User Side Protocols.....	5-7
5-6	Call Routing.....	5-10
5-7	ISDN-PRI Call Status Screen .....	5-12
5-8	D Channel Configuration Screen.....	5-15
5-9	Interface Identification Screen.....	5-20
5-10	Basic Bmap Screen .....	5-21
5-11	Assigned Bmap Screen .....	5-22
5-12	WAN Cross-Connect Screen .....	5-23
5-13	Assigning B Channels.....	5-24

## Figures

---

5-14	Completed BMap Screen .....	5-25
5-15	Status Screen .....	5-26
5-16	Assigned Trunk Screen .....	5-28
5-17	Add Trunk Route Screen.....	5-29
5-18	Add Trunk Route Screen.....	5-30
5-19	Assigning Services Screen .....	5-32
5-20	Routing Numbers Screen .....	5-33
5-21	Special Numbers Screen .....	5-35
5-22	Performance Monitoring Screen .....	5-36
5-23	CPU Card Screen .....	5-38
5-24	ISDN Card Screen .....	5-39
6-1	ISDN Channels: 191B+D.....	6-3
6-2	DS0s and B Channels on the Same Facility .....	6-4
6-3	PRI-BRI Links to Two Carriers from an ISDN PBX .....	6-5
6-4	PRI-BRI Links to Two Carriers .....	6-6
6-5	Network and User Side Protocols .....	6-7
6-6	Call Routing .....	6-10
6-7	PRI-BRI Call Status Screen .....	6-12
6-8	D Channel Configuration Screen .....	6-15
6-9	Interface Identification Screen .....	6-20
6-10	Basic Bmap Screen .....	6-21
6-11	Assigned Bmap Screen .....	6-22
6-12	WAN Cross-Connect Screen.....	6-23
6-13	Assigning B Channels .....	6-24
6-14	Completed BMap Screen .....	6-25
6-15	Status Screen .....	6-26
6-16	Assigned Trunk Screen .....	6-28
6-17	Add Trunk Route Screen.....	6-29
6-18	Add Trunk Route Screen.....	6-30
6-19	Assigning Services Screen .....	6-31
6-20	Routing Numbers Screen .....	6-32
6-21	Special Numbers Screen .....	6-33
6-22	Performance Monitoring Screen .....	6-34
6-23	CPU Card Screen .....	6-36
6-24	ISDN Card Screen .....	6-37
7-1	Typical IMUX Application .....	7-2
7-2	The IMUX Card Main Screen.....	7-3
7-3	The IMUX Card Configure Screen .....	7-5
7-4	The HSU Card Dial Screen .....	7-7
7-5	HSU Card Call Profile Screen.....	7-11
7-6	IMUX Call Screen.....	7-15
8-1	IPR Card Connected to IP LANs through Frame Relay Network .....	8-3
8-2	IPR Card Routed to the Internet through Frame Relay Network .....	8-4
8-3	IPR Card Connected to IP Nodes on Ethernet to Frame Relay Network.....	8-5
8-4	Hub-and-Spoke Topology .....	8-6
8-5	Fully Meshed Frame Relay Network with Full Connectivity .....	8-7
8-6	Partially Meshed Frame Relay Network without Full Connectivity (Same IP Network)...	8-8
8-7	Partially Meshed Frame Relay Network with Full Connectivity (Different IP Network)..	8-9

8-8	Unnumbered Frame Relay IP Interface .....	8-10
8-9	IPR 10B2 and 10BT Card Interface Main Screen .....	8-11
8-10	IPR 10B2 and 10BT Ethernet and Default IP Screen .....	8-13
8-11	IPR 10B2 and 10BT Ethernet Performance Screen.....	8-16
8-12	IPR 10B2 and 10BT ARP Table Screen.....	8-17
8-13	IPR 10B2 and 10BT Frame Relay Menu.....	8-18
8-14	IPR 10B2 and 10BT Frame Relay PVC Configuration Screen .....	8-21
8-15	IPR 10B2 and 10BT Frame Relay Bridge PVC Menu .....	8-24
8-16	IPR 10B2 and 10BT PVC Performance Screen.....	8-26
8-17	IPR 10B2 and 10BT Frame Relay Port Performance Screen .....	8-27
8-18	IPR 10B2 and 10BT Frame Relay Port LMI Screen .....	8-28
8-19	IPR 10B2 and 10BT IP Routing Table Screen .....	8-29
8-20	IPR 10B2 and 10BT IP Static Routes Configuration Menu Screen .....	8-30
8-21	IPR 10B2 and 10BT IP Performance Screen (Netstats) .....	8-32
8-22	IPR 10B2 and 10BT Bridge Interface Screen.....	8-33



# Tables

1-1	ADPCM Compression Rates .....	1-2
1-2	ADPCM Card Main Screen Actions .....	1-4
1-3	ADPCM Card Setting Options and Defaults .....	1-4
2-1	Main Screen Actions .....	2-4
2-2	Main Screen Option Settings and Defaults.....	2-4
2-3	PVC Endpoints Screen Actions .....	2-8
2-4	Circuits Screen Actions .....	2-11
2-5	Circuit Performance Data Screen Actions.....	2-14
2-6	Circuit Congestion Data Screen Actions .....	2-16
2-7	Port Performance Data Screen Actions .....	2-19
2-8	LMI Data Screen Actions .....	2-21
2-9	Global Data Screen Actions .....	2-23
3-1	Main Screen Actions .....	3-4
3-2	Main Screen Option Settings and Defaults.....	3-4
3-3	Port Assignment Screen Actions .....	3-8
3-4	Port Screen Option Settings and Defaults .....	3-9
3-5	Network Port Data Screen Actions.....	3-13
4-1	ACS-ATM Card Main Screen Actions (DS3).....	4-4
4-2	ACS-ATM Card Main Screen Options and Defaults (DS3) .....	4-4
4-3	UNI Screen Actions.....	4-7
4-4	UNI Screen Options and Defaults .....	4-7
4-5	UNI Performance Data Screen Actions.....	4-11
4-6	UNI VBR Performance Data Screen Actions.....	4-13
4-7	CES Performance Data Screen Actions.....	4-15
4-8	VBR Configuration Screen Actions .....	4-17
4-9	VBR Configuration Screen Options and Defaults.....	4-18
4-10	VBR Port Performance Data Screen Actions .....	4-22
4-11	CBR Configuration Screen Actions .....	4-25
4-12	CBR Configuration Screen Options and Defaults .....	4-25
4-13	CBR Port Performance Data Screen Actions .....	4-28
4-14	DS3 Performance Data Screen Actions.....	4-31
5-1	Call Status Screen.....	5-13
5-2	ISDN-PRI Screen Menu of Actions .....	5-14
5-3	Options and Defaults .....	5-15
5-4	ISDN-PRI Screen Menu of Actions .....	5-18
5-5	Status Screen Menu of Actions .....	5-27
6-1	Call Status Screen.....	6-13
6-2	PRI-BRI Screen Menu of Actions .....	6-14
6-3	Options and Defaults .....	6-15
6-4	PRI-BRI Screen Menu of Actions .....	6-18
6-5	Status Screen Menu of Actions .....	6-27
7-1	IMUX Card Main Screen Options and Defaults .....	7-3

## Tables

---

7-2	The IMUX Card Configure Screen of Actions .....	7-5
7-3	IMUX Card Configure Screen Options and Defaults .....	7-6
7-4	The IMUX Card Configure Screen of Actions .....	7-6
7-5	The HSU Card Dial Screen Settings and Options.....	7-7
7-6	HSU Dial Screen of Actions .....	7-10
7-7	Settings for HSU Card Call Profile Parameters .....	7-11
7-8	Call Profile Screen Menu of Actions .....	7-14
7-9	IMUX Call Screen Settings Options and Defaults.....	7-16
7-10	The IMUX Call Screen Actions .....	7-17
8-1	IPR 10B2 and 10BT Card Main Screen Actions .....	8-12
8-2	IPR 10B2 and 10BT Card Interface Option Settings and Defaults.....	8-12
8-3	IPR 10B2 and 10BT Ethernet and Default IP Screen Actions.....	8-13
8-4	IPR 10B2 and 10BT Ethernet and Default IP Option Settings and Defaults.....	8-14
8-5	IPR 10B2 and 10BT Frame Relay Menu Screen Actions.....	8-18
8-6	IPR 10B2 and 10BT Frame Relay Menu Option Settings and Defaults.....	8-19
8-7	IPR 10B2 and 10BT Frame Relay PVC Configuration Screen Actions.....	8-21
8-8	IPR 10B2 and 10BT FR PVC Configuration Option Settings and Defaults .....	8-22
8-9	IPR 10B2 and 10BT Frame Relay Bridge PVC Configuration Screen Actions .....	8-24
8-10	IPR 10B2 and 10BT FR Bridge PVC Configuration Option Settings and Defaults.....	8-25
8-11	IPR 10B2 and 10BT IP Static Routes Configuration Table Screen Actions .....	8-30
8-12	IPR 10B2 and 10BT IP Static Routes Configuration Option Settings and Defaults .....	8-31
8-13	IPR 10B2 and 10BT Bridge Interface Screen Actions .....	8-33
8-14	IPR 10B2 and 10BT Bridge Interface Option Settings and Defaults .....	8-34



# Chapter 1

## ADPCM Card

### 1.1 Introduction

This chapter provides installation, configuration, and troubleshooting information for the Adaptive Differential Pulse-Code Modulation (ADPCM) Card. This card is labeled as the ADPCM 64 card on its faceplate ejector.

### 1.2 ADPCM Card Descriptions

#### 1.2.1 ADPCM 64 Card Description (8871)

The ADPCM 64 Card has 32 pairs of voice compression engines that accept inputs directly from voice, SRU, and/or BRI data cards in the same system unit, or voice traffic from WAN links through the system. This card requires a matching card at the other end to decompress the voice channels to normal 64 kbps operation.

Each pair of compression engines uses one 64 kbps DS0 time slot for two compressed voice channels. Each engine can compress 64 kbps voice traffic into 24 kbps, 32 kbps, or 40 kbps, depending on the voice signal quality required.

The rate of a DS0 time slot is 64 kbps, so the sum of the compression rates for engines 1 and 2 must equal 64 kbps. For example, if you assign a 32 kbps circuit to engine 1, engine 2 can only accept another 32 kbps circuit. Also, a 40 kbps circuit can only be paired with a 24 kbps circuit, and vice versa.

The ADPCM compression engines always work in pairs. Engines 1 and 2, 3 and 4, 5 and 6, and 7 and 8 are paired. Each member of the pair must have the same ADPCM WAN port and ADPCM time slot. **Also, both members of the compression engine pair must be active before either port will operate.**

The ADPCM 64 Card can transport low-speed asynchronous data transmission (19.2 kbps or less) from an SRU user card port that will occupy a 24 kbps engine. Each data circuit must be paired with a 40 kbps voice channel. The card can also compress B-channel voice traffic from a BRI card without restricting compression rates.

The integrated access system can have up to three ADPCM 64 Cards (two normal cards and an identical redundant card).

The ADPCM 64 Card supports Transition Signaling as defined in ANSI T1.302-1989, with the exception of the Alarm bits. ANSI T1.302 specifies signaling at the 32 bps compression rate. The card uses this scheme for 24 bps and 40 bps, even though those rates are not included in the standard. Table 1-1 summarizes the signals supported by each transcoder data rate. Your DS0 time slot configuration must adhere to these specifications.

**Table 1-1. ADPCM Compression Rates**

Transcoder Rate	Voice Quality (MOS)*	Modem Data	DTMF	FAX
24 kbps	3.6-3.8 Range	no	no	no
32 kbps	4.0-4.3 Range	up to 4.8 kbps V.32 9.6 kbps	OK	Group II
40 kbps	4.0-4.3 Range	up to 12 kbps V.32 14.4 (no/yes)	OK	Group III

\* MOS = Mean Opinion Score based on subjective evaluation

### 1.2.1.1 Card Jumper/Switch Settings

The ADPCM 64 Card does not have any jumpers or switches on its motherboard.

### 1.2.1.2 Installing the ADPCM Card

Insert the ADPCM card into one of the server card chassis slots (P1 to P3). The system can accommodate up to three server cards.

## 1.3 ADPCM Card User Screens and Settings

### 1.3.1 ADPCM Card Main Screen

You must configure the ADPCM card ports for operation. This is done from the ADPCM Card Main Screen, which is shown in Figure 1-1. To go to this screen, highlight the ADPCM card in the System Main Screen and press <Enter>.

Node_1	P1	ADPCM-64	Rev	A0-0	Ser	00101	12-31-99	14:33
version #:1.33								
	1	2	3	4	5	6	7	8
STATE	stdby	stdby	stdby	stdby	stdby	stdby	stdby	stdby
USER	n/a	n/a	n/a	n/a	n/a	n/a	n/a	n/a
WAN/SERV	w1-1	w1-1	w1-1	w1-1	w1-1	w1-1	w1-1	w1-1
TS	01	01	01	01	01	01	01	01
ADPCM W/S	w1-1	w1-1	w1-1	w1-1	w1-1	w1-1	w1-1	w1-1
ADPCM TS	01	01	01	01	01	01	01	01
TYPE	v&s	v&s	v&s	v&s	v&s	v&s	v&s	v&s
RATE	24k	24k	24k	24k	24k	24k	24k	24k
SIG MODE	e&m	e&m	e&m	e&m	e&m	e&m	e&m	e&m
CODING	u-law	u-law	u-law	u-law	u-law	u-law	u-law	u-law
TC CGA	idle	idle	idle	idle	idle	idle	idle	idle
Save   Undo   Refresh   pg_Left   pg_right   sWitch   Main								

Figure 1-1. Typical ADPCM Card Main Screen

The bottom highlighted line of this screen shows several actions you can perform from the screen. To perform an action, simply press the key indicated by the uppercase letter of the desired action. For example, to save your configuration settings, press “s” to invoke the **Save** command. Table 1-2 lists these actions.

**Table 1-2. ADPCM Card Main Screen Actions**

Action	Function
Save	Saves changes to settings.
Undo	Returns all settings to the last saved state.
Refresh	Redraws the current screen with the latest information.
pg_Left	Pages through the 64 engines (highest to lowest), 8 at a time.
pg_righT	Pages through the 64 engines (lowest to highest), 8 at a time.
SWitch	Switches an active ADPCM card to its redundant mate.
Main	Returns to the ADPCM Card Main Screen. If changes are made to settings and not saved, users will be prompted to save or lose changes.

Table 1-3 summarizes the ADPCM card configuration parameters and available settings. These are also described in the following paragraphs.

**Table 1-3. ADPCM Card Setting Options and Defaults**

Parameter	User Options	Default
STATE	stdby actv rdnt	stdby
USER	n/a uX-1 through uX-8	n/a
WAN/SERV	n/a w1-1 w1-2 w2-1 w2-2 w3-1 w3-2 w4-1 w4-2	none
TS	n/a 01-24 01-31	01
ADPCM W/S	w1-1 w1-2 w2-1 w2-2 w3-1 w3-2 w4-1 w4-2	none
ADPCM TS	01-24 01-31	01
TYPE	n/a v&s v trnsp	v&s
RATE	n/a 24K 32K 40K	24K
SIG MODE	n/a e&m fxs plar fxo user	e&m
CODING	n/a u-law a-inv	u-law
TC CGA	n/a idle busy	idle

## STATE

The State setting determines whether the port is active or inactive. When assigning ADPCM engine pairs for WAN traffic, set the State setting to **stdby** (standby) for ports that are not yet used or not yet configured. Set it to **actv** (active) for ports that are ready for use.

Setting the State to **rdnt** (redundant) for any port on an unused card will cause that card to act as the redundant back-up for all of the other ADPCM cards in that unit. Once a card is designated as a redundant ADPCM card the only way it can be used for regular ADPCM traffic is to change the state of the selected port back to either **actv** or **stdby**.

When assigning ADPCM engine pairs from user cards, changing the port from **stdby** to **actv** and saving the selection information on the user card screen will cause the system to automatically assign an ADPCM engine.

When the engine is assigned from a user card, no changes can be made from the ADPCM card screen to any of the fields.

## USER

The User setting identifies the user card and port connected to this engine. This is the place where the ADPCM card will expect incoming (non-compressed) voice, subrate data, and B-channel traffic. If assigned from a voice, SRU, or BRI card port, this selection will show the user card slot and port number (e.g., **u5-2** for the card in slot U5, port 2). If you are assigning a WAN time slot, this setting will show **n/a**.

## WAN/SERV

The WAN/SERV setting identifies the incoming WAN link connected to this engine. This is the place where the ADPCM card will expect incoming (non-compressed) voice. If you are assigning voice traffic to a WAN time slot, this setting will show **w1-1** to **w4-2**. If you are assigning to a voice card or SRU card port, this setting will show **n/a**.

## TS

The Time slot parameter selects the specific time slot of the above WAN link on which the ADPCM card can expect incoming voice traffic. If WAN 1-1 is equipped with a T1 CSU module or a DSX/CEPT module configured for T1 DSX interface, the options are **1** to **24**. If a DSX/CEPT module is installed on that WAN port and that module is configured for CEPT E1 interface, the options are **1** to **15** and **17** to **31**. If you are assigning time slots to voice or SRU card ports, this setting will be **n/a**.

## ADPCM W/S

The ADPCM W/S setting identifies the outgoing WAN link to which the engine is connected. If you are assigning to a voice, SRU, or BRI card port, or to voice traffic from a WAN time slot, this setting will show **w1-1** through **w4-2**. This is the WAN link to which the ADPCM card will send its outgoing (compressed) traffic.

## ADPCM TS

The ADPCM Time slot parameter selects the specific time slot on the WAN link chosen in the previous setting that the ADPCM card will send outgoing compressed traffic. The options are determined by the equipment on the WAN link selected in the previous setting. If WAN 1-1 is equipped with an 812 CSU or 811 DSX/CEPT Module configured for DSX, the options are **1** to **24**. If a DSX/CEPT module is installed and configured for CEPT E1, the options are **1** to **15** and **17** to **31**.

## TYPE

The Type parameter identifies the voice and signaling requirements for the incoming circuit. The options are **v** (voice), voice and **v&s** (signaling) and **trnsp** (transparent). Use **v** when the input to the ADPCM channel is a 64 kbps channel and inband signaling is not required. Use **v&s** when the input to the ADPCM channel is a 64 kbps voice channel and the ADPCM card must also provide inband signaling.

The **trnsp** setting allows you to map the outputs of SRU ports to the ADPCM channel. The subrate data will be clocked into the ADPCM channel at an input rate of 24 kbps, then passed transparently (non-compressed) through the ADPCM card to the appropriate WAN time slot. This could be useful if you have an odd number of voice channels and want to utilize the empty engine pair of the last ADPCM channel.

The B-channel traffic from the BRI card also uses the **trnsp** setting, but it does not place any restrictions on the compression rates.

If the engine is assigned to a voice card, this selection will show **v&s**. If assigned to an SRU card, it will show **trnsp**. You cannot change it from this screen.

## RATE

The Rate parameter identifies the compression requirements for the incoming circuit. The options are **24K**, **32K**, and **40K**. The sum of the pair of engines must always equal 64 kbps.

If this engine is assigned to a user card port, the selection will show the value that was chosen on that port. It cannot be changed from this screen.

## SIG MODE

The Signaling Mode parameter identifies the type of signaling required for the incoming circuit from the network. If **v&s** was chosen in the Type setting, the options are **e&m**, **fxs**, **plar**, and **fxo**. If **v** or **trnsp** was chosen in the Type setting, the only option is **n/a**.

If this engine is assigned to a user card, this selection will show **user**. It cannot be changed from this screen.

## CODING

The Coding parameter identifies the PCM companding format required for the incoming circuit from the network. The choices are **u-law** or **a-inv**.

If this engine is assigned to a voice or BRI card, this selection will show the value you selected for that port. If this engine is assigned to an SRU card, this selection will show **u-law**. It cannot be changed from this screen.

**TC CGA**

The Trunk Conditioning CGA setting identifies the type of trunk conditioning required for the incoming circuit. If **v&s** is chosen in the Type setting, the options are **idle** or **busy**. If **trnsp** or **v** is chosen as the Type, the only option is **n/a**.

If this engine is assigned to a voice card, this selection will show the value you selected on the voice card port. If assigned to an SRU or BRI card port, the field will show **n/a**. It cannot be changed from this screen.

## 1.4 ADPCM Card Error Messages

Refer to Appendix B in the System Reference Guide for further information on Error Messages regarding this card.

## 1.5 ADPCM Card Troubleshooting

The following are instructions on how to troubleshoot the ADPCM card. This is in case the card fails for any reason:

1. Green LED on faceplate.
2. Verify that the card is in the right slot, P1 through P3.
3. Reseat the card if necessary. This can be done with the power on.
4. View the card status on the main screen.
5. Check the cards configuration options. Select the card from the main screen to do this.
6. Now try to log into the ADPCM main screen. If this still didn't work the card may be bad. Try swapping it with a new card.
7. If the ADPCM card is determined to be faulty, replace it and return the faulty unit for repair to the location specified by your distributor.



# Chapter 2

## FRS Card

### 2.1 Introduction

This chapter provides installation, configuration, and troubleshooting information for the Frame Relay Server (FRS) Card.

Note that this card is labeled as an ACS card on its faceplate ejector. It is identified as an FRS card only in the user interface screens shown in this chapter. Throughout the remainder of this chapter, it will be referred to as the ACS-FRS card.

### 2.2 ACS-FRS Card Descriptions

#### 2.2.1 ACS-FRS Card Description (8810/8811)

The ACS-FRS card concentrates multiple N x 56K or N x 64K frame relay data streams onto one or more Nx56/64K links of the integrated access system. In addition to frame relay concentration, the card encapsulates data for Nx56/64K HDLC or SDLC data streams. The frame relay server software runs on the card, which provides up to 68 logical ports. Up to 128 permanent virtual circuits (PVCs) can be configured on a single card. The aggregate speeds of all ports associated with each FRS cannot exceed 8 Mbps.

The maximum frame size supported by the ACS-FRS card is 4,096 bytes per frame. Each card can switch 4,000 frames per second, assuming a frame size of 64 bytes per frame. Up to three ACS-FRS cards can be used in a system.

##### 2.2.1.1 Card Jumpers/Switch Settings

The ACS-FRS card does not have any jumpers or switches on its motherboard.

##### 2.2.1.2 Installing the Card

Insert the ACS-FRS card into one of the server card chassis slots (P1 to P3). The system can accommodate up to three server cards.

## 2.3 ACS-FRS Card User Screens and Settings

### 2.3.1 ACS-FRS Card Main Screen

You must configure the ACS-FRS card for operation after installing it. This is done in the ACS-FRS Card Main Screen (Figure 2-1). To go to that screen, highlight the desired ACS-FRS card in the System Main Screen and press <Enter>.

Node_1	P3	FRSx68	Rev	A00-0	Ser	00101	12-31-99	14:33		
Version #:1.00										
		C1	C2	C3	C4					
STATE		stdby	stdby	stdby	stdby					
WAN/SRV		none	none	none	none					
TS		n/a	n/a	n/a	n/a					
RATE		64k	64k	64k	64k					
PORT TYPE		none	none	none	none					
LOOPBACK		off	off	off	off					
LMI		none	none	none	none					
DCE PARAM		n/a	n/a	n/a	n/a					
DTE PARAM		n/a	n/a	n/a	n/a					
ASYNC		n/a	n/a	n/a	n/a					
CONG THRS		enabl	enabl	enabl	enabl					
Save	Undo	Refresh	<	>	Endp	Circ	Perf	Lmi	Glob	Main

Figure 2-1. Typical ACS-FRS Card Main Screen (ports C1 to C4)

The 68 logical ports of the card are labeled C1 to C4 and 1 to 64. However, numbered ports 1 to 64 do not appear in the above display. To see those ports, press the "<" and ">" keys to scroll through them, eight at a time. Figure 2-2 shows an ACS-FRS card Main Screen display for the first eight numbered ports.

Node_1	P3	FRSx68	Rev	A00-0	Ser	00101	12-31-99	14:33	
Version #:1.00									
	1	2	3	4	5	6	7	8	
STATE	stdby	stdby	stdby	stdby	stdby	stdby	stdby	stdby	
WAN/SRV	none	none	none	none	none	none	none	none	
TS	n/a	n/a	n/a	n/a	n/a	n/a	n/a	n/a	
RATE	64k	64k	64k	64k	64k	64k	64k	64k	
PORT TYPE	none	none	none	none	none	none	none	none	
LOOPBACK	off	off	off	off	off	off	off	off	
LMI	none	none	none	none	none	none	none	none	
DCE PARAM	n/a	n/a	n/a	n/a	n/a	n/a	n/a	n/a	
DTE PARAM	n/a	n/a	n/a	n/a	n/a	n/a	n/a	n/a	
ASYNC	n/a	n/a	n/a	n/a	n/a	n/a	n/a	n/a	
CONG THRS	enabl	enabl	enabl	enabl	enabl	enabl	enabl	enabl	
Save	Undo	Refr	< >	Endp	Circ	Perf	Lmi	Glob	Main

**Figure 2-2. Typical ACS-FRS Card Main Screen (numbered ports)**

Table 2-1 lists the actions you can perform from the ACS-FRS Card Main Screen. These actions are listed at the bottom line of the screen; they are performed by pressing the uppercase letter key. For example, to save your option settings, press “s” to invoke the **Save** command. Table 2-2 summarizes the parameters and their option settings and defaults.

Table 2-1. Main Screen Actions

Action	Function
Save	Saves changes to settings.
Undo	Returns all settings to the last saved state.
Refresh	Redraws the screen.
< and >	Lets you scroll through the 68 logical ports assignable on each ACS-FRS card.
Endp	Brings up the PVC Endpoints Screen where endpoints for each PVC are assigned. See the PVC Endpoints Screen section of this chapter.
Circ	Brings up the Circuits Screen where alternate endpoints and endpoint switching are assigned. See the Circuits section of this chapter.
Perf	Initiates Port Performance Monitoring of the selected ACS-FRS card port. Refer to Port Performance Data section of this chapter.
Lmi	Brings up the LMI Screen where additional performance statistics are stored. See the LMI section of this chapter.
Glob	Brings up the Global Screen that identifies the ACS-FRS card by IP number and netmask. See the Global Setup section of this chapter.
Main	Returns to the System Main Screen. If changes are made to settings and not saved, you will be prompted to save or lose changes.

Table 2-2. Main Screen Option Settings and Defaults

Parameter	User Options	Notes	Default
STATE	stdby actv		stdby
WAN/SRV	none w1-1 w1-2 w2-1 w2-2 w3-1 w3-2 w4-1 w4-2		none
TS	n/a table		n/a
RATE	64k		64
PORT TYPE	none u-dce nni u-dte frad		none
LOOPBACK	off line local		off
LMI	none ansi ccitt lmi	1	none
DCE PARAM	n/a enabl	2	n/a
DTE PARAM	n/a enabl	3	n/a
ASYNCR	no yes		no
CONG THRS	enabl 1%-100%	4	enabl (95%)

**Notes:**

1. **ansi**, **ccitt**, and **lmi** can only be selected when Port Type is changed to any selection other than **none**.
2. When Port Type is **u-dce** or **nni**, this parameter will let you change the Error Threshold, Poll Verify Timer, and Events Counter settings.
3. When Port Type is **u-dte** or **nni**, this parameter will let you change the Error Threshold, Poll Interval Timer, Events Counter, and Full Status Frequency.
4. Press <Enter> to select the desired Congestion Threshold percentages.

## STATE

The State setting determines whether the port is active or inactive. Set the State field to **stdby** (standby) for ports you are not using or have not yet configured. Or, set it to **actv** (active) for ports that are ready for use.

## WAN

The WAN setting identifies the WAN link assigned to this port. You do not have to assign all ports on the same card to the same WAN link. You also don't have to assign card ports to contiguous time slots of a WAN link. The default value is **none**.

## TS

The Time Slot setting identifies the time slots on the WAN link when **wan** is selected in the previous setting. The ACS-FRS card can use many (up to 24 T1 or 31 E1) time slots on a single WAN port, in order to create a super-rate circuit for an individual FRS port. One or all time slots of a T1 or E1 link can be assembled for use by the FRS port, according to the speed requirements of the DTE.

You can assign time slots by pressing <Enter> and using the space bar to select and deselect the required number of time slots. These assignments do not have to be contiguous.

## RATE

The Rate setting allows you to adjust the speed of the circuit according to the application requirements. The only speed available for ports C1 to C4 is **64k** (64 kbps). However, ports 1 to 64 can be set to either **56k** or **64k**.

## PORT TYPE

The Port Type identifies the type of interface expected for this port. The selections are **none**, **u-dce** (User-to Network Interface), **nnt** (Network to Network Interface), **u-dte** (User-to Terminal Equipment), and **frad** (Frame Relay Assembler/Disassembler).

## LMI

The Local Management Interface setting allows you to select the protocol to be used by this port. The options are **none**, **ansi** (ANSI T1.617 Annex D), **ccitt** (ITU Q.933 Annex A), and **lmi** (Group of Four specification).

## DCE PARAM

The DCE Parameters setting will show **n/a** unless a Port Type of **u-dce** or **nni** is selected. Once set to enable, the user may choose from the following options:

- Error Threshold(N392)
- Poll Verify Timer(T391)
- Events Counter(N393)

The Error Threshold (N392) counts the errors that will be tolerated during the cast number of events as set by the Events Counter before declaring the LMI link down. The number of errors options are **1** to **10**. The value is input using the keyboard of the control terminal. The default is **3**.

The Poll Verify Timer (T391) allows you to select the time interval (in seconds) that should elapse between “keep alive” messages sent from the corresponding DTE. The number of seconds options are **5** to **30**. The default is **15** seconds.

The Events Counter (N393) allows you to select the window size for the number of events (frames) in which errors will be counted. If error threshold (N392) is exceeded within cast N393 frames, the link is declared down. The number of events counted are **1** to **10**. The default is **4**.

## DTE PARAM

The DTE Parameters setting will show **n/a** unless a Port Type of **u-dte** or **nni** is selected. Once set to enable, the user may choose from the following options:

- Error Threshold(N392)
- Poll Interval Timer(T391)
- Events Counter(N393)
- Full Status Frequency(N391)

The Error Threshold (N392) counts the errors that will be tolerated during the cast number of events as set by the Events Counter before declaring the LMI link down. The number of errors options are **1** to **10**. The value is input using the keyboard of the control terminal. The default is **3**.

The Poll Verify Timer (T391) allows you to select the time interval (in seconds) that should elapse between “keep alive” messages sent from the corresponding DCE. The number of seconds options are **5** to **30**. The default is **15** seconds.

The Events Counter (N393) allows you to select the window size for the number of events (frames) in which errors will be counted. If error threshold (N392) is exceeded within cast N393 frames, the link is declared down. The number of events counted are **1** to **10**. The default is **4**.

The Full Status Frequency (N391) allows you to select the number of “keep alive” messages (see T391 above) that should elapse before the full status inquiry message is sent. The number of messages are **1** to **255**. The default is **6**.

### **ASync**

This setting specifies whether a synchronous state's update messages are to be sent when changes on the link occur. If set to no, link updates are sent at regular intervals, in response to Full Status Requests.

### **CONG THRS**

The Congestion Threshold allows you to select the amount (in percentage) that the internal Tx queues on the port must be filled before declaring this port is congested (this information is communicated by FECN and BECN flags). The options are **1** to **100**.

## **2.3.2 PVC Endpoints Screen**

Each PVC can have up to four endpoints (two for the actual endpoints of the PVC and two that can act as backup should the primary link fail). All PVC endpoints are inventoried on the PVC Endpoints Screen, and all endpoints must be defined from this screen before the user can provision the circuit.

Figure 2-3 shows a typical PVC Endpoints Screen, which can be viewed by pressing “**e**” (**Endp** command) in the ACS-FRS Card Main Screen. Table 2-3 lists the actions you can perform from the bottom line of this screen.

Node_1   P3 FRSx68 Rev A00-0 Ser 00101   12-31-99 14:33					
page: 1 of 1 PVC ENDPOINTS					
NAME	PORT	DLCI	Bc (Kb)	Be (Kb)	CIR (Kbps)
Chicago	C1	16	64	32	64
Fremont	C3	17	0	0	0
Refresh   New   dElete   pgUp   pgDn   Main					

Figure 2-3. Typical PVC Endpoints Screen

Table 2-3. PVC Endpoints Screen Actions

Action	Function
Refresh	Redraws the screen.
New	Adds new circuit endpoints for each of the Frame Relay ports
dElete	Deletes the highlighted endpoints. The system requires confirmation with a yes/no question before deleting the circuit.
pgUp	Pages through the pages of Frame Relay endpoints from newest to oldest.
pgDn	Pages through the pages of Frame Relay endpoints from oldest to newest.
Main	Returns to the System Main Screen. If changes are made to settings and not saved, you will be prompted to save or lose changes.

**NAME**

The Name setting allows you to identify each of the PVC endpoints with a discrete name. This setting is case-sensitive, so a PVC endpoint called “Chicago” is not the same as one called “chicago.” Circuits are built using these names.



**PORT**

The Port number identifies the Frame Relay port used for this circuit. This information is input by the user from the keyboard. Valid entries are **C1** to **C4** and **1** to **64**.

**DLCI**

The Data Link Connection Identifier is a unique number assigned by the carrier to this endpoint. The number must be between **1** and **996** (ansi or ccitt), or **1** and **1007** (lmi). The other number within the 1023 range are reserved.

**BC(Kb)**

The Bits Committed setting defines the threshold for the transmit rate (outgoing frames) where the card will make every effort to deliver the traffic to the subscriber. The time used to average rate is determined by the card by dividing the Committed Information Rate (CIR) by Bc. The number input must be between **0** and **2048**.

**BE(Kb)**

The Bits Excessive setting defines the threshold for the transmit rate (outgoing frames) where the carrier will admit the frames into the network (in effect, this is the maximum transmission rate). Frames sent below this threshold but above the BC(KB) threshold are admitted into the carrier network with the DE (discard eligibility) bit set. If congestion occurs in the network, these frames are the first to be discarded. The options are **0** to **2048**.

**CIR(Kbps)**

The Committed Information Rate (in kbps) is the actual information rate contracted with the carrier. The options are **0** to **2048**. CIR/Bc is used to calculate average data rate.

### 2.3.3 Circuits Screen

The Circuits Screen allows you to identify PVC endpoints and alternate PVCs to serve as backups to the original endpoints if the main link fails. **Endpoints must be inventoried on the PVC Endpoints Screen before they can be used to set up backup circuits.** Figure 2-4 shows a typical Circuits Screen, and Figure 2-5 is an endpoint circuit example. Table 2-4 lists the actions you can perform from the bottom of this screen.

Node_1	P3	FRSx68	Rev	A00-0	Ser	00101	12-31-99	14:33	
page: 1 of 1 FRS CIRCUITS									
STATE	ENDP A	ENDP B	ALT A	ALT B	SWCH A	SWCH B	STATUS		
actv	NY Prm	LA Prm	NY Alt	LA Alt	manual	w/to	AbU		
STATUS: A=PRIM A ACTIVE; a=ALT A ACTIVE; B=PRIM B ACTIVE; b=ALT B ACTIVE U=CONNECTION UP; D=CONNECTION DOWN; REVERSE=WAITING TO SWITCH									
Refresh	New	dEl	pgUp	pgDn	Perf	Status	swA	swB	Main

Figure 2-4. Typical Circuits Screen

Table 2-4. Circuits Screen Actions

Action	Function
Refresh	Redraws the screen.
New	Creates new circuit.
dEl	Deletes the highlighted circuit. You will be prompted with a yes/no question prior to actual deletion of the circuits.
pgUp	Pages up through the circuits.
pgDn	Pages down through the circuits.
Perf	Brings up circuit performance data for the highlighted circuit. See the Circuit Performance Data section of this chapter.
Status	Shows circuit status, as described above.
swA	Used for manually switching from primary endpoint A to alternate endpoint A, and back.
swB	Used for manually switching from primary endpoint B to alternate endpoint B, and back.
Main	Returns to the FRS Card Main Screen. If changes are made to settings and not saved, you will be prompted to save or lose changes.

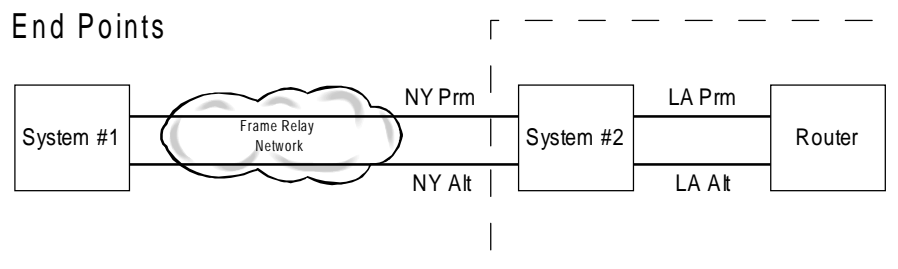


Figure 2-5. Typical Endpoint Circuit

## STATE

The State setting shows the status of the circuit. The options are **stdby** and **actv**. This setting shows the administrative state of the circuit. The operational state of each of the endpoints of the circuit is shown in the STATUS column.

## ENDP A

Endpoint A is the FRS port used to provide service to the primary end of the PVC. All of the endpoint names assigned on the PVC Endpoints Screen (discussed earlier) are eligible options.

**ENDP B**

Endpoint B is the FRS port used to provide service to the secondary end of the PVC. All of the endpoint names assigned on the PVC Endpoints Screen (discussed earlier) are eligible options.

**ALT A**

Alternate Endpoint A is the FRS port used to provide backup service to the primary end of the PVC. All of the endpoint names assigned on the PVC Endpoints Screen (discussed earlier) are eligible options.

**ALT B**

Alternate Endpoint B is the FRS port used to provide backup service to the secondary end of the PVC. All of the endpoint names assigned on the Endpoint screen (discussed earlier) are eligible options.

**SWCH A**

The Switch A setting identifies the method used to switch from the primary Endpoint A to the Alternate Endpoint A. The options are **manual** and **w/to** (with time-out). If **w/to** is chosen, a second setting appears for the user to select the time-out period (in minutes) from **1** to **60**.

In the event of a failure of the primary endpoint, a setting of **manual** allows the user to manually switch from primary to the alternate endpoint. When the primary endpoint is restored, the user must manually switch it back again.

In the event of a failure of the primary endpoint, a setting of **w/to** will automatically switch the PVC from primary to alternate. When the primary endpoint is restored, the system will automatically switch it back again after the predetermined time set by the user.

**SWCH B**

The Switch B setting identifies the method used to switch from the primary Endpoint B to the Alternate Endpoint B. The options are **manual** (pressing “b” from the bottom line of the screen), and **w/to** (with time-out). If **w/to** is chosen, a second setting appears for the user to select the time-out period (in minutes) from **1** to **60**.

In the event of a failure of the primary endpoint, a setting of **manual** allows the user to manually switch from primary to the alternate endpoint if he chooses. When the primary endpoint is restored, the user must manually switch it back again.

In the event of a failure of the primary endpoint, a setting of **w/to** will automatically switch the PVC from primary to alternate. When the primary endpoint is restored, the system will automatically switch it back again after the predetermined time set by the user.

## STATUS

The Status column shows the status of the Primary and Alternate endpoints and the connection of the PVC. You cannot edit this field. The values are “**A**” (Primary A is active), “**B**” (Primary B is active), “**U**” (the connection is up), “**a**” (Alternate A is active), “**b**” (Alternate B is active) and “**D**” (connection is down). Only displays status when “**S**” (**Status**) is selected from the bottom of the screen.

### 2.3.4 Circuit Performance Data Screen

The ACS-FRS card accumulates statistics that show you the performance characteristics of each circuit. To access the Circuit Performance Data Screen, highlight one of the circuits on the Circuits Screen and press “**p**” (**Perf**). Figure 2-6 shows a typical Circuit Performance Data Screen, and Table 2-5 lists the actions you can perform from its bottom line.

The circuit performance data is kept in 15-minute (900 seconds) time increments for a total of 96 periods (24 hours). Each screen shows the current 15 minute segment and the past 12 periods with totals at the bottom of the column. Press “**d**” to page backward through the previous 96 periods, or “**u**” to page forward through these periods. After each period, the oldest 15-minute segment (from exactly 24 hours ago) is discarded. Since information is not updated on screen in real time, you must press “**r**” (**Refresh**) periodically to obtain up-to-date statistics for the current period.

Node_1   P3 FRSx68   Rev A00-0 Ser 00101   12-31-99 14:33							
Circuit NY-LA PERFORMANCE Sec. 240 of 900							
	AB FRAMES	BA FRAMES	AB BYTES	BA BYTES	AB DRP	BA DRP	STATUS
CUR	0	0	0	0	0	0	. . .
01	0	0	0	0	0	0	. . .
02	0	0	0	0	0	0	. . .
03	0	0	0	0	0	0	. . .
04	0	0	0	0	0	0	. . .
05	0	0	0	0	0	0	. . .
06	0	0	0	0	0	0	. . .
07	0	0	0	0	0	0	. . .
08	0	0	0	0	0	0	. . .
09	0	0	0	0	0	0	. . .
10	0	0	0	0	0	0	. . .
11	0	0	0	0	0	0	. . .
12	0	0	0	0	0	0	. . .
TOTAL	0	0	0	0	0	0	. . .

STATUS: A (a) = A SWITCHED to PRIM (alt)    B (b) = B SWITCHED to PRIM (alt)  
 D = CONNECTION DOWN; S = STDBY

Refresh	Clear	pgUp	pgDn	conG	Main
---------	-------	------	------	------	------

Figure 2-6. Typical Circuit Performance Data Screen

Table 2-5. Circuit Performance Data Screen Actions

Action	Function
Refresh	Since performance statistics are not updated on screen in “real” time, the refresh key must be pressed to obtain updated performance figures.
Clear	Clears all performance statistics for the highlighted port.
PgUp	Pages up through the 96 time segments.
PgDn	Pages down through the 96 time segments.
ConG	Brings up the Circuit Congestion Data Screen. See the Circuit Congestion Data section of this chapter.
Main	Returns to the Circuits Screen.

**AB FRAMES**

The AB FRAMES counter shows the total number of frames sent from endpoint A to endpoint B.

**BA FRAMES**

The BA FRAMES counter shows the total number of frames sent from endpoint B to endpoint A during the time period.

**AB BYTES**

The AB BYTES counter shows the total number of bytes sent from endpoint A to endpoint B during the time period.

**BA BYTES**

The BA BYTES counter shows the total number of bytes sent from endpoint B to endpoint A during the time period.

**AB DRP**

The AB DRP counter shows the total number of frames dropped that were sent from endpoint A to endpoint B during the time period.

**BA DRP**

The BA DRP counter shows the total number of frames dropped that were sent from endpoint B to endpoint A during the time period.

**STATUS**

The Status column shows the status of the selected circuit during the 15-minute intervals. The Status values are **A** or **a** (capital **A** means endpoint A was switched from alternate to primary and lower-case **a** means the endpoint A was switched from primary to alternate); **B** or **b** (capital **B** means endpoint B was switched from alternate to primary, lower-case **b** means endpoint B was switched from primary to alternate); **D** (connection was down during that period); and **S** (circuit was placed in standby state during that period).

### 2.3.5 Circuit Congestion Data Screen

The ACS-FRS card also accumulates statistics that show you the congestion characteristics of each of the circuits. To access the Circuit Congestion Data Screen, press “**g**” to invoke the **conG** command in the Circuit Performance Data Screen. Figure 2-7 shows a typical Circuit Congestion Data Screen, and Table 2-6 lists the actions you can perform from its bottom line.

The data on this screen is kept in 15-minute (900 seconds) time increments for a total of 96 periods (24 hours). Each screen shows the current 15 minute segment and the twelve past periods with totals at the bottom of the column. Press “d” to scroll backward through the previous 96 periods, or “u” to scroll forward through these periods. After each period, the oldest 15-minute segment (from exactly 24 hours ago) is discarded. Since information is not updated on screen in real time, you must press “r” (**Refresh**) periodically to obtain up-to-date statistics for the current period.

Node_1	P3	FRSx68	Rev	A00-0	Ser	00101	12-31-99 14:33		
NY - LA		CIRCUIT CONGESTION INFO			Sec. 240 of 900				
	GREEN FR	DROP	YEL FR	DROP	RED FR	DROP	FECN	BE CN	
CUR	0	0	0	0	0	0	0	0	0
01	0	0	0	0	0	0	0	0	0
02	0	0	0	0	0	0	0	0	0
03	0	0	0	0	0	0	0	0	0
04	0	0	0	0	0	0	0	0	0
05	0	0	0	0	0	0	0	0	0
06	0	0	0	0	0	0	0	0	0
07	0	0	0	0	0	0	0	0	0
08	0	0	0	0	0	0	0	0	0
09	0	0	0	0	0	0	0	0	0
10	0	0	0	0	0	0	0	0	0
11	0	0	0	0	0	0	0	0	0
12	0	0	0	0	0	0	0	0	0
TOTAL	0	0	0	0	0	0	0	0	0
Refresh	pgUp	pgDn	A->b	B->a	Main				

Figure 2-7. Typical Circuit Congestion Data Screen

Table 2-6. Circuit Congestion Data Screen Actions

Action	Function
Refresh	Since performance statistics are not updated on screen, you must press “r” to obtain updated performance figures.
pgUp	Pages up through the 96 time segments.
pgDn	Pages down through the 96 time segments.
A->b	Selects the direction of the congestion data.
B->a	Selects the direction of the congestion data.
Main	Returns to the Circuit Performance Data Screen.



**GREEN FR**

The Green Frames counter shows the total number of frames sent on the circuit that fell within the Committed Information rate contracted with the carrier during the time period.

**DROP**

The first DROP shows the number of Green Frames that were dropped by the card during the time period.

**YEL FR**

This counter shows the total number of frames on the circuit that exceeded the Bc rate but were within the Be rate assigned to the endpoint during the time period.

**DROP**

The second DROP shows the number of Yellow Frames that were dropped by the card during the time period.

**RED FR**

This counter shows the total number of frames on the circuit that exceeded the Be rate assigned to the endpoint during the time period.

**DROP**

The third DROP shows the number of Red Frames that were dropped by the card during the time period.

**FECN**

The Forward Error Congestion Notification counter logs the number of frames with the FECN bit set by the system. This flag tells you that congestion avoidance procedures should be initiated.

**BECN**

The Backward Error Congestion Notification counter logs the number of frames with the BECN bit set by the system. This flag tells you that congestion avoidance procedures should be initiated.

### 2.3.6 Port Performance Data Screen

The ACS-FRS card also accumulates statistics that show you the performance characteristics of each active port. To address the Port Performance Data Screen, highlight one of the 68 ports on the ACS-FRS Card Main Screen and press “p” (**Perf**). This will access the Port Performance Data Screen associated with the selected port. Figure 2-8 shows a typical Port Performance Data Screen, and Table 2-7 lists the actions you can perform from its bottom line.

The data on this screen is kept by 15-minute (900 seconds) time increments for a total of 96 periods (24 hours). Each screen shows the current 15 minute segment and the past 12 periods with totals at the bottom of the column. Press “d” to page backward through the previous 96 periods, or “u” to page forward through these periods. After each period, the oldest 15-minute segment (from exactly 24 hours ago) is discarded. Since information is not updated on screen in real time, you must press “r” (**Refresh**) periodically to obtain up-to-date statistics for the current period.

Node_1		P3 FRSx68		Rev A00-0		Ser 00101		12-31-99 14:33	
Port	C1	PERFORMANCE			Sec. 240 of 900				
		FRAME Rx	FRAME Tx	OCTETS Rx	OCTETS Tx	DRPRx	DRPTx	STATUS	
CUR	0	0	0	0	0	0	0	. . . .	
01	0	0	0	0	0	0	0	. . . .	
02	0	0	0	0	0	0	0	. . . .	
03	0	0	0	0	0	0	0	. . . .	
04	0	0	0	0	0	0	0	. . . .	
05	0	0	0	0	0	0	0	. . . .	
06	0	0	0	0	0	0	0	. . . .	
07	0	0	0	0	0	0	0	. . . .	
08	0	0	0	0	0	0	0	. . . .	
09	0	0	0	0	0	0	0	. . . .	
10	0	0	0	0	0	0	0	. . . .	
11	0	0	0	0	0	0	0	. . . .	
12	0	0	0	0	0	0	0	. . . .	
TOTAL	0	0	0	0	0	0	0	. . . .	
STATUS:		T = DTE DOWN		C = DCE DOWN		L = LOOPBACK		S = STDBY	
Refresh	Clear	pgUp	pgDn	Main					

Figure 2-8. Typical Port Performance Data Screen

**Table 2-7. Port Performance Data Screen Actions**

Action	Function
Refresh	Since performance statistics are not updated on screen in “real” time, the refresh key must be pressed to obtain updated performance figures.
Clear	Clears all performance data for the highlighted port.
pgUp	Scrolls up through the 96 time segments.
pgDn	Scrolls down through the 96 time segments.
Main	Returns to the System Main Screen.

**PORT**

The Port setting shows the port number associated with the performance statistics on this screen. This was the port highlighted on the Main screen when the “P” key was pressed.

**FRAME Rx**

The Frame Received column tabulates the total number of frames received during the 15 minute period.

**FRAME Tx**

The Frame Transmitted column tabulates the total number of frames transmitted during the 15 minute period.

**OCTETS Rx**

The Octets Received column tabulates the total number of bytes received during the 15 minute period.

**OCTETS Tx**

The Octets Transmitted column tabulates the total number of bytes transmitted during the 15 minute period.

**DRPRx**

The Dropped (frame) Received column tabulates the total number of frames dropped on port while being received.

**DRPTx**

The Dropped (frame) Transmitted column tabulates the total number of frames dropped before being transmitted during the 15 minute period.

**STATUS**

The Status column shows different status conditions of the port during each 15-minute period. The status codes are listed at the bottom of the screen. The status codes are **T** (DTE down), **C** (DCE down), **L** (loopback), and **S** (standby).

**2.3.7 LMI Data Screen**

Local Management Interface information is displayed on the LMI Data Screen. To access this screen, press “**L**” in the ACS-FRS Card Main Screen to invoke the **Lmi** command. Figure 2-9 shows a typical LMI Data Screen, and Table 2-8 lists the actions you can perform from the bottom line of this screen.

Node_1	P3 FRSx68	Rev A00-0	Ser 00101	12-31-99 14:33
<b>Frame Relay Port C1 Statistics</b>				
DCE	N/A	DTE	N/A	
Status Inq. RX:	0	Status Inq. TX:	0	
Status TX:	0	Status RX:	0	
Async Status TX:	0	Async Status RX:	0	
Seq # Mismatch:	0	Seq # Mismatch:	0	
Timeouts:	0	Timeouts:	0	
Bad HDLC frames:	0			
Invalid frames:	0			
No Route frames:	0			
Refresh	Clear	Main		

**Figure 2-9. Typical LMI Data Screen**

**Table 2-8. LMI Data Screen Actions**

<b>Action</b>	<b>Function</b>
Refresh	Saves changes to settings.
Clear	Returns all settings to the last saved state.
Main	Returns to the System Main Screen.

**STATUS INQ. RX**

The Status Inquiry Received figure shows the total number of status inquiry requests received by the DCE.

**STATUS TX**

The Status Transmitted figure shows the total number of “keep alive” and full status inquiries sent by the DCE.

**ASYNC STATUS TX**

If the ASYNC parameter in the ACS-FRS card Main Screen is set to **yes** for the port, asynchronous status packets transmitted by the DCE are tabulated in this figure.

**SEQ # MISMATCH**

The Sequence Number Mismatch figure shows the total number of sequence number errors have been received by the DCE.

**TIMEOUTS**

The Timeouts figure shows the total number of times that expected requests from the DTE are missed.

**BAD HDLC FRAMES**

The Bad HDLC Frames figure shows the total number of HDLC errors received on this port.

**INVALID FRAMES**

The Invalid Frames figure shows the total number of short frames or frames with invalid FR headers received on this port.

**NO ROUTE FRAMES**

The No Route Frames figure shows the total number of frames received that have incorrect or unknown DLCI for this port.

**STATUS INQ. TX**

The Status Inquiry Transmit figure shows the total number of status inquiry requests transmitted by the DTE.

**STATUS RX**

The Status Received figure shows the total number of “keep alive” and full status inquiries received by the DTE.

**ASYNC STATUS RX**

If the ASYNC parameter in the ACS-FRS card Main Screen is set to **yes** for the port, asynchronous status packets received by the DTE are tabulated in this figure.

**SEQ # MISMATCH**

The Sequence Number Mismatch figure shows the total number of sequence number errors have been received by the DTE.

**TIMEOUTS**

The Timeouts figure shows the total number of times that expected requests from the DTE are missed.

## 2.3.8 Global Setup Screen

The Global Data Screen allows you to identify the frame relay server by its IP address. To access this screen, press “g” in the ACS-FRS Card Main Screen to invoke the **Glob** command. Figure 2-10 shows the Global Data Screen, and Table 2-9 lists the available actions from the bottom line of this screen.

Node_1	P3	FRSx68	Rev A00-0	Ser 00101	12-31-99 14:33
		1			
IP ADDRESS		0.0.0.0			
NETMASK		0.0.0.0			
Save	Undo	Refresh	Main		

Figure 2-10. Global Data Screen

Table 2-9. Global Data Screen Actions

Action	Function
Save	Saves changes to settings.
Undo	Returns all settings to the last saved state.
Refresh	Redraws the screen.
Main	Returns to the System Main Screen. If changes are made to settings and not saved, you will be prompted to save or lose changes.

**IP ADDRESS**

Enter the IP address for the frame relay server in this field.

**NETMASK**

Enter the Netmask address in this field. This is the Netmask for the integrated access system. This address is also assigned on the Interface card's IP Screen.



## 2.4 ACS-FRS Card Error Messages

Refer to Appendix B in the System Reference Guide for further information on Error Messages regarding this card.

## 2.5 ACS-FRS Card Troubleshooting

Problems with a FRS card could indicate a number of causes. Some possibilities are:

- T1 or E1 network failure
- Improper frame relay network configuration
- Improper FRS card configuration
- Improper user card configuration
- Faulty cabling between the DTE and user card
- Improper DTE configuration

Typically, a problem is indicated by the inability to send or receive frame relay traffic through the FRS card. There are numerous ways of isolating and clearing the problem. When troubleshooting frame relay communications problems through an FRS card, follow this general sequence:

1. If all Frame Relay traffic is affected, verify that the US/EUR jumper is correctly placed to match the US/EUR jumper on the chassis. The FRS card performs a self-test on power-up. A “healthy” card will have a green LED lit on the front panel. Do not proceed with further steps until a green LED is present.
2. Verify that the T1 or E1 network is working properly by checking for current CGA-Red and CGA-Yellow alarms (see Chapter 3-A for alarm viewing instructions). If no CGA alarms are present that would affect the frame relay traffic, continue with step 3.
3. Verify that the FRS port is connected to the proper WAN card and time slot or user card port and that the correct type of LMI is selected. If a user card port is used, verify the configuration settings on the user card port and the cable connection to the DTE. The LMI must be UP for data to flow on the circuit. Do not proceed with further steps until the LMI is up.
4. Go to the Port Performance Monitoring Screen by pressing **P** from the FRS Main Screen. Analyze the register and status information provided to help determine the cause of the problem.
5. Go to the Circuits Screen of the FRS card (which can be accessed by selecting **Circ** from the FRS Main Screen). Verify that the affected circuit **STATUS** is up (indicated by a “U”). If it is not up, this may indicate that an LMI is down in the far end of the

circuit. Highlight the affected circuit and type **P** and the performance registers for the circuit will appear. Analyze the information provided to help determine the cause of the problem.

6. Loopbacks are available on the “C” ports only. If a “C” port with an LMI is looped back toward itself, the **PORT TYPE** must be **nni** for the loopback to function.
7. If the FRS card is determined to be faulty, replace it and return the faulty unit for repair to the location specified by your distributor.

# Chapter 3

## MCC Card

### 3.1 Introduction

This chapter provides installation, configuration, and troubleshooting information for the Management Channel Concentrator (MCC) card.

Note that this card is labeled as an ACS card on its faceplate ejector, and it is called an ACS-MCC card only in the user interface screens described in this chapter. Throughout this chapter, it is referred to as the ACS-MCC card.

### 3.2 ACS-MCC Card Descriptions

#### 3.2.1 ACS-MCC Card Description (8813)

The ACS-MCC card allows you to manage remote integrated access systems by using TCP/IP or SNMP/UDP/IP communication protocols. The control link to each remote system can be the FDL (Facility Data Link) bits of an ESF-framed T1 line. Or, for an E1 line, this link can use the SA4 bits in the frame alignment words of the E1 signal. Full time slot B7R requires a DACSII 6.1 or equivalent. *MCC doesn't talk direct to FDL link, this requires a DACs to convert full timeslot B7R to B4R.*

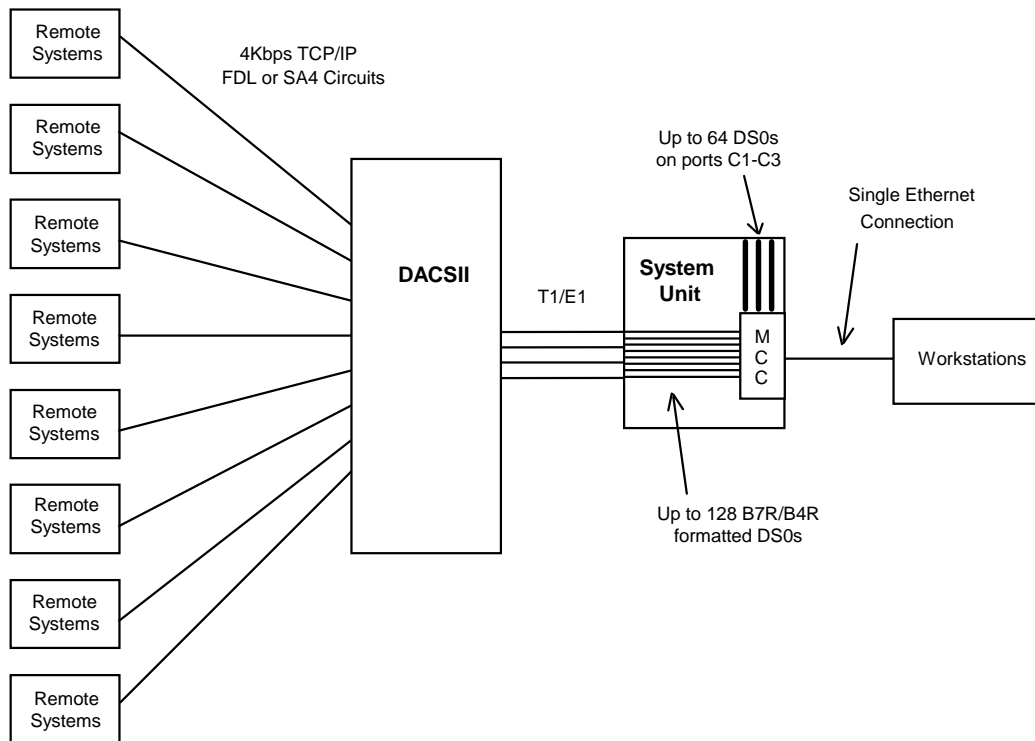
The ACS-MCC card incorporates four Munich32 chips (two on the main board and two on a daughterboard), which allow up to 128 WAN interfaces. The ACS-MCC card also supports three configurable high-speed ports (C1, C2, and C3), plus an Ethernet 10Base-T port for LAN routing management.

The MCC can route IP datagrams between all of its interfaces, based on each datagram's IP destination address. Datagrams are directed (or routed) to the interface carrying the sub-net to which the datagram belongs or is being transported to, according to the content of the routing table. The routing table may be supplied with dynamic routes from the Routing Information Protocol (RIP) when enabled. If no match is found in the routing table, a default route can be designated to direct all unresolved datagrams to a specific interface.

Figure 3-1 shows the role of the ACS-MCC card in a Network Management System. Both SNMP alarm traps and TELNET configurations run over this path. They can use the FDL (T1 line), the SA4 bit of the frame alignment word (E1 line), or a full DS0 time slot of a T1 or E1 line.

The FDL is a 4 kbps channel that uses every other framing bit of the T1 extended superframes. When the FDL is used for remote system control via TCP/IP, T1 performance statistics are not gathered.

The SA4 bit of the E1 frame alignment word is the first bit of time slot 0 of each frame. This bit is called the *national* bit; it also comprises a 4 kbps data channel.



**Figure 3-1. Typical MCC Application**

If the FDL is used to transmit and receive information, a DACSII (6.1 or higher) must be used to convert the FDL/IP information into DS0. On point-to-point circuits, the DACSII is not needed. The MCC can also be used to create larger "trees" in which the high-speed ports (C1, C2, and C3) can interconnect the different ACS-MCC cards in the hierarchy.

### 3.2.1.1 Jumper/Switch Settings

The ACS-MCC card does not have any jumpers or switch settings.

### 3.2.1.2 Installing the Card

Insert the ACS-MCC card into one of the server card chassis slots (P1 to P3). The system can accommodate up to three server cards.

### 3.3 ACS-MCC Card User Screens and Settings

#### 3.3.1 ACS-MCC Card Main Screen (Ethernet Port Configuration)

The ACS-MCC card routes datagrams onto Ethernet at the NMS site for communications with the NMS. Figure 3-2 shows the ACS-MCC Card Main Screen, in which you must set various parameters for the Ethernet interface. To go to this screen, highlight the desired card in the System Main Screen and press <Enter>.

```

Node_1 | P1 MCC | Rev A1-0 | Ser 00101 | 12-31-99 14:33
Version #:1.1
STATE          E
STATE          stdbY
IPADDR         ip
NETMASK        ip
DEF RT         static
RIP            off
SH             off
WEIGHT         01
FMT-MAIN       bxr
FMT-SUB        bxr
IF-TYPE        unnum

Save | Undo | Refr | Copy | < | > | porT | Nstat | Main

```

**Figure 3-2. Typical ACS-MCC Card Main Screen**

The bottom highlighted line of this screen shows numerous actions that you can perform from this screen. To perform the desired action, simply press the key shown by a uppercase letter. For example, to save your configuration settings, press “s” to invoke the **Save** command. Table 3-1 lists the available screen actions, and Table 3-2 summarizes the ACS-MCC card Main Screen parameters and available option settings. These parameters and settings are also described in the following paragraphs.

Table 3-1. Main Screen Actions

Action	Function
Save	Saves changes to settings.
Undo	Returns all settings to the last saved state.
Refresh	Redraws the screen.
Copy	Copies the contents of the current column to the next column. Useful if you change a lot of entries in one column and want to repeat those changes in subsequent columns.
<	The “less than” symbol scrolls backward through the 128 ports associated with this card.
>	The “greater than” symbol scrolls forward through the 128 ports associated with this card.
porT (C1-C3)	The port option allows you to “jump” to a specific port. Enter the number of the port you wish to see, press the <Enter> key, and the requested port will be displayed. To return to the Main Screen, press “e” and then press <Enter>.
Nstat	Displays the Network Data Screen.
Main	Returns to the System Main Screen. If changes are made to settings and not saved, you will be prompted to save or lose changes.

Table 3-2. Main Screen Option Settings and Defaults

Parameter	User Options	Default
STATE	stdby actv	stdby
IPADDR	ip	0.0.0.0
NETMASK	ip	0.0.0.0
DEF RT	none stat dyn	none
RIP	off rx tx rx/tx	off
SH	off on	off
WEIGHT	01-15	01
FMT-MAIN	bxr hdlc	bxr
FMT-SUB	bxr hdlc	bxr
IF-TYPE	unnum num	unnum

## STATE

The State setting determines whether the port is active or inactive. Set the State to **stdby** (standby) to disable the Ethernet port, or choose **actv** (active) to enable the port.

## IPADDR

When configured for unnumbered interfaces, the IP Address setting identifies the global IP Address of the MCC. This address is thus valid regardless of the state of the Ethernet port. When configured for numbered interfaces, the IP address of the Ethernet port identifies the IP address of the Ethernet interface only.

## NETMASK

The IPADDR together with the NETMASK identifies the IP network for the Ethernet interface. Any valid netmask address is acceptable.

## DEF RT

The Default Route setting identifies the IP Address of the port used to forward IP datagrams with destination unknown to the MCC. When **stat** (static) is selected, the IP address must be entered by the user. When **dyn** (dynamic) is selected, the IP address is dynamically assigned by a router. RIP must be turned on if **dyn** is selected. The default is **none**.

## RIP

When the Routing Information Protocol (RIP) setting is **off** (default), no RIP traffic is allowed into or out of the Ethernet interface. Setting this variable to **rx** allows incoming RIP traffic only, while setting it to **tx** allows only outgoing RIP traffic. Setting this variable to **rx/tx** allows both incoming and outgoing RIP traffic.



*Note: Due to the high number of interfaces on the ACS-MCC card and the relatively low bandwidth of the Munich interfaces, you should be careful when implementing the RIP option.*

## SH

When the Split Horizon (SH) variable is set to **on**, the ACS-MCC card does not automatically send RIP information along routes it "learned" through the same interface. The default is **off**.

## WEIGHT

The Weight parameter assigns a weighting variable to the specified interface. The number must be between **1** and **15**. The default is **1**.

## FMT-MAIN

This parameter is used to indicate the format of the 64 ports on the main board. When **bxr** is selected, ports 1 through 64 are configured to B4R (E1) or B7R (T1). When **hdlc** is selected, ports 1 through 64 are configured to 64 kbps. (See note below for exception.)

## FMT-SUB

This parameter is used to indicate the format of the 64 ports on the sub-board. When **bxr** is selected, ports 65 through 128 are configured to B4R (E1) or B7R (T1). When **hdlc** is selected, ports 65 through 128 are configured to 64 kbps. (See note below for exception.)



**Note:** *The only invalid configuration for FMT-MAIN and FMT-SUB occurs when FMT-MAIN = **bxr** and FMT-SUB = **hdlc**. This configuration is not supported.*

## IF-TYPE

The IF-TYPE parameter determines the IP addressing scheme to be used by all interfaces (except the Ethernet interface, which is always numbered). The default option is **unnum**, which causes the interfaces to be unnumbered. When configured in this manner, the MCC is addressed through the global IP address of the Ethernet interface, regardless of the originating interface, and the IP address of all interfaces (except the Ethernet interface) is determined by the interface on the remote end. Selecting **unnum** may help conserve IP address, but may not be compliant with the HP OpenView network management system.

The **num** option allows for numbered interfaces. When this option is selected, each interface is assigned a local IP address on the same network as (but different from) the remote device. Two broadcast IP addresses are also reserved for each interface, for a total of four IP addresses per port. Numbered interfaces are industry-standard, and are compliant with the HP OpenView network management system.

### 3.3.1.1 C-Port and Numbered Port Configuration (1.1 Version Only)

After establishing the card's Ethernet parameter settings, configure the card's ports. From the ACS-MCC Card Main Screen, press "**t**" (**porT** command) to go to its ports. The ACS-MCC card has three high-speed ports (C1, C2, and C3) and 128 other ports (1 to 128), in addition to the Ethernet port.

Table 3-3 shows a typical C-Port Screen. After pressing "**t**" above, choose the C-ports (C1, C2, and C3) and 128 other ports (1 to 128) to view this screen.



Node_1	P1	MCC	Rev	A01-0	Ser	00101	12-31-99	14:33
Version #:1.1								
			C1	C2	C3			
STATE			stdby	stdby	stdby			
WAN/SERV			none	none	none			
TS			n/a	n/a	n/a			
IP ADDR			ip	ip	ip			
NETMASK			ip	ip	ip			
FORMAT			hdlc	hdlc	hdlc			
RIP			off	off	off			
SH			off	off	off			
WEIGHT			01	01	01			
Save	Undo	Refresh	Copy	<	>	port	Netstat	Main

**Figure 3-3. Typical C-Port Screen**

The “less than” (<) and “greater than” (>) keys allow you to scroll through the other numbered ports associated with this card. Figure 3-4 shows a Typical Numbered Port Screen. Table 3-2 lists the options and defaults for the card ports.

Table 3-3 lists the actions you can perform from either screen. To perform an action, press the key indicated by the capitol letter on the bottom highlighted line of the screen.

Table 3-4 lists the Port Assignment Screen parameters and available setting. These are also described in the following paragraphs.

Node_1	P1	MCC	Rev	A01-0	Ser	00101	12-31-99	14:33
Version #:1.1								
	1	2	3	4	5	6	7	8
STATE	stdby	stdby	stdby	stdby	stdby	stdby	stdby	stdby
WAN/SERV	none	none	none	none	none	none	none	none
TS	n/a	n/a	n/a	n/a	n/a	n/a	n/a	n/a
IP ADDR	ip	ip	ip	ip	ip	ip	ip	ip
NETMASK	ip	ip	ip	ip	ip	ip	ip	ip
FORMAT	b7r	b7r	b7r	b7r	b7r	b7r	b7r	b7r
RIP	off	off	off	off	off	off	off	off
SH	off	off	off	off	off	off	off	off
WEIGHT	01	01	01	01	01	01	01	01
Save   Undo   Refresh   Copy   <   >   porT   Netstat   Main								

Figure 3-4. Typical Numbered Port Screen

Table 3-3. Port Assignment Screen Actions

Action	Function
Save	Saves changes to settings.
Undo	Returns all settings to the last saved state.
Refresh	Redraws the screen.
Copy	Copies the contents of the current column to the next column. Useful if you change a lot of entries in one column and want to repeat those changes in subsequent columns.
<	Scrolls backward through the 128 ports associated with this card.
>	Scrolls forward through the 128 ports associated with this card.
porT (C1-C3)	The port option allows you to “jump” to a specific port. Enter the number of the port you wish to see, press the <Enter> key, and the requested port will be displayed. To display the Ethernet port, press "e" and then press <Enter>.
Nstat	Displays the Network Data Screen for the current port.
Main	Returns to the System Main Screen. If changes are made to settings and not saved, you will be prompted to save or lose changes.

Table 3-4. Port Screen Option Settings and Defaults

Parameter	User Options	Notes	Default
STATE	stdby actv		stdby
WAN	none w1-1 through w4-2		none
TS	n/a 1-24 1-31		n/a
IPADDR	ip		0.0.0.0
NETMASK	ip		0.0.0.0
FORMAT	b7r b4r hdlc fr	1	see note 1
RIP	off rx tx rx/tx		off
SH	off on		off
WEIGHT	1-15		1

**Notes:**

1. For ports C1, C2, and C3, the options are **hdlc** (default) and **fr**. For ports 1 to 128, the options are **b7r** (default) and **b4r**.

**STATE**

The State setting determines whether the port is active or inactive. Set the State setting to **stdby** (standby) for ports you are not using or have not yet configured. Set it to **actv** (active) for ports that are ready for use.

**WAN**

The WAN setting identifies the WAN link on which the system information is sent. This signal will come from either the distant system unit or the DACSII™. The options are **none** and **w1-1** to **w4-2**. Ports 65 to 128 are limited to WAN links **w2-1** through **w4-2**.

**TS**

The Time Slot setting identifies the specific time slot on the WAN link (from the previous paragraph) used for this particular port. The options are **n/a**, **1-24** (for T1 links) and **1-31** (for E1 links).

**IP ADDR**

The IP Address setting identifies the IP Address of the remote end. Any unique valid IP address is acceptable.

## NETMASK

The NETMASK setting together with the IP ADDR identifies the network for this port.

## FORMAT

The Format setting determines the format of the information received from the remote system unit. For the numbered ports (1-128), the options are **b7r** (for T1 links) and **b4r** (for E1 links). For ports C1-C3, the options are **hdlc** (high-level data link control) and **fr** (frame relay). If **fr** is selected, the user must select a DLCI (data link connection identifier), which corresponds to the virtual circuit number of the frame relay destination address. When more than one TS is selected, the MTU is 1,500. The internal MTU is expanded by four on the WAN segment to allow 1,500 byte frames to pass with the addition of the frame relay header without fragmentation. When **fr** is selected, more than one TS must be allocated.

## RIP

When the Routing Information Protocol (RIP) setting is off (default), no RIP traffic is allowed into or out of the Ethernet interface. Setting this variable to rx allows incoming RIP traffic only, while setting it to tx allows only outgoing RIP traffic. Setting this variable to rx/tx allows both incoming and outgoing RIP traffic.



***Note:** Due to the high number of interfaces on the ACS-MCC card and the relatively low bandwidth of the Munich interfaces, the user should be cautious about implementing the RIP option, as there is a substantial risk of broadcast storms causing congestion in the network.*

## SH

When the Split Horizon (SH) variable is set to **on**, the ACS-MCC card does not automatically send RIP information along routes it "learned" through the same interface. The default is **off**.

## WEIGHT

The Weight parameter assigns a weighting variable to the specified interface. The number must be between **1** and **15**. The default is **1**.

## NETWORK DATA

The Network Data Screens provide maintenance and diagnostics information for this equipment. Statistics begin to accumulate when the port is changed from **stdby** to **actv** and they continue to store information until the port is changed back to **stdby**. These are status information screens; you cannot edit their data.

### 3.4 Network Port Statistics Screen

Figure 3-5 shows typical statistics for a network port (in this case, C1 port). To view this data, type “n” in the ACS-MCC Card Main Screen to invoke the **Nstat** command. Then, enter the desired port number. This data is described in the following paragraphs.

Node_1		P1	MCC	Rev A1-0	Ser 00101	12-31-99	14:33
PORT C1 INTERFACE							
In Packets							0
In Octets							0
In Discards							0
In Errors							0
Out Packets							0
Out Octets							0
Out Discards							0
Out Errors							0
interFace		Ip	Refresh	Main			

Figure 3-5. Typical Network Port Data Screen

#### IN PACKETS

The In Packets counter shows the total number of packets received from the remote systems through this port.

**IN OCTETS**

The In Octets counter shows the total number of octets received from the remote systems for this port.

**IN DISCARDS**

The In Discards counter shows the total number of packets received from the remote systems and discarded due to lack of resources for this port.

**IN ERRORS**

The In Errors counter shows the total number of packets received from the remote systems that had CRC errors when received.

**OUT PACKETS**

The Out Packets counter shows the total number of packets sent to the remote systems by the NMS equipment.

**OUT OCTETS**

The Out Octets counter shows the total number of octets sent to the remote systems by the NMS equipment.

**OUT DISCARDS**

The Out Discards counter shows the total number of packets that were sent to the remote systems and discarded due to lack of resources.

**OUT ERRORS**

The Out Errors counter shows the total number of errors related to packets transmitted.

Table 3-5 lists the other actions you can perform from the Network Port Statistics Screen. These actions appear on the bottom highlighted line of the statistics screen. To perform an action, just press the letter that corresponds to the uppercase letter associated with the desired action.

Table 3-5. Network Port Data Screen Actions

Action	Function
interFace	Switches from the IP Data Screen to the Interface Data Screen.
Ip	Switches from the Interface Data Screen to the IP Data Screen.
Refresh	Data collection is not updated automatically. Pressing the “r” key will update all data fields.
Main	Returns to the System Main Screen.

### 3.4.1 MCC Protocol Stack Data Screen

Figure 3-6 shows typical statistics for the ACS-MCC card protocol stack. To display this data, press “i” in the Network Port Statistics Screen to invoke the **Ip** command. These statistics are described in the following paragraphs.

```

Node_1 | P1 MCC | Rev A01-0 | Ser 00101 | 12-31-99 14:33
-----|-----|-----|-----|-----
ACS-MCC CARD PROTOCOL STACK STATISTICS

---IP Netstack ---
Datagrams In                0
Input Datagrams Discarded   0
Output Datagrams Discarded  0
Datagrams Forwarded         0
Requests Out                 0
---ICMP Netstat---
In Messages                  0
Out Messages                  0
In Errors                     0
In Echo Requests             0
In Echo Replies              0
Out Echo Requests            0
Out Echo Replies             0
In Destination Unreach      0
Out Destination Unreach     0

interFace | Ip | Refresh | Main

```

Figure 3-6. Typical MCC Protocol Stack Data Screen

**DATAGRAMS IN**

The Datagrams In counter shows the total number of IP datagrams received from the remote systems.

**INPUT DATAGRAMS DISCARDED**

The Input Datagrams Discarded counter shows the total number of IP datagrams received that were discarded.

**OUTPUT DATAGRAMS DISCARDED**

The Output Datagrams Discarded counter shows the total number of IP datagrams sent to the remote system and discarded.

**DATAGRAMS FORWARDED**

The Datagrams Forwarded counter shows the total number of IP datagrams that were received from the remote systems and then forwarded.

**REQUESTS OUT**

The Requests Out counter shows the total number of IP datagrams that originated at the MCC.

**IN MESSAGES**

The In Messages counter shows the total number of ICMP messages sent by the remote systems.

**OUT MESSAGES**

The Out Messages counter shows the total number of ICMP messages sent to the remote systems.

**IN ERRORS**

The In Errors counter shows the total number of ICMP messages sent by the remote systems and had errors when received.



**IN ECHO REQUESTS**

The In Echo Requests counter shows the total number of ICMP echo requests sent by the remote systems.

**IN ECHO REPLIES**

The In Echo Replies counter shows the total number of ICMP echo replies sent by the remote systems.

**OUT ECHO REQUESTS**

The Out Echo Requests counter shows the total number of ICMP echo requests sent to the remote systems.

**OUT ECHO REPLIES**

The Out Echo Replies counter shows the total number of ICMP echo replies sent to the remote systems.

**IN DESTINATION UNREACH**

The In Destination Unreachable counter shows the total number of “destination unreachable” requests sent by the remote systems.

**OUT DESTINATION UNREACH**

The Out Destination Unreachable counter shows the total number of “destination unreachable” requests sent to the remote systems.

## 3.5 ACS-MCC Card Error Messages

Refer to Appendix B in the System Reference Guide for further information on Error Messages regarding this card.

## 3.6 ACS-MCC Card Troubleshooting

MCC card problems could indicate a number of possible causes, including:

- Misconfigured IP parameter at the far end
- Faulty cabling between the MCC LAN port and the LAN
- T1 or E1 network failure
- Improper network configuration
- Improper MCC card configuration

Typically, a problem is indicated by the inability to route IP traffic to/from or through the MCC card. You can perform numerous tasks to isolate the trouble and clear it. When troubleshooting problems on IP communications through an MCC card, follow this general sequence:

1. If all IP traffic is affected, verify that the US/EUR jumper is correctly placed to match the US/EUR jumper on the chassis. The MCC card performs a self-test on power-up. A “healthy” card will have a green LED lit on the front panel. Do not proceed with further steps until a green LED is present.
2. Verify that the Ethernet Port (**E**) is **actv** and that the correct IP address (**IPADDR**) and **NETMASK** have been entered. At this point, attempt to “ping” (from the CPU card TCP/IP screen) the IP address of the MCC Ethernet port from another device on the LAN. Pressing **N** from this screen will display the Network Statistic registers for the Ethernet port. Analyze the information to determine the cause of the failure. Do not proceed with further steps until this ping is successful.
3. From the CPU Main Menu screen, go to the TCP/IP screen by pressing **I**. Verify that the options and addresses on the TCP/IP screen are correct. Press “**P**” (for ping) and enter the IP address of the MCC card Ethernet port.
4. If Step 3 is not successful, verify that the **DEFAULT IP PORT** is set to **serv** and that the **DEFAULT IP SLOT** is set to the chassis slot in which the MCC card resides (**P1**, **P2**, or **P3**). At this point, attempt to ping the card again by pressing **P**. Do not proceed until this ping is successful.
5. Verify that the T1 or E1 network is working properly by checking for current CGA-Red and CGA-Yellow alarms. If no CGA alarms are present that would affect IP traffic, continue with step 6.

6. Verify the configuration settings for the affected MCC port. Be sure the port is connected to the proper WAN card and port, that the correct **FORMAT** is selected and that the appropriate IP address (**IPADDR**) and **NETMASK** have been entered. If these assignments appear correct, go back to the CPU TCP/IP menu and ping the address of the remote device connected to that MCC port. If this is not successful, ping back toward the MCC card from the remote device. Pressing **N** from the MCC card Port screen will display the Network Statistic registers for the port. Analyze the information to help determine the cause of the failure. The problem may be either in the network between the MCC port and the remote device, or incorrect IP addressing/configuration of the remote device.
7. If the MCC card is determined to be faulty, replace it and return the faulty unit for repair to the location specified by your distributor.



# Chapter 4

## ATM Card

### 4.1 Introduction

This chapter provides installation, configuration, and troubleshooting information for the Asynchronous Transfer Mode (ATM) Server Card.

Note that this card is labeled as an ACS card on its faceplate ejector. It is called an ATM card only in the user interface screens described in this chapter. Throughout this chapter, it is referred to as the ACS-ATM card.

The acceleration in ATM deployment has created an opportunity for users to migrate legacy applications to both the private ATM backbone and to public ATM services. The incentives for integrating the existing applications with the typically higher-speed ATM traffic are primarily financial in nature, but another significant benefit is the resultant streamlining of network operations and management.

### 4.2 ACS-ATM Card Descriptions

#### 4.2.1 ACS-ATM Card Description (8820)

The ACS-ATM card is a high-performance server card designed to concentrate the entire bandwidth of the integrated access system into a high-speed ATM link. The input to this card is derived from WAN T1 and/or E1 interfaces, from any of the user cards in the system's eight chassis user slots and an ethernet port. All existing user interfaces are supported, including voice and data.

The card currently supports a DS3 electrical interface. In this release, only the UNI is supported. The ACS-ATM card circuitry is capable of supporting ATM Adaptation Layers AAL0, AAL1, AAL3, AAL4, and AAL5.

The ACS-ATM card connects a wide range of equipment to an ATM network, including analog PBX/key systems, digital PBXs, low-speed data terminal equipment, N x 56/64 kbps data terminal equipment, and video codecs.

The ACS-ATM card consists of a main board and sub-module card. The main board is a variation of the existing Advanced Communication Server (ACS). The sub-module card handles all ATM functionality's, including the Physical Layer, ATM Layer, and Adaptation Layer. ATM connectivity is provided to and from the following system cards:

- WAN (all card types)
- HSU (all card types)
- FXS, FXO, FXS-C, FXO-C
- E&M (all card types)
- BRI (U\*8 and SC cards only)
- FRAD 232\*10

Incoming traffic is directed through the internal bus system to the ACS-ATM card, which provides adaptation and encapsulation. The ATM output in the first release of the product is an electrical DS3. Typically, the ATM connection is a local ATM switch which multiplexes virtual circuits originating from the IMACS with other high-speed traffic. The ACS-ATM card is capable of handling both Variable Bit Rate and Constant Bit Rate Applications.

#### **4.2.1.1 Card Jumpers/Switch Settings**

The ACS-ATM card does not have any jumpers or switches on its motherboard.

#### **4.2.1.2 Installing the Card**

Insert the ACS-ATM card into one of the server card chassis slots (P1 to P3). The system can accommodate up to three server cards

## 4.3 ACS-ATM Card User Screens and Settings

### 4.3.1 ACS-ATM Card Main Screen

You must configure the ACS-ATM card's DS3 port for operation after installing it in the system chassis. This is done from the ACS-ATM Card Main Screen, which is shown in Figure 4-1. To go to this screen, highlight the desired card in the System Main Screen and press <Enter>.

```

Node_1 | P3 AAM-DS3 | Rev A0-0 Ser 00101 | 12-31-99 14:33
-----|-----|-----|-----|-----|-----|-----|-----|
                1
STATE          stdby
FORMAT         Cbit
CELL FRM       plcp
LB CFG         off
LB GEN         off
LB DET         off
TX CLKSRC     line
TX-RX SCRAM   yes
TX-LBO        off
IDLE-UASN     uasn
-----|-----|-----|-----|-----|-----|-----|-----|
Save | Undo | Refresh | uNi | Vbr | Cbr | Perf | Main

```

**Figure 4-1. Typical ACS-ATM Card Main Screen (DS3)**

Table 4-1 lists the actions you can perform from the bottom highlighted line of this screen. To choose an action, type the letter that corresponds to the uppercase letter of the desired action on this line. For example, to save your option settings, press “s” (for **Save**).

Table 4-2 lists the screen parameters and the possible and default settings.

**Table 4-1. ACS-ATM Card Main Screen Actions (DS3)**

Action	Function
Save	Saves changes to settings.
Undo	Returns all settings to the last saved state.
Refresh	Redraws the screen.
uNi	Brings up the User Network Interface (UNI) Configuration Screen.
Vbr	Brings up the Variable Bit Rate (VBR) Configuration Screen.
Cbr	Brings up the Constant Bit Rate (CBR) Configuration Screen.
Perf	Brings up the DS3 Port Performance Data Screen.
Main	Returns to the System Main Screen. If changes are made to settings and not saved, you will be prompted to save or lose changes.

**Table 4-2. ACS-ATM Card Main Screen Options and Defaults (DS3)**

Parameter	User Options	Default
STATE	stdby actv	stdby
FORMAT	Cbit M23	Cbit
CELL FRM	plcp hcs	plcp
LB CFG	off local line payld cell	off
LB GEN	off line payload reset	off
LB DET	off on w/to	off
TX CLKSRC	line plcp	line
TX-RX SCRAM	yes no	yes
TX-LBO	off on	off
IDLE-UASN	uasn idle	uasn

**STATE (DS3)**

The State setting determines whether the port is active or inactive. Set State to **stdby** (standby) for ports not being used or not yet configured. Set it to **actv** (active) for ports that are ready for use for ATM traffic.

**FORMAT (DS3)**

The Format setting indicates the variety of DS3 C-bit application used by this port. The choices are **Cbit** and **M23**. This parameter is defined in RFC 1407.

**CELL FRM (DS3)**

The Cell Framing setting indicates the way ATM cells are constructed from the DS3 bitstream. The two options are **plcp** (cells are constructed from the PLCP mapping bits) and **hcs** (the cells are constructed from the HEC in the cell header).



### LB CFG (DS3)

The Loopback Configuration setting shows the loopback status of the local interface. The **off** state indicates that no loopback is present. The **local** state shows that the transmitted signal at the interface is looped back to the receiver. The **line** state shows that the received signal is looped back to the sender before this interface. The **payld** (payload) state indicates that the received signal is looped back after passing through the ports reframing function. The **cell** state indicates that the received cells are looped back to the transmit FIFO for retransmission before passing through the receive FIFO. **The payld and cell are ONLY used for DS3.**

### LB GEN (DS3)

The Loopback Generate setting indicates the type of loopback command to be sent to the remote system. The **off** setting tells the remote system that the transmitted signal is either looped or normal data. The **line** setting sends a request to the remote system for a local loopback (see above). The **payld** setting sends a request for a payload loopback. The **reset** setting tells the remote system to deactivate loopbacks. The **test** setting sends a test pattern to the remote system. This pattern will be a user-generated cell running AAL0 through ALC on a specific VCI.

### LB DET (DS3)

The Loopback Detect setting tells the system to either detect or ignore remote loopback requests. The **off** option tells the system to ignore remote loopback requests. The **on** option tells the system to detect remote loopback commands. The system then loops data back in the format specified until the remote equipment releases the loopback. The **w/to** (with timeout) setting is the same as the **on** setting, but after 10 minutes the loopback is automatically released.

### TX CLKSRC (DS3)

The Transmit Clock Source setting allows you to indicate the source of the transmit clock. The options are **line** (source is the DS3 receive line rate) and **plcp** (source is the PLCP frame receive rate). The last setting is valid only if Cell Framing is set to **plcp** (see above).



*Note:* An Interface Card is required to derive timing from the DS3 line.

### TX-RX SCRAM (DS3)

The Transmit-Receive Scramble setting will show if the transmitted and received data is scrambled to maintain minimum-ones density. The options are **yes** and **no**.

**TX-LBO (DS3)**

If the distance between the DS3 switch and the system unit is short (less than 225 feet), signal attenuation may be needed. The Transmit Line Build-Out setting activates this feature. The options are **off** for distances greater than 225 feet, and **on** for distances less than 225 feet.

**IDLE-UASN (DS3)**

The Idle-Unassigned Cells setting will show if idle or unassigned cells should be sent when actual data is not being sent. The options are **idle** and **uasn**.

**4.3.2 UNI (User Network Interface) Screen**

The UNI Screen is used to set up the ATM UNI link. Figure 4-2 shows a typical UNI Screen. To go to that screen, press “n” (**uNi** command) in the ACS-ATM Card Main Screen. Table 4-3 lists the possible actions you can perform from the UNI Screen, and Table 4-4 lists the option settings and defaults.

```

Node_1 | P3 AAM-DS3 | Rev A0-0 Ser 00101 | 12-31-99 14:33
Version #: 1.10
          1
STATE          stdby
VPC SUPPORT    no
MAX VPCS       1
VPI            0
MAX VCCS       1023
VCI WIDTH      10
LOC IP ADDR    0.0.0.0
LOC NETMASK    0.0.0.0
MGMT CONN      pvc
MGMT VCI       33

IP-02 VCI     0
IP-03 VCI     0
IP-04 VCI     0
IP-05 VCI     0
IP-06 VCI     0
IP-07 VCI     0
IP-08 VCI     0

Save | Undo | Refresh | Copy | Perf | Main

```

**Figure 4-2. Typical UNI Screen**

**Table 4-3. UNI Screen Actions**

Action	Function
Save	Saves changes to settings.
Undo	Returns all settings to the last saved state.
Refresh	Redraws the screen.
Copy	Copy option is not available in this host release
Perf	Brings up the UNI Performance Data Screen.
Main	Returns to the ACS-ATM Card Main Screen. If changes are made to settings and not saved, you will be prompted to save or lose changes.

**Table 4-4. UNI Screen Options and Defaults**

Parameter	User Options	Notes	Default
STATE	stdby actv		stdby
VPC Support	no		no
MAX VPCS	1		1
VPI	0-15		0
MAX VCCS	63-1023		1023
VCI WIDTH	6-10		10
LOC IP ADDR	A valid IP address		0.0.0.0
LOC NETMASK	A valid IP address		0.0.0.0
MGMT CONN	pvc none		pvc
MGMT VCI	33-1023 n/a	1	33
IP-02 VCI	Any unique VCI from 33 to 1023	1	0
IP-03 VCI	Any unique VCI from 33 to 1023	1	0
IP-04 VCI	Any unique VCI from 33 to 1023	1	0
IP-05 VCI	Any unique VCI from 33 to 1023	1	0
IP-06 VCI	Any unique VCI from 33 to 1023	1	0
IP-07 VCI	Any unique VCI from 33 to 1023	1	0
IP-08 VCI	Any unique VCI from 33 to 1023	1	0

**Notes:**

1. Each ATM Card has up to eight logical ports that can be assigned as management channels in an IP network that is not managed with a BxR or MCC Card. These ports are assigned from the IP Routing Screen on the CPU Card, using the slot that contains the local ATM card, and the unit numbers 1-8. Once established, the VCI parameters **MGMT VCI** and **IP-0x VCI** are used to assign virtual channel identifiers for each port.

## STATE

The State setting determines whether the port is active or inactive. Select **stdby** (standby) for ports you are not using or have not yet configured. Or, select **actv** (active) for ports ready to be used for ATM traffic.

## VPC SUPPORT

The Virtual Path Connection Support setting indicates whether or not VPCs are supported. In this revision, VPCs are not supported, so the only option available is **no**.

## MAX VPCS

This setting defines the maximum simultaneous, end-to-end Virtual Path Connections that can exist on the UNI port. In this revision, MAX VPCs are not supported, so the only option available is **1**.

## VPI

The Virtual Path Identifier is the ATM connection identification number provided by the carrier for each service application. The options are **0 (zero)** to **15**.

## MAX VCCS

The Maximum Virtual Channel Connections indicates the number of simultaneous VC connections that can exist on the UNI port. The options are **63** to **1023**.

## VCI WIDTH

The Virtual Channel Width setting indicates the number of bits in the VCI field of the cell header that is interpreted. The options are **6** to **10**.

## LOC IP ADDR

The Local IP Address is used to identify the global IP address of the ATM card. Any valid IP address may be used. (For information regarding IP network design, contact your system administrator.) The default is **0.0.0.0**.

### LOC NETMASK

The Local Netmask is used in conjunction with the Local IP Address to identify the IP network for the ATM card. Any valid IP Netmask may be used. (For information regarding IP network design, contact your system administrator.) The default is **0.0.0.0**.

### MGMT CONN

The Management Connection setting indicates if the ATM connection for management purposes is a switched virtual circuit (using the FORE SPANS protocol) or a permanent virtual circuit. The options are **pvc** and **none**. If set to **none**, all other Network Management functions will not work.

### MGMT VCI

The Management Virtual Channel Identifier is the VCI for the Permanent Virtual Connection to the Network Management System. It is only supported when **pvc** is selected from the MGMT CONN field above. The options are **33** to **1023**.

### IP-02 VCI

The IP-02 VCI parameter allows the user to specify a VCI on the ATM card that is different from the Management VCI to be used as a remote network management channel. Each ATM card can support up to 8 network management channels (MGMT VCI and IP-02 VCI through IP-08 VCI), which are assigned from the CPU's IP Routing Screen.

### IP-03 VCI

The IP-03 VCI parameter allows the user to specify a VCI on the ATM card that is different from the Management VCI to be used as a remote network management channel. Each ATM card can support up to 8 network management channels (MGMT VCI and IP-02 VCI through IP-08 VCI), which are assigned from the CPU's IP Routing Screen.

### IP-04 VCI

The IP-04 VCI parameter allows the user to specify a VCI on the ATM card that is different from the Management VCI to be used as a remote network management channel. Each ATM card can support up to 8 network management channels (MGMT VCI and IP-02 VCI through IP-08 VCI), which are assigned from the CPU's IP Routing Screen.

### IP-05 VCI

The IP-05 VCI parameter allows the user to specify a VCI on the ATM card that is different from the Management VCI to be used as a remote network management channel. Each ATM card can support up to 8 network management channels (MGMT VCI and IP-02 VCI through IP-08 VCI), which are assigned from the CPU's IP Routing Screen.

### IP-06 VCI

The IP-06 VCI parameter allows the user to specify a VCI on the ATM card that is different from the Management VCI to be used as a remote network management channel. Each ATM card can support up to 8 network management channels (MGMT VCI and IP-02 VCI through IP-08 VCI), which are assigned from the CPU's IP Routing Screen.

### IP-07 VCI

The IP-07 VCI parameter allows the user to specify a VCI on the ATM card that is different from the Management VCI to be used as a remote network management channel. Each ATM card can support up to 8 network management channels (MGMT VCI and IP-02 VCI through IP-08 VCI), which are assigned from the CPU's IP Routing Screen.

### IP-08 VCI

The IP-08 VCI parameter allows the user to specify a VCI on the ATM card that is different from the Management VCI to be used as a remote network management channel. Each ATM card can support up to 8 network management channels (MGMT VCI and IP-02 VCI through IP-08 VCI), which are assigned from the CPU's IP Routing Screen.

## 4.3.3 UNI Performance Data Screen (Supports 3.0 only)

The ACS-ATM card accumulates UNI statistics to show the ATM-layer performance characteristics of this port. To access the UNI Performance Data Screen, press “**p**” in the ACS-ATM Card Main Screen (**Perf** command). Figure 4-3 shows a typical UNI Performance Data Screen, and Table 4-5 lists the actions you can perform from it.

The performance data is kept by 15-minute (900-second) time increments for a total of 96 periods (24 hours). Each screen shows the current 15-minute segment and the past 12 periods with totals at the bottom of the column. Additional performance screens are accessed by selecting **aal0**, **Vbr**, or **cEs**. Press “**d**” to scroll backward through the previous 96 periods. After each period, the oldest 15-minute segment (after 24 hours) is discarded. Since this data is not accumulated in real time, you must press “**r**” (**Refresh**) periodically to obtain up-to-date statistics on all performance screens.

Node_1   P3 AAM-DS3 Rev A0-0 Ser 00101   12-31-99 14:33						
UNI 1 ATM Layer PERFORMANCE			Sec. 240 of 900			
	TxCeLL	RxCeLL	CellDisc	ErHEC	ErVPI	ErVCI
CUR	14	14	0	0	0	0
01	-----	-----	-----	-----	-----	-----
02	-----	-----	-----	-----	-----	-----
03	-----	-----	-----	-----	-----	-----
04	-----	-----	-----	-----	-----	-----
05	-----	-----	-----	-----	-----	-----
06	-----	-----	-----	-----	-----	-----
07	-----	-----	-----	-----	-----	-----
08	-----	-----	-----	-----	-----	-----
09	-----	-----	-----	-----	-----	-----
10	-----	-----	-----	-----	-----	-----
11	-----	-----	-----	-----	-----	-----
12	-----	-----	-----	-----	-----	-----
TOTAL	14	14	0	0	0	0
Refresh   Clear   pgUp   pgDn   Vbr   cEs   Main						

Figure 4-3. Typical UNI Performance Data Screen

Table 4-5. UNI Performance Data Screen Actions

Action	Function
Refresh	Since performance data is not kept in real time, the refresh key must be pressed to obtain updated performance figures.
Clear	Clears all performance data for the port.
pgUp	Scrolls through the 96 time segments from oldest to newest.
pgDn	Scrolls through the 96 time segments from newest to oldest.
Vbr	Brings up the UNI VBR Performance Data Screen.
cEs	Brings up the UNI CES Performance Data Screen.
Main	Returns to the UNI Performance Data Screen.

**TXCELL**

Identifies the number of cells transmitted on the UNI.

**RXCELL**

Identifies the number of cells received on the UNI.

**CELLDISC**

Identifies number of cells dropped at UNI due to protocol errors.

**ERHEC**

Identifies the number of cells received on the UNI with HEC errors.

**ERVPI**

Identifies the number of cells received on the UNI with out-of-range or unconnected VPI.

**ERVCI**

Identifies the number of cells received on the UNI with out-of-range or unconnected VCI.

#### **4.3.4 UNI VBR Performance Data Screen (Unstructured)**

Variable Bit Rate (VBR) statistics are accumulated for 15-minute intervals for the last 96 intervals (24 hours). To access the VBR Performance Data Screen, press “**v**” in the UNI Performance Data Screen (**Vbr** command). Figure 4-4 shows a typical screen. Press “**u**” and “**d**” in this screen to scroll through the data, 12 intervals at a time. Table 4-6 lists the actions you can perform from the bottom line of this screen.



Node_1   P3 AAM-DS3 Rev A0-0 Ser 00101   12-31-99 14:33							
UNI 1	VBR	PERFORMANCE			Sec. 240 of 900		
	TxPDU	RxPDU	ErCRC	ErSAR	ErCS	PduDisc	ByteDisc
CUR	23	23	0	0	0	0	0
01	-----	-----	-----	-----	-----	-----	-----
02	-----	-----	-----	-----	-----	-----	-----
03	-----	-----	-----	-----	-----	-----	-----
04	-----	-----	-----	-----	-----	-----	-----
05	-----	-----	-----	-----	-----	-----	-----
06	-----	-----	-----	-----	-----	-----	-----
07	-----	-----	-----	-----	-----	-----	-----
08	-----	-----	-----	-----	-----	-----	-----
09	-----	-----	-----	-----	-----	-----	-----
10	-----	-----	-----	-----	-----	-----	-----
11	-----	-----	-----	-----	-----	-----	-----
12	-----	-----	-----	-----	-----	-----	-----
TOTAL	23	23	0	0	0	0	0

Refresh | Clear | pgUp | pgDn | Main

Figure 4-4. Typical UNI VBR Performance Data Screen

Table 4-6. UNI VBR Performance Data Screen Actions

Action	Function
Refresh	Since performance data is not kept in real time, the refresh key must be pressed to obtain updated performance figures.
Clear	Clears all performance data for the highlighted port.
pgUp	Scrolls through the 96 time segments from oldest to newest.
pgDn	Scrolls through the 96 time segments from newest to oldest.
Main	Returns to the UNI Performance Data Screen.

The performance fields in the above screen are display-only and the parameters are the same for each. The range is from 0 to  $(2^{32} - 1)$ .

**TXPDU**

Identifies the number of PDUs transmitted on that UNI on AAL3/4.

**RXPDU**

Identifies the number of PDUs received on that UNI on AAL3/4.

**ERCRC**

Identifies the number of cells received on that UNI on AAL3/4 with payload CRC errors.

**ERSAR**

Identifies the number of cells received on that UNI on AAL3/4 with SAR protocol errors.

**ERCS**

Identifies the number of cells received on that UNI on AAL3/4 with CS protocol errors.

**PDUDISC**

Identifies the number of PDUs received on that UNI on AAL3/4 which were discarded due to queue overflows to the layer above.

**BYTEDISC**

Identifies the number of bytes received on that UNI on AAL3/4 which were discarded due to queue overflows to the layer above.

### 4.3.5 CES Performance Data Screen

The CES statistics are accumulated in 15-minute intervals for the last 24 hours. To access the CES Performance Data Screen, press “e” in the UNI Performance Data Screen (cEs command). Then, press “u” and “d” to scroll through the data, 12 intervals at a time. Figure 4-5 shows a typical CES Performance Data Screen, and Table 4-7 lists the actions you can perform from the bottom line of this screen.

Node_1	P3	AAM-DS3	Rev	A0-0	Ser	00101	12-31-99	14:33
UNI 1 CES PERFORMANCE Sec. 240 of 900								
	TxCe11	RxCe11	ErHDR	CeLost	PtrRF	CLStat		
CUR	0	0	0	0	0	.		
01	-----	-----	-----	-----	-----	.		
02	-----	-----	-----	-----	-----	.		
03	-----	-----	-----	-----	-----	.		
04	-----	-----	-----	-----	-----	.		
05	-----	-----	-----	-----	-----	.		
06	-----	-----	-----	-----	-----	.		
07	-----	-----	-----	-----	-----	.		
08	-----	-----	-----	-----	-----	.		
09	-----	-----	-----	-----	-----	.		
10	-----	-----	-----	-----	-----	.		
11	-----	-----	-----	-----	-----	.		
12	-----	-----	-----	-----	-----	.		
TOTAL	0	0	0	0	0	.		
Status: L = CELL LOSS								
Refresh	Clear	pgUp	pgDn	Main				

Figure 4-5. Typical CES Performance Data Screen

Table 4-7. CES Performance Data Screen Actions

Action	Function
Refresh	Since performance data is not kept in real time, the refresh key must be pressed to obtain updated performance figures.
Clear	Clears all performance data for the highlighted port.
pgUp	Scrolls through the 96 time segments from oldest to newest.
pgDn	Scrolls through the 96 time segments from newest to oldest.
Main	Returns to the UNI Performance Data Screen.

The performance fields in the above screen are display-only and the parameters are the same for each, 0 - (2<sup>32</sup> -1). CLStat displays Loss or NoLoss.

**TXCELL**

Identifies the number of cells transmitted on that UNI on AAL1.

**RXCELL**

Identifies the number of cells received on that UNI on AAL1

**ERHDR**

Identifies the number of cells received on that UNI on AAL1 with header errors (includes correctable and uncorrectable CRC + bad parity).

**CELOST**

Identifies the number of cells lost on that UNI on AAL1.

**PTRRF**

Identifies the number of times the reassembler found the SDT PTR to be incorrect.

**CLSTAT**

Identifies whether cells were lost for the duration of the Cell Loss Integration (CLI) period.

### 4.3.6 VBR (Variable Bit Rate) Configuration Screen

The ACS-ATM card supports four super-rate channels up to 2.048 Mbps each. The aggregate bandwidth cannot exceed 4.096 Mbps.

Additionally, the card is capable of supporting up to 64 HDLC channels operating at  $N \times 64$  kbps ( $N = 1$  to 32). The other 64 channels are accessed by using the “greater than” ( $>$ ) and “less than” ( $<$ ) symbols. The total HDLC bandwidth available for variable-bit-rate (AAL 3/4 & 5) traffic on a single ATM Server is 8 Mbps.

Alternatively, only C1 can be used as an Ethernet controller. The ACS-ATM card is equipped with a single 10base-T Ethernet connector. In addition to the 8 Mbps of VBR traffic from the HDLC controllers, the Ethernet port provides encapsulation for Ethernet MAC layer frames. With this release of the product, no filtering or forwarding is supported by the card. All frames on the Ethernet are transmitted to the ATM aggregate port.

Figure 4-6 shows a typical Variable Bit-Rate (VBR) Configuration Screen. To go to that screen, press “v” (**Vbr** command) in the ACS-ATM Card Main Screen. Table 4-8 lists the actions you can perform from this screen, and Table 4-8 shows the option settings and defaults.

Node_1	P3	AAM-DS3	Rev	A0-0	Ser	00101	12-31-99	14:33
Version #: 1.10								
		C1	C2	C3	C4			
STATE		stdby	stdby	stdby	stdby			
AAL TYPE		aal5	aal5	aal5	aal5			
LEGACY		w1-1	w1-1	w1-1	w1-1			
PORT		n/a	n/a	n/a	n/a			
TS		table	table	table	table			
RATE		64k	64k	64k	64k			
VCI		33	33	33	33			
MID		n/a	n/a	n/a	n/a			
TAG		n/a	n/a	n/a	n/a			
PEAK (KBPS)		n/a	n/a	n/a	n/a			
MEAN (KBPS)		2048	2048	2048	2048			
MBS (BYTES)		5000	5000	5000	5000			
LBCFG		off	off	off	off			
Save   Undo   Refresh   Perf   <   >   Main								

Figure 4-6. Typical VBR Configuration Screen

Table 4-8. VBR Configuration Screen Actions

Action	Function
Save	Saves changes to settings.
Undo	Returns all settings to the last saved state.
Refresh	Redraws the screen.
Perf	Brings up the VBR Port Performance Data Screen.
<	Scrolls left through the 68 VBR PVCs.
>	Scrolls right through the 68 VBR PVCs.
Main	Returns to the ACS-ATM Card Main Screen. If changes are made to settings and not saved, you will be prompted to save or lose changes.

Table 4-9. VBR Configuration Screen Options and Defaults

Parameter	User Options	Notes	Default
STATE	stdby actv		stdby
AAL TYPE	aal5 aal34		aal5
LEGACY	wan (lan)	1	w1-1
PORT	n/a	2	n/a
TS	table	5	table
RATE	56k 64k		64k
VCI	33-1023		33
MID	n/a 0-1023	3	n/a
TAG	n/a		n/a
PEAK (Kbps)	n/a yes no		n/a
MEAN (Kbps)	1 Peak (kbps)	4	64
MBS (Bytes)	1-10000		5000
LBCFG	off legacy atm both		off

**Notes:**

1. The **lan** option can only be selected for port C1.
2. When **legacy** is from a user card - U1, U2 etc. **port** indicates this user cards' physical port. In addition **legacy** may be from a user card in which case **legacy** shows a user slot number not alterable directly from the ATM menu. When **legacy** is not reserved from an external resource, then the field **port** is **n/a**.
3. The MID setting will become active when **aal34** is chosen in AAL TYPE field.
4. The MEAN value increase with the number of time slots selected in the TS table field.
5. When **legacy** is a user card, **TS** will show the number of **TS** reserved for that user port.

**STATE**

The State setting determines whether the port is active or inactive. Set State to **stdby** (standby) for ports you are not using or have not yet configured. Set it to **actv** (active) for ports that are ready for use for ATM traffic.

**AAL TYPE**

Identifies the type of ATM Adaptation Layer this port is using for Variable Bit Rate (VBR) services. The options are **aal5** and **aal34**.

**LEGACY**

This setting indicates the physical port(s) on the legacy side of the ACS-ATM card associated with this ATM user port. The options are **wan** for individual WAN links (only appears on C1) and **lan** (for LAN traffic). However, the **lan** option is only valid for port C1.

If **wan** is chosen, another pop-up window will appear to allow the user to select which WAN link to associate with this port. Valid selections for this option are **w1-1** to **w4-2**.

**PORT**

With **wan** or **lan** selected in the Legacy setting above, this option will always show **n/a** in user card ports (C1, C2, C3 and C4).

**TS**

The Time Slot setting identifies the WAN time slots used by this port. You can make time slot assignments by highlighting the time slots needed with the arrow keys and pressing the space bar. If **lan** is chosen as the Legacy setting above, this field will show **n/a**.

**RATE**

The Rate setting identifies the data speed used by this port. The option for this field is **64k**.

**VCI**

The Virtual Channel Identifier is the VCI (local to the UNI) on which information will be transmitted or received. Since the VCI is restricted to one value in this version, it will be the value chosen for the entire UNI. The options are numbers **33** to **1023**.

**MID**

The Multiplexer Identification Number is set to a non-zero value if multiplexing is required. The options are **n/a** (not applicable) and numbers **0** to **1023**. This setting will only show if **aal34** is chosen in the AAL TYPE field above.

**TAG**

The option is **n/a**.

**PEAK (Kbps)**

The Peak Bandwidth setting determines the maximum bandwidth (in kbps) used by the source port in the direction of the ATM virtual connection. If **wan** is chosen in the Legacy selection above, the value is the product of the time slot setting multiplied by the rate setting (e.g., 5 time slots x 64k rate = 320 kbps) and is automatically calculated. In **wan** mode, the user cannot change this parameter, which appears as **n/a**. Same if **legacy** is user card.

If **lan** is used in the Legacy selection, the user must select the appropriate peak bandwidth. Valid selections are **1** to **10000**.

**MEAN (Kbps)**

The Mean Bandwidth setting determines the average bandwidth (in kbps) used by the source port in the direction of the ATM virtual connection. If **wan** is chosen in the LEGACY parameter, the value is the product of the number of time slots selected in the TS parameter multiplied by the value of the RATE parameter. (For instance, eight time slots x 64K rate = 512 kbps.) This value is calculated automatically. Can me modified from 1 to calculate value.

If **lan** is selected from the LEGACY parameter, the value of MEAN (KBPS) can range from **1** to **10000**, but can never exceed the value of PEAK (KBPS).

**MBS (Bytes)**

The Burst Length setting determines the maximum size packets sent by the source port in the direction of the ATM virtual connection. Typically, this setting will be the size of the packets used. Valid selections are **1** to **10,000**. The default is **5000**.

**LBCFG**

The Loopback Configuration setting indicates whether a single endpoint or both endpoints of an individual Permanent Virtual Circuit can be placed in a loopback mode. The choice of **off** should be used when none of the endpoints of the PVC should be placed in a loopback condition. The **legacy** choice allows the legacy side of the circuit to be placed in a loopback condition. The **atm** selection allows the ATM side of the circuit to be placed in loopback mode. The selection of **both** allows both sides of the circuit to be placed in a loopback condition.



### 4.3.7 VBR Port Performance Data Screen

Figure 4-7 shows the VBR Port Performance Data Screen for the ACS-ATM card. To go to this screen, press “p” (Perf command) in the VBR Configuration Screen. Figure 4-8 shows the VBR Port Performance Data Screen for the Legacy Performance by pressing “e” (Endp). Table 4-10 lists the actions you can perform from the bottom line of this screen.

Node_1   P3 AAM-DS3 Rev A0-0 Ser 00101   12-31-99 14:33							
Port	C1	ATM PERFORMANCE			Sec. 240 of 900		
		INFRM	OUTFRM	INBYTE	OUTBYTE	INFRMLOST	OUTFRMLOST
CUR		0	0	0	0	0	0
01		----	----	----	----	----	----
02		----	----	----	----	----	----
03		----	----	----	----	----	----
04		----	----	----	----	----	----
05		----	----	----	----	----	----
06		----	----	----	----	----	----
07		----	----	----	----	----	----
08		----	----	----	----	----	----
09		----	----	----	----	----	----
10		----	----	----	----	----	----
11		----	----	----	----	----	----
12		----	----	----	----	----	----
TOTAL		0	0	0	0	0	0

Refresh | Clear | pgUp | pgDn | Endp | Main

Figure 4-7. Typical VBR Port Performance Data Screen (ATM)

The performance fields are display-only for the ATM Performance and Legacy Performance screens.

Node_1   P3 AAM-DS3 Rev A0-0 Ser 00101   12-31-99 14:33							
Port	C1	LEGACY	PERFORMANCE	Sec. 240 of 900			
		INFRM	OUTFRM	INBYTE	OUTBYTE	INFRMLOST	OUTFRMLOST
CUR		0	0	0	0	0	0
01		----	----	----	----	----	----
02		----	----	----	----	----	----
03		----	----	----	----	----	----
04		----	----	----	----	----	----
05		----	----	----	----	----	----
06		----	----	----	----	----	----
07		----	----	----	----	----	----
08		----	----	----	----	----	----
09		----	----	----	----	----	----
10		----	----	----	----	----	----
11		----	----	----	----	----	----
12		----	----	----	----	----	----
TOTAL		0	0	0	0	0	0
Refresh   Clear   pgUp   pgDn   Endp   Main							

Figure 4-8. Typical VBR Port Performance Data Screen (Legacy)

Table 4-10. VBR Port Performance Data Screen Actions

Action	Function
Refresh	Since performance data is not kept in real time, the refresh key must be pressed to obtain updated performance figures.
Clear	Clears all performance data for the highlighted port.
pgUp	Pages through the 96 time segments from oldest to newest.
pgDn	Pages through the 96 time segments from newest to oldest.
Endp	Displays Legacy Performance and ATM Performance screens.
Main	Returns to the ACS-ATM Card Main Screen.

**INFRM**

Identifies the number of frames transmitted on that VBR port.

**OUTFRM**

Identifies the number of frames received on that VBR port.

**INBYTE**

Identifies the number of bytes transmitted on that VBR port.

**OUTBYTE**

Identifies the number of bytes received on that VBR port.

**INFRMLOST**

Identifies the number of frames lost due to buffer overflow on the Tx side.

**OUTFRMLOST**

Identifies the number of frames lost due to buffer overflow on the Rx side.

### 4.3.8 CBR (Constant Bit Rate) Configuration (Structured) Screen

Pressing the “c” key from the ACS-ATM Card Main Screen will invoke the **Cbr** command and show the CBR Configuration Screen. Because constant-bit-rate (AAL1) traffic does not consume HDLC channels, it is not subject to the 8 Mbps restriction when using the Variable Bit Rate options. The total capacity of the PCM-based system bus is 384 DS0s. With AAL1, the ATM Server Card can adapt and transmit the entire 384 DS0s.

Figure 4-9 shows a typical CBR Configuration Screen. Table 4-11 lists the actions you can perform from this screen, and Table 4-12 shows the option settings and defaults.

Node_1	P3	AAM-DS3	Rev	A0-0	Ser	00101	12-31-99 14:33	
	1	2	3	4	5	6	7	8
STATE	stdby	stdby	stdby	stdby	stdby	stdby	stdby	stdby
LEGACY	w1-1	w1-1	w1-1	w1-1	w1-1	w1-1	w1-1	w1-1
PORT	n/a	n/a	n/a	n/a	n/a	n/a	n/a	n/a
TS	table	table	table	table	table	table	table	table
FORMAT	unstr	unstr	unstr	unstr	unstr	unstr	unstr	unstr
CELL FILL	47	47	47	47	47	47	47	47
CDV	1	1	1	1	1	1	1	1
CLI	1000	1000	1000	1000	1000	1000	1000	1000
VCI	33	33	33	33	33	33	33	33

Save | Undo | Refresh | Copy | Perf | < | > | Main

Figure 4-9. Typical CBR Configuration Screen

Table 4-11. CBR Configuration Screen Actions

Action	Function
Save	Saves changes to settings.
Undo	Returns all settings to the last saved state.
Refresh	Redraws the screen.
Copy	Copies the contents of the current column to the next column.
Perf	Brings up the CBR Port Performance Data Screen.
<	Scrolls left through the 96 CBR PVCs.
>	Scrolls right through the 96 CBR PVCs.
Main	Returns to the ACS-ATM Card Main Screen. If changes are made to settings and not saved, you will be prompted to save or lose changes.

Table 4-12. CBR Configuration Screen Options and Defaults

Parameter	User Options	Notes	Default
STATE	stdby actv		stdby
LEGACY	wan muser	1	w1-1
PORT	n/a 1-8	2	n/a
TS	table		table
FORMAT	unstr basic casT1 casE1	3	unstr
CELL FILL	1-47		47
CDV	1-128		1
CLI	1000-65535		1000
VCI	33-1023		33

**Notes:**

1. Will display user card slot when reserved from that user card.
2. The port will show port number when reserved from that user port.
3. **casE1** is available when **muser** is selected in Legacy or when the WAN selected is an E1 (CEPT) WAN.

**STATE**

The State setting determines whether the port is active or inactive. Set the State to **stdby** (standby) for ports you are not using or have not yet configured. Set it to **actv** (active) for ports that are ready for ATM traffic usage.

**LEGACY**

This setting indicates the physical port(s) on the legacy side of the ATM module associated with this ATM user port. The options are **muser** (for user cards) and **wan** (for individual WAN links). If **wan** is chosen, another pop-up window will appear to allow the user to select which WAN link to associate with this port. Valid selections are **w1-1** to **w4-2**.

If the Legacy port is a single port, it must be configured on the user card screen. The user card number will appear as **U#** (where # is the card slot number).

**PORT**

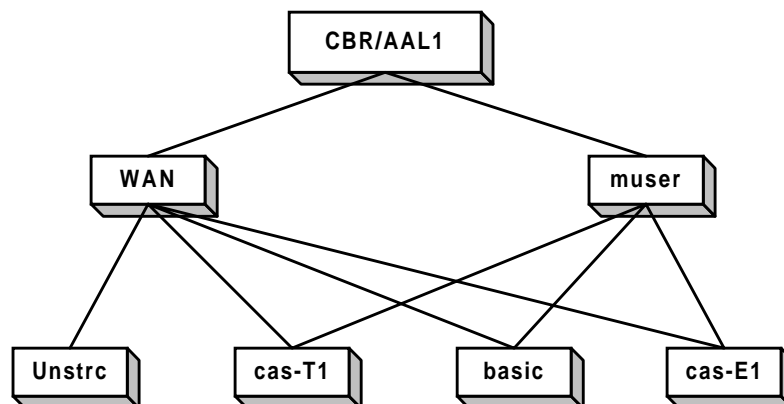
Identifies the port on the user card to expect legacy traffic. If a single user port was configured on the associated user card screen, the user port number will appear. If **wan** or **muser** is selected in the Legacy setting above, this option will show **n/a**.

**TS**

The Time slot setting identifies the time slots used by this port. If **wan** is chosen in the Legacy setting above, this field will show table and time slots can be selected by using the table. If **muser** is chosen in the Legacy setting above, TS can be set to the desired number of time slots by using the arrow keys.

**FORMAT**

The Format setting determines the structure of the AAL1 frames. Refer to Figure 4-10 for the proper Format settings to choose.



**Figure 4-10. ATM Server Option Tree**

**CELL FILL**

The Cell Fill setting indicates the number of octets needed to fill in before a cell can be shipped. This setting will determine the delay between transmitted ATM cells. The options are **1 to 47**.

**CDV**

The Cell Delay Variation Tolerance setting determines the maximum cell arrival jitter in multiples of 125-microsecond increments the reassembly process will tolerate in the cell stream without producing errors on the CBR interface. The options are **1 to 128** (16 milliseconds). This helps you determine the maximum reassembly buffer size.

**CLI**

The Cell Loss Integration setting determines the time in milliseconds for the CLI period. If cells are lost for this period of time, a Cell Loss Status flag is set. The options are **1000 to 65,535** (1 to 65 seconds).

**VCI**

The Virtual Channel Identifier is the ATM connection identification number provided by the carrier for each service application. This number will be the same as the one placed in the VCI setting in the VBR Configuration Screen (Figure 4-6). The options are **33 to 1023**.

### 4.3.9 CBR Port Performance Data Screen

CBR port statistics are accumulated for 15-minute intervals for the last 96 intervals (24 hours). To access this screen, press “p” (Perf command) in the CBR Configuration Screen. Then, press “u” and “d” to scroll through the data, 12 intervals at a time. Figure 4-11 shows a typical CBR Port Performance Data Screen, and Table 4-13 lists the actions you can perform from the bottom line of this screen.

Node_1   P3 AAM-DS3 Rev A0-0 Ser 00101   12-31-99 14:33						
Port 1 CBR Performance			Sec. 240 of 900			
	TxCeLL	RxCeLL	ErHDR	CeLost	PtrRF	CLStat
CUR	0	0	0	0	0	.
01	-----	-----	-----	-----	-----	.
02	-----	-----	-----	-----	-----	.
03	-----	-----	-----	-----	-----	.
04	-----	-----	-----	-----	-----	.
05	-----	-----	-----	-----	-----	.
06	-----	-----	-----	-----	-----	.
07	-----	-----	-----	-----	-----	.
08	-----	-----	-----	-----	-----	.
09	-----	-----	-----	-----	-----	.
10	-----	-----	-----	-----	-----	.
11	-----	-----	-----	-----	-----	.
12	-----	-----	-----	-----	-----	.
TOTAL	0	0	0	0	0	.
Status: L=CELL LOSS						
Refresh	Clear	pgUp	pgDn	Main		

Figure 4-11. Typical CBR Port Performance Data Screen

Table 4-13. CBR Port Performance Data Screen Actions

Action	Function
Refresh	Since performance data is not kept in real time, the refresh key must be pressed to obtain updated performance figures.
Clear	Clears all performance data for the highlighted port.
pgUp	Scrolls through the 96 time segments from oldest to newest.
pgDn	Scrolls through the 96 time segments from newest to oldest.
Main	Returns to the CBR Configuration Screen.



**TXCELL**

Identifies the number of cells transmitted on the CBR Port.

**RXCELL**

Identifies the number of cells received on the CBR Port.

**ERHDR**

Identifies the number of cells received on that CBR Port with header errors (includes correctable and uncorrectable CRC + bad parity).

**CELOST**

Identifies the number of cells lost on that CBR Port.

**PTRRF**

Identifies the number of times the reassembler found the SDT PTR to be incorrect.

**CLSTAT**

Identifies whether cells were lost for the duration of the Cell Loss Integration (CLI) period.

### 4.3.10 DS3 Performance Data Screen

The ACS-ATM card accumulates statistics that show the DS3 performance characteristics of the circuit. To access the DS3 Performance Data Screen, press “**p**” (**Perf** command) from the ACS-ATM Card Main Screen. Figure 4-12 shows this screen, and Table 4-14 lists the actions you can perform from the bottom line of this screen.

Figures are kept in 15-minute (900 seconds) time increments for 24 hours. Each screen shows the current 15-minute segment and the past 12 periods with totals at the bottom of the column. Press “**d**” or “**u**” to scroll backward or forward through the previous 96 periods. After each period, the oldest 15-minute segment (from exactly 24 hours ago) is discarded. Since information is not accumulated in real time, you must press “**r**” (**Refresh**) periodically to obtain up-to-date statistics.

Node_1   P3 AAM-DS3 Rev A0-0 Ser 00101   12-31-99 14:33												
Port 1 Performance Sec. 240 of 900												
	PES	PSE	CES	CSE	SEF	UAS	LES	LCV	PCV	CCV	Status	RC
CUR	0	0	0	0	0	0	0	0	0	0	.....	.....
01	0	0	0	0	0	0	0	0	0	0	.....	.....
02	0	0	0	0	0	0	0	0	0	0	.....	.....
03	***	***	***	***	***	29	20	****	****	****	.....	.....
04	---	---	---	---	---	---	---	---	---	---	.....	.....
05	---	---	---	---	---	---	---	---	---	---	.....	.....
06	---	---	---	---	---	---	---	---	---	---	.....	.....
07	---	---	---	---	---	---	---	---	---	---	.....	.....
08	---	---	---	---	---	---	---	---	---	---	.....	.....
09	---	---	---	---	---	---	---	---	---	---	.....	.....
10	---	---	---	---	---	---	---	---	---	---	.....	.....
11	---	---	---	---	---	---	---	---	---	---	.....	.....
12	---	---	---	---	---	---	---	---	---	---	.....	.....
TOTAL	***	***	***	***	***	29	20	****	****	****	.....	.....
Status: Y=R-YEL X=X-YEL A=R-AIS I=X-AIS F=R-LOF S=R-LOS L=LB T=Test												
R-Code: N=None, L=Line P=Payload R=Reset T=Test												
Refresh   Clear   pgUp   pgDn   Main												

Figure 4-12. DS3 Performance Data Screen

**Table 4-14. DS3 Performance Data Screen Actions**

<b>Action</b>	<b>Function</b>
Refresh	Performance data is not kept in real time, the refresh key must be pressed to obtain updated performance figures.
Clear	Clears all performance data.
pgUp	Scrolls through the pages of DS3 performance statistics from oldest to newest.
pgDn	Scrolls through the pages of DS3 performance statistics from newest to oldest.
Main	Returns to the ACS-ATM Card Main Screen.

**PES**

Accumulates the number of P-bit parity Errored Seconds in the 15-minute interval. A PES is a second in which one or more P-bit parity error events OR one or more Out of Frame (OOF) defects or a detected incoming AIS occurred. This field is not incremented when UASs are counted.

**PSE**

Accumulates the number of P-bit parity Severely Errored Seconds in the 15-minute interval. A PSE is a second 44 or more P-bit parity error events OR one or more Out of Frame (OOF) defects or a detected incoming AIS occurred. This field is not incremented when UASs are counted.

**CES**

Accumulates the number of C-bit parity Errored Seconds in the 15-minute interval. A CES is a second in which one or more C-bit parity error events OR one or more Out of Frame (OOF) defects or a detected incoming AIS occurred. This field is not incremented when UASs are counted. It is applicable only to C-bit parity DS3 applications.

**CSE**

Accumulates the number of C-bit parity Severely Errored Seconds in the 15-minute interval. A PES is a second in which 44 or more C-bit parity error events OR one or more Out of Frame (OOF) defects or a detected incoming AIS occurred. This field is not incremented when UASs are counted. It is applicable only to C-bit parity DS3 applications.

**SEF**

Accumulates the number of Severely Errored Framing Seconds in the 15-minute interval. A SEF is a second in which one or more Out of Frame (OOF) defects or a detected incoming AIS occurred.

**UAS**

Accumulates the number of Unavailable Seconds in the 15-minute interval. The DS3 interface is unavailable from the onset of 10 contiguous PSESs, or the onset of a condition leading to a RAI failure state. If the condition leading to the failure was preceded by one or more contiguous PSESs, the unavailability starts from the onset of these PSEs. Once unavailable and if no failure is present, the DS3 becomes available at the onset of 10 contiguous seconds with no PSESs.

**LES**

Accumulates the number of Line Errored Seconds in the 15-minute interval. An LES is a second in which one or more P-bit or C-bit parity errors or Loss of Signal (LOS) defects occurred.

**LCV**

Accumulates the number of Line Code Violations in the 15-minute interval. This includes both Bipolar violations (BPVs) and Excessive Zeros (EXZs).

**PCV**

Accumulates the number of P-bit Code Violations in the 15-minute interval.

**CCV**

Accumulates the number of C-bit Code Violations in the 15-minute interval.

**STATUS**

The Status column shows the nature of the errors calculated in each of previous ten categories. Any of the following Status codes may appear in this column depending upon how the errors occurred. Possible values for this column are **Y** (receive yellow alarm), **X** (transmit yellow alarm), **A** (receive AIS), **I** (transmit AIS), **F** (receive loss of frame), **S** (receive loss of signal), **L** (loopback) or **T** (test).

**RC**

The Receive Code column shows the nature of the errors calculated in each of previous ten categories. Any of the following RcvCode codes may appear in this column, depending upon how the errors occurred. Possible values for this column are **N** (none), **L** (line code), **P** (payload code), **R** (reset code) and **T** (test pattern).

## 4.4 ACS-ATM Card Error Messages

Refer to Appendix B in the System Reference Guide for further information on Error Messages regarding this card.

## 4.5 ACS-ATM Card Troubleshooting

Problems with a ATM card could indicate a number of causes. Some possibilities are:

- T1 or E1 network failure
- Improper installation of ATM child card
- Improper ATM card configuration
- Improper user card configuration
- Faulty cabling between the DTE and user card
- Improper DTE configuration

Typically, a problem is indicated by the inability to send or receive ATM traffic through the ATM card. When troubleshooting communications problems through an ATM card, follow this general sequence:

1. Verify that the T1 or E1 networks are working properly by checking for current CGA-Red and CGA-Yellow alarms. If no CGA alarms are present that would affect ATM traffic, continue with step 2.
2. Verify that the ATM card's DS3 port is functioning properly. Use the built-in loopback commands (**LB CFG**, **LB GEN**, **LB DET**) from the ATM Main Screen to test the external connection, as detailed earlier in this chapter. Loopbacks are available on the DS3 port only.
3. Verify that the ATM card's User Network Interface (UNI) is up (accessed by pressing **N** from the ATM card Main Screen).
4. Review the performance statistics of each active port (accessed by pressing **P** from any port screen). Analyze the information provided on these screens to help determine the cause of the problem, as detailed earlier in this chapter.
5. Verify that all cards programmed to output traffic to the ATM card are functioning properly and that their output is directed to the proper card slot (the slot in which the ATM card is installed).
6. Verify that the ATM port is connected to the proper WAN card and time slot or user card port. If a user card port is used, verify the configuration settings on the user card port and the cable connection to the DTE.
7. If the ATM card is determined to be faulty, replace it and return the faulty unit for repair to the location specified by your distributor.

# Chapter 5

## ISDN-PRI Card

### 5.1 Introduction

The ISDN-PRI server card offers users the ability to effectively terminate and manage both dedicated and switched carrier services in a single system. This capability allows users to pick the most cost-effective services for both permanent connections (e.g., LAN-to-WAN) and periodic connections (e.g., video conferencing).

Three specific features enable the system to use ISDN-PRI services, and are therefore covered in this chapter. These features are:

- ISDN PRI server card
- Call profiles (accessed from the Interface Card)
- HSU-AD 530/35 switched services data card

The switched services HSU card information is repeated in the chapter on HSU cards, and the call profile information is repeated in the Interface Card chapter.

#### 5.1.1 Definitions

##### 5.1.1.1 Timeslot

Each T1 or E1 WAN link accessed by the system is subdivided into individual 64 kbps channels called timeslots (T1 has 24 timeslots, E1 has 32). A timeslot is sometimes also called a DS0 or a B (bearer) channel. While all three terms refer to the same concept, this manual will assign arbitrary definitions to distinguish timeslots controlled by ISDN from those that are not.

##### 5.1.1.2 DS0

**A DS0 is a timeslot on any WAN link that is not controlled by an ISDN signaling channel (the D channel).** Thus, DS0s are controlled via assigning user ports to WAN timeslots (see individual user card chapters) via setting up cross-connect circuits (see Chapter 4, *System Configuration and Operation*, in the *System Reference Guide*).

### 5.1.1.3 B Channel

A **B channel** is a timeslot on any WAN link that is controlled by an ISDN D channel. B channel assignments to WAN links are used dynamically by the system as incoming and outgoing ISDN calls occur.

In the system, every timeslot is either a B channel or a DS0. Users can define which is which via the D channel configuration screen described later in this chapter.

### 5.1.1.4 D Channel

A **D channel** carries signaling information for all B channels with which it is associated. Each D channel occupies an entire timeslot which is dedicated to ISDN signaling. The D channel can also be used to log into a remote system unit (see later in this chapter).

### 5.1.1.5 Facility

A facility is another term for an individual T1 or E1 WAN link.

### 5.1.1.6 Interface

The term “interface” is used interchangeably with facility when referring to an ISDN link.

### 5.1.1.7 NFAS (Non-Facility Associated Signaling)

A basic ISDN PRI facility is a T1 link that consists of 23 B channels and 1 D channel (23B+D), or an E1 link that consists of 30 B channels and 1 D channel (30B+D). Note that one timeslot on any E1 link is reserved for maintenance use and is neither a B channel nor a D channel. The D channel provides signaling for all (23 or 30) of the B channels on the facility carrying the D channel.

However, many ISDN applications have relatively low call rates (i.e., the D channel is not very busy), but need more than 23 (or 30) B channels to carry user (bearer) traffic. In these cases, a D channel can be set up to perform signaling not only for the B channels on its own facility, but also for B channels on other facilities (i.e., other T1/E1 WAN links). When a D channel is so provisioned it is considered to be performing **non-facility associated signaling (NFAS)**.

Some carriers' implementations of NFAS allow one D channel to carry signaling for up to 20 facilities (i.e., 479 B channels and 1 D channel in a T1 environment). However, the system is limited to 8 WAN links. Thus, the system limit for NFAS is 191B+D in T1 environments (8 times 24 minus 1 D channel), and 239B+D in E1 environments (8 times 30 minus 1).



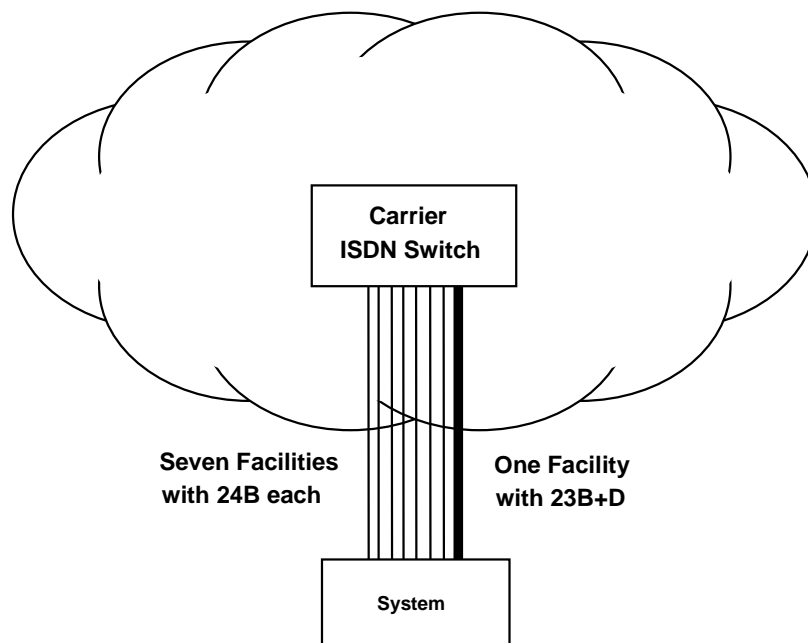
### 5.1.1.8 Trunks

An ISDN trunk is a logical division of B channels pertaining to a D channel. It consists of one or more contiguous or non-contiguous B channels. All B channels in a trunk must belong to the same D channel. However, a trunk may be assigned across different physical interfaces when NFAS is used.

## 5.1.2 Selecting D Channels, B Channels, and DS0s

The D channel configuration screens described later in this chapter show how to configure D channels, assign B channels to one or more D channels, and how to identify dedicated DS0s that cannot be used as B channels. This section will give a few examples of applications that would require various combinations of D channel(s), B channels, and DS0s.

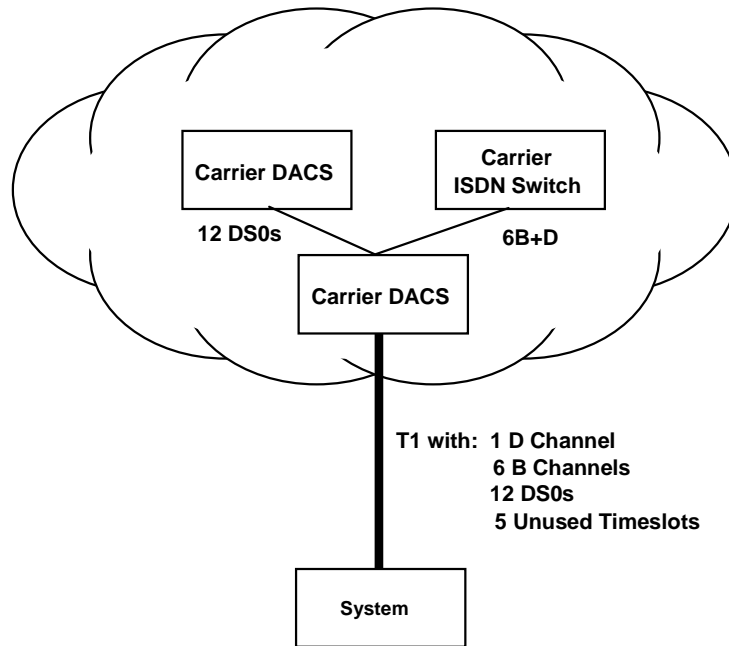
Figure 5-1 shows an application where a single D channel performs ISDN signaling for 8 T1's worth of B channels (191 B+D). There are actually 8 separate T1 facilities: seven with 24 B channels each, and one with 23 B channels and one D channel.



**Figure 5-1. ISDN Channels: 191B+D**

Figure 5-2 shows an application where a user needs less than 23 B channels (say 6 B channels for video), and some dedicated DS0s (say 12 for LAN-WAN interconnect). In this case, the D channel, B channels, and the DS0s all run on the same facility from the equipment to the

carrier. Inside the carrier's facility access point, the D and B channels are extracted from the facility and sent to the ISDN switch, and the 12 DS0s are extracted from the facility and sent to the carrier's dedicated DACS network. In this example, 5 timeslots are unused.



**Figure 5-2. DS0s and B Channels on the Same Facility**

Figure 5-3 shows an application that requires 3 D channels. The user has ordered a 23B+D facility to each of two different carriers. The third facility is a local NFAS (47B+D) connection to the user's PBX. In this application, the system will route calls from the PBX to the appropriate carrier based on called phone number (see Call Routing section later in this chapter).

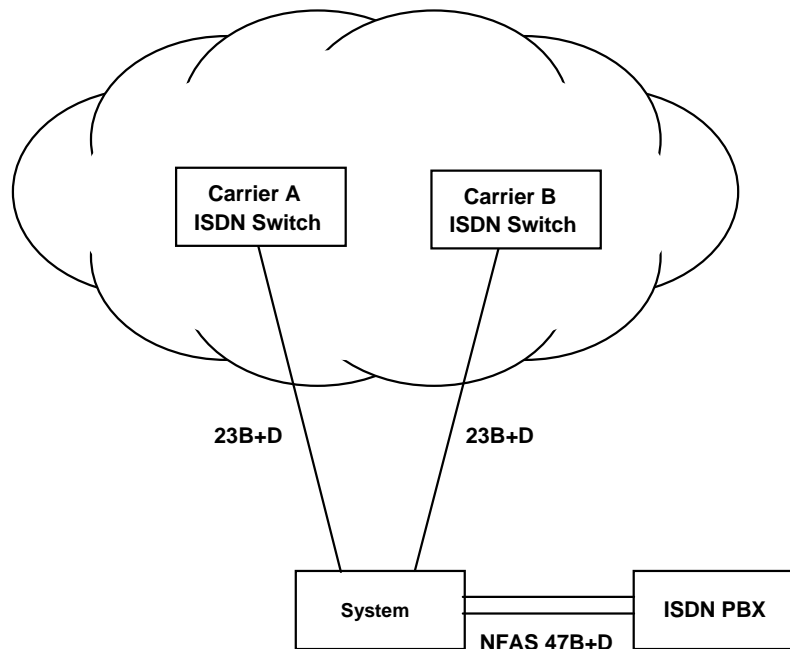


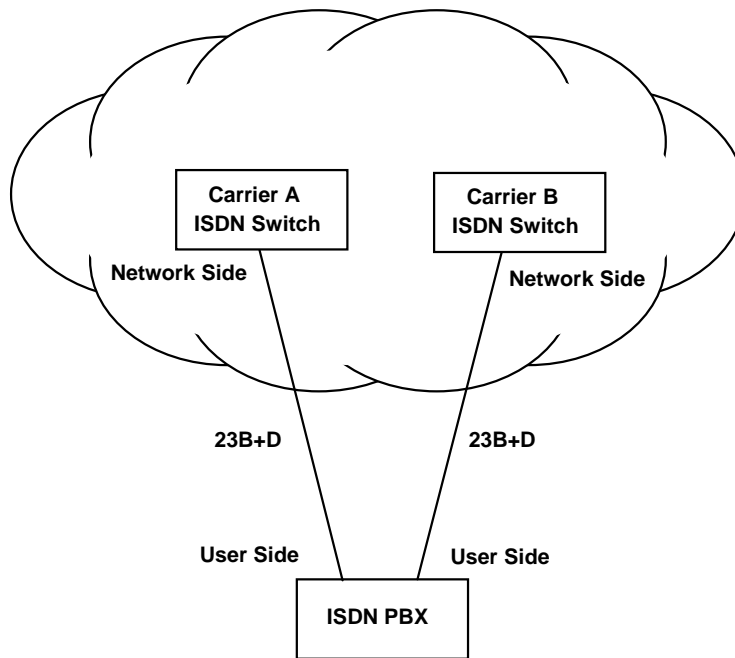
Figure 5-3. ISDN-PRI Links to Two Carriers from an ISDN PBX

### 5.1.2.1 Network and User Side Protocols

In the example application shown in Figure 5-3, there is an important difference between the two D channels terminating in the carrier switches and the D channel terminating in the user's PBX. The ISDN signaling protocol that runs on the D channel is not symmetrical. Signaling messages are treated differently depending on whether the D channel is setup to run the **network side** protocol or the **user side** protocol. All carrier switches run the network side protocol, and all user devices connected directly to a network switch must run the user side protocol. In general, network side applications cannot be connected to other network side applications. **Local routing, the exception to this rule, is explained in the next section.**

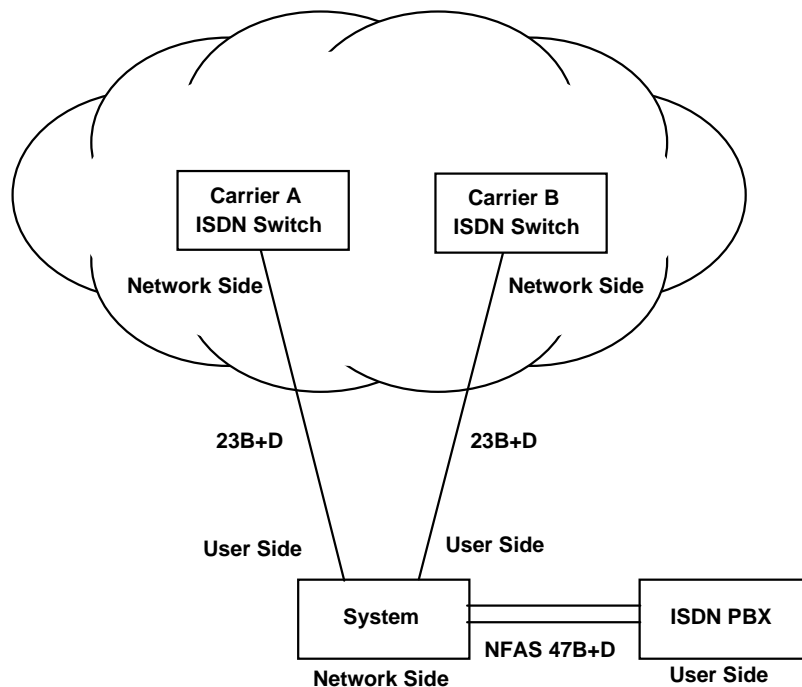
Figure 5-4 shows how the application in Figure 5-3 would be set up if the user's PBX was **not** connected to the system.

The disadvantage of this configuration is that the PBX may not be able to support two D channels, may not be able to handle the differences in D channel protocols between the two carriers, and may not be able to route calls to the appropriate carrier.



**Figure 5-4. ISDN-PRI Links to Two Carriers**

Figure 5-5 shows how the system overcomes these disadvantages. Note that the configuration in Figure 5-5 is identical to the one in Figure 5-3. Figure 5-5 highlights the ability of the system to be able to set the protocol between network side and user side for each D channel it uses. Since the PBX can only run the user side protocol, the system must run the network side protocol on the D channel connected to the PBX. However, on the D channels connected to the carrier switches, the system must run the user side protocol.



**Figure 5-5. Network and User Side Protocols**

### 5.1.3 Call Routing

The system can be simultaneously connected to several network and user side ISDN PRI facilities and to a user's data terminal equipment (DTE) such as a video codec or a LAN router. The DTE is typically connected through one or more of the system's HSU cards.

#### 5.1.3.1 Calls Originating from an HSU Port

Any call originating from an HSU port must be associated with a call profile (see Call Profiles section). The call profile specifies which D channel is to carry the call. The system will always route an outgoing HSU call to B channels controlled by the D channel specified in the call profile. If no B channels are available, the call will not be placed.

#### 5.1.3.2 Calls Destined to an HSU Port

Each HSU port in the system that is available to receive incoming calls must be assigned a unique primary phone number that allows the system to route an incoming call to it (see the Dial screen in the HSU section). Optionally, a hunt group phone number (which need not be unique) can also be assigned to the same HSU port.

When an incoming call is received by the system, it first scans all of the primary HSU phone numbers to attempt a match. If a match occurs, the call is routed to that HSU port. If no match is found, the system then searches the list of hunt group numbers to find a match. The call will be routed to the first HSU port with a matching hunt group phone number.

If a match is still not found, the system begins searching the D channel routing tables (see next section). If no match is found after all searches are finished, the system rejects the incoming call.

### 5.1.3.3 Calls Originating from a D Channel

All calls originating from a D channel are considered incoming calls to the system because the system is first made aware of the call when an incoming call message is received on the originating D channel.

As described above, the system first tries to route any incoming call from a D channel to an HSU port. If it cannot match the called number to an HSU port primary number or hunt group number, the system begins looking in the D channel routing tables (see Assignment of Call Routing Information later in this chapter). It will route the call to the first D channel it matches. If no D channel routing information matches, the call is rejected. Xs are used as "wildcards" that will allow any number in its place to match. **It is recommended that one carrier D channel be assigned the default routing code of "xxx-xxx-xxxx" so that there will always be a match.**

## 5.1.4 ISDN Trunks

An ISDN trunk is a logical division of B channels pertaining to the same D channel. A D channel can have one or more trunks. **Trunks cannot be used for local routing, so unless the user has more than one D channel, trunks will not apply to their system.** The basic rules for trunk assignment are:

- A single B channel cannot belong to multiple trunks simultaneously
- The maximum number of trunks that can be assigned to a single D channel is 15 (labeled trunk "A" through trunk "O")
- B channels in a trunk can be contiguous or noncontiguous
- A trunk cannot cross D channel borders, but can span different WAN links when NFAS is used by the carrier.

After ISDN trunks are configured, users can designate a routing table where incoming trunks can be routed to outgoing trunks. The routing table can be constructed to specify up to three outgoing trunk paths for each incoming trunk.

The basic rules for trunk routing are:

- Each incoming trunk can be routed to up to three outgoing trunks which are prioritized into search patterns 1, 2 or 3
- The D channel of the incoming trunk must be different from that of the outgoing trunk
- A trunk can be used as an outgoing trunk for more than one incoming trunks
- All trunks must be configured before assigning them to a routing table.

### 5.1.5 Local Routing

Devices such as video codecs or PBXs that are directly attached to the system (i.e., do not pass through a carrier network to connect to the system) are considered "local" devices. All HSU ports are local devices. In addition, any PRI device such as a PBX that is connected to a D channel configured for network side is a local device (as explained in the previous section, any D channel connected to a carrier network must be configured for user side).

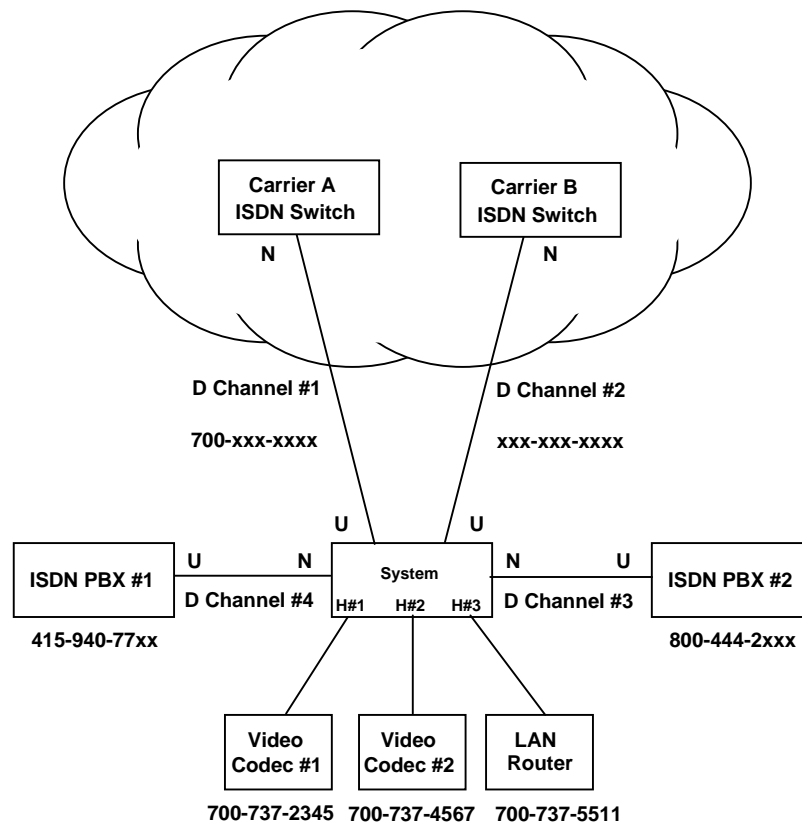
Local routing is defined as call routing between any two local devices. Because each HSU port can be mapped by its call profile to any specific D channel (local or non-local), users can prevent local routing of calls originating from any HSU port by insuring that the call profile refers to a user side (i.e., non-local) D channel.

However, calls coming into the system on a D channel (user or network) are routed based on the called phone number, not on call profiles. Because the system does not provide billing information, users may want to prohibit local routing of D channels. This prohibition will force all incoming D channel calls (user or network) to be routed to a carrier network so billing information can be obtained. In other cases, however, users may want to enable local routing.

Thus, if local routing is disabled, any call coming into the system on a network side (i.e., local) D channel will be routed only to a user side D channel based on the called number. Even if the called number matches, such a call will never be routed to an HSU port or a network side D channel when local routing is disabled.

If local routing is enabled, then any call coming in on a D channel will be routed to the first matching phone number, regardless of whether or not the match is for a local device.

Figure 5-6 shows a system connected to two carriers (A and B), two ISDN PBXs, two video codecs (#1 and #2) and a LAN router. The examples that follow help explain the call routing parameters.



**Figure 5-6. Call Routing**

In the example shown in Figure 5-6, the following call routings will occur:

- An incoming call to 700-737-2345 from either carrier will be routed to HSU port #1.
- Any outgoing call from any HSU port will be routed to the D channel specified in the call profile including D channels #3 and #4 to the PBXs.
- A call to 510-623-1574 from the PBX will be routed to carrier B.
- A call to 800-444-2400 from either carrier will be routed to PBX #2.
- A call from either PBX to 700-737-5511 will be routed to HSU #3 if local routing is enabled, but routed to Carrier A if local routing is disabled.
- A call from PBX #1 to 800-444-2095 will be routed to PBX #2 if local routing is enabled, but will be routed to Carrier B if local routing is disabled.



### 5.1.6 Call Profiles

A call profile is similar to a speed dial button on a telephone or fax machine. The user enters call profiles on the Interface Card and stores them in the system's memory. *The maximum number of call profiles is six.* These stored call profiles can be recalled from memory, copied to the HSU port memory, and used by that port to dial a call. The same call profile may be copied in the dialing memory of multiple HSU ports.

For ISDN calls, call profiles specify the D channel to use, the number to call, the data rate of the call, the service to use, and other pertinent information required to place the call.

Before any HSU port can dial a call, it must load a call profile from the main system memory into its own dialing memory. The HSU port can use the call profile "as is" or change the various parameters depending upon the calling needs. The loaded profile, including changes, will remain associated with the HSU port until another call profile is copied from the Interface card.

## 5.2 ISDN-PRI Card Description

### 5.2.1 ISDN-PRI Card Description (8840)

The ISDN-PRI (or "PRI") card is an eight-port card that offers users the ability to effectively terminate and manage both dedicated and switched carrier services in a single system. Eight D channels can be managed from a single card.

#### 5.2.1.1 Card Jumpers/Switch Settings

The ISDN-PRI card does not have any jumpers or switches on its motherboard.

#### 5.2.1.2 Installing the Card

Insert the ISDN-PRI card into one of the server card chassis slots (P1 to P3). The system can accommodate up to three server cards.

## 5.3 ISDN-PRI Card User Screens and Settings

### 5.3.1 ISDN-PRI Card Main Screen

The ISDN-PRI card must be configured before you can use it. Figure 5-7 shown the ISDN-PRI call status screen, which can be accessed by selecting the ISDN-PRI card from the Main Screen. The information shown in italics below is for reference only. The default ISDN-PRI call status screen does not show this type of information until after it is configured.

Node_1	P1	ISDN-PRI	Rev	A00-0	Ser	00101	12-31-99	14:33
ver:	1.5	page:	1	of	1			
Cref	Status	Called #	Calling #	Type	Dch	Bwdth		
1	<i>connected</i>	<i>4157316545</i>	<i>5106231574</i>	<i>bdata</i>	1	56u		
32769	<i>answered</i>	<i>5103537670</i>	<i>5105551212</i>	<i>bdata</i>	2	56u		
Refresh	pgUp	pgDn	Config	Perf	Main			

Figure 5-7. ISDN-PRI Call Status Screen

### 5.3.2 Main Screen Parameters

#### PAGE

The page reference shows how many pages of ISDN calls that are currently active in the system. Users can move through the pages using the “pgUp” and “pgDn” commands from the Menu of Actions.

#### CREF

The Call Reference number is a five digit number that uniquely identifies each call controlled by a specific D channel. A call reference number is valid only for the life of the call, and may be reused once the call is released. If the number is between 1-32768, it is an outgoing call from the system. If the number is 32769 or larger, the call is an incoming call to the system.

#### STATUS

The Status column shows the current status of each active call in the system. The possible call statuses are shown in Table 5-1 below.

***Special Note:** The information on this screen is not updated automatically. To receive the latest status information, users must press "R" (refresh) from the Menu of Actions to update the screen.*

**Table 5-1. Call Status Screen**

Call Status	Meaning
incoming	A call has been received by the system, but has not yet been answered.
outgoing	A call has been placed by the system to a far end user, but the far end has not yet answered.
connected	An incoming call has been answered by the system, but the far end has not yet confirmed that it knows the system has answered.
answered	Both ends (system end and the far end) have answered and the call is active.
disconnect	The far end has requested a disconnect and is waiting for the system to confirm.
released	The system has requested a disconnect and is waiting for the far end to confirm.

#### CALLED #

The called number is the phone number dialed by the originator of the call (either the system or the far end).

**CALLING #**

The calling number is the phone number of the call originator.

**TYPE**

The type of the call is either **voice**, **bdata** (56k or 64k), **H0** (384k), **H11** (1536k) or **MRate** (variable rate).

**DCH**

The D Channel number is the number of the D channel that is performing the signaling for that call.

**BWDTH**

The Bandwidth field indicates how much bandwidth is being used by the call and whether it is restricted or unrestricted (i.e., 64u, 64r).

**Table 5-2. ISDN-PRI Screen Menu of Actions**

<b>Action</b>	<b>Function</b>
Refresh	Updates the screen for calling activity since the last refresh.
pgUp	Scrolls list from back to front for long lists of ISDN calls.
pgDn	Scrolls list from front to back for long lists of ISDN calls.
Config	Invokes the D Channel configuration screen. Press to assign D channels and associated information.
Perf	Calls up the Performance Monitoring screen (see below for details).
Main	Returns to the Main System screen.

### 5.3.3 D Channel Configuration Screen

The D channel configuration screen consists of a static display on the top half of the screen, with a number of subscreens displayed on the bottom half of the screen. The bottom half subscreens are invoked by selecting from the menu items in the menu bar at the bottom of the D channel configuration screen.

The user **MUST** pay attention to which D channel (1-8) is highlighted when choosing **Intf.id**, **Bmap** or **sErVICES**. Each of these menu selections brings up the appropriate subscreen for the D channel that is highlighted when the menu item is selected.

Figure 5-3 shows the top level ISDN D channel configuration screen.

Note that there is a separate column for each D channel supported by the system. Table 5-3 lists the settings controlled on this screen along with their possible and default values.

Node_1	P1	ISDN-PRI		Rev	A5-0	Ser	00101	12-31-99	14:33
		1	2	3	4	5	6	7	8
STATE		stdby	stdby	stdby	stdby	stdby	stdby	stdby	stdby
WAN		w1-1	w1-1	w1-1	w1-1	w1-1	w1-1	w1-1	w1-1
TS		24	24	24	24	24	24	24	24
RATE		64k	64k	64k	64k	64k	64k	64k	64k
SIDE		user	user	user	user	user	user	user	user
SW. TYPE		fjtsu	fjtsu	fjtsu	fjtsu	fjtsu	fjtsu	fjtsu	fjtsu
DATA INV		no	no	no	no	no	no	no	no

Save	Intf	Bmap	sErV	rOut	special	Trunk	rtYpe	Dial	Perf	Main
------	------	------	------	------	---------	-------	-------	------	------	------

Figure 5-8. D Channel Configuration Screen

Table 5-3. Options and Defaults

Parameter	User Options	Default
STATE	stdby conf actv	stdby
WAN	w1-1 w1-2 w2-1 w2-2 w3-1 w3-2 w4-1 w4-2	w1-1
TS	1-24 1-31	24
RATE	56k 64k	64k
SIDE	user net	user
SW. TYPE	fjtsu att_4 dms_1 dms_2 att_5 ni_2 dpnss dass2 net_5 mcl	fjtsu
DATA INV	no yes	no

## STATE

The State setting determines the status of each D channel. The available options are **stdby**, **conf** or **actv**.

As with most other cards in the system, the **stdby** (standby) setting keeps the resource to which it is associated (in this case, the associated D channel) in inactive mode. When a D channel is in **stdby**, it does not use any system resources such as B channels or processor time on the ISDN PRI server card.

When a D channel is in **actv** (active) state, all B channels are reserved, and the system attempts to maintain its D channel session with the other end (e.g. switch or PBX) of the D channel. If the D channel loses contact with the other end when it is in the active state, a D channel alarm will be generated.

Because there are times when users want to temporarily suspend the D channel session with the other end (e.g., when adding additional B channels to the system), but do not want to lose all the D channel settings already completed (see caution below), a third state has been added to the D channels on the ISDN PRI card. The **conf** (configure) state is used to initially configure the D channel and to change the configuration later.

When a D channel is in the configure state, it does not attempt to maintain a protocol session with the far end. Also, B channels assigned to a D channel that is in the configure state are reserved for the D channel, and thus are not available to other D channels nor to other system modules (e.g. user ports or cross-connect) that might want to use them as DS0s. The only ways to free up B channels taken by a D channel in configure state is to free each resource individually, or to put the D channel back into standby state.



## CAUTION!

**When a D channel that is either in actv (active) or conf (configure) state is returned to standby state, Interface ID and BMap settings are lost and returned to their default values. Thus, caution should be exercised before returning a D channel to standby state.**

## WAN

The WAN setting shows the WAN link carrying this D channel. In standard applications (23B + D), the WAN link will be the same as the WAN link carrying the B channels. In NFAS applications, this may not be the case.

## TS

The TS (timeslot) setting identifies the timeslot on the WAN link that carries this D channel. Even though the system allows values that range from **1-24** for T1 links and **1-31** for E1 links, in almost all cases, TS 24 will be used for T1 applications and TS 16 will be used for E1 applications (when available).

## RATE

The Rate parameter allows users to choose the rate of the D channel. Even though the equipment allows values of **56k** and **64k**, in almost all cases, the rate of 64k will be used.

## SIDE

The options for this parameter are **user** (user side) and **net** (network side). See discussion earlier in this chapter that describes which side to choose.

## SW. TYPE

The Switch Type is selected from the possible central office equipment types to which the system is connected. The choices are **fjtsu** (Fujitsu), **att\_4** (AT&T #4ESS), **att\_5** (AT&T #5ESS<sup>®</sup>), **dms\_1** (DMS-100<sup>®</sup>), **dms\_2** (DMS-200<sup>®</sup>), **ni\_2** (National ISDN II), **dpnss** (Digital Private Network Signaling System), **dass2** (Digital Access Signaling System #2), **net\_5** (European ISDN), and **mcl**.

## DATA INV

The Data Inversion option allows users to select whether or not the HDLC (High level Data Link Control) will invert the data bits when B8ZS format is not available. In almost all cases, DATA INV should be set to **no**.

**Table 5-4. ISDN-PRI Screen Menu of Actions**

Action	Function
Save	Saves changes to settings.
Intf	Install and change the Interface Identifications for the highlighted D Channel.
Bmap	Install and change all ISDN B Channels for the highlighted D Channel. Shows a map of all timeslots in the system. See Assigning B Channels below.
sErv	Specifies which type of billing services can be used by the highlighted D Channel. Eight service types are available for each D Channel. Must have a two digit address code 00-99. 24 characters are allowed. See Assignment of Services below.
rOut	Specifies routing profiles for all ISDN D Channels. See Routing of Incoming Calls section below.
special	The Special Number table is a list of telephone numbers that will only be routed to the default D channel trunk. See Special Numbers section below.
Trunk	Displays the Trunk Routing screen. See the Trunk Routing section below.
rtType	The Routing type allows users to select the routing pattern for each D channel used by the system. See Routing Type section below
Dial	Activates a remote VT-100 terminal session with a remote system unit. User enters the phone number of the remote unit (see Remote Login Using the D Channel later in this chapter).
Perf	Shows accumulated performance statistics for the highlighted D Channel. See Performance section below.
Main	Returns to the Call Status screen. If changes are made to settings and not saved, the system will prompt you to save or lose changes.

### 5.3.4 Configuring ISDN Features

When one or more T1 WAN links terminating in a system are provisioned for ISDN PRI, users must configure the system's ISDN features before calls can be set up.

Configuring ISDN features consist of the following four steps:

1. Assigning interface identifications to WAN link(s)
2. Assigning B channels to the D channel(s)
3. Coding the call-by-call service(s) to be used
4. Assigning call routing information

Each of these steps is accessed from the top level D channel configuration screen by selecting the corresponding menu item to bring up the desired subscreen. Each subscreen is described in the following sections.



### 5.3.5 Assigning Interface Identifications

Each ISDN facility (interface) that terminates at the user's premises is assigned a unique **Intf. ID** (interface identification) by the carrier. Whenever the system signals the carrier switch on the D channel, it uses the **Intf. ID(s)** assigned by the carrier to tell the switch to which facility (interface) it is referring.



***Note:** In the unlikely (but possible) event that a single facility is split between two carriers (i.e., two D channels each controlling some of the B channels on that facility), it is possible that the same facility (interface) will have two different interface IDs—one for each carrier. Thus, the list of interface IDs is unique to a specific D channel only, but may be repeated across different D channels.*

Figure 5-9 shows the Interface Identification subscreen. This subscreen is accessed by placing the cursor in the column of the desired D channel, then pressing “i”. The list of all interfaces (WANs) then appear with their assigned interface IDs. The default value is 99, which means “interface ID not yet assigned.” Values for the Interface ID are **00-31** and **99**.

You must assign an interface ID to any WAN link that will contain B channels before you will be able to assign the specific B channels to that facility. If you assign a B channel to a WAN that is not assigned an Interface ID, the system message, “Intf.ID must be uniquely identified,” will appear when you try to activate the D channel. In the example shown in Figure 5-9, for D channel #1, the user plans to assign B channels on WAN 1-1, 1-2 and 2-1.

To change an interface ID, place the cursor over the desired Intf. ID, and press the “Enter” Key. Input the correct value in the space provided using the up and down arrow keys and press the “Enter” key again. Save your work, and press “m” to return to the main D channel configuration screen.

Node_1		P1	ISDN-PRI		Rev	A5-0	Ser	00101	12-31-99	14:33
		1	2	3	4	5	6	7	8	
STATE		conf	stdby	stdby	stdby	stdby	stdby	stdby	stdby	
WAN		w1-1	w1-1	w1-1	w1-1	w1-1	w1-1	w1-1	w1-1	
TS		24	24	24	24	24	24	24	24	
RATE		64k	64k	64k	64k	64k	64k	64k	64k	
SIDE		user	user	user	user	user	user	user	user	
SW. TYPE		att_4	att_4	att_4	att_4	att_4	att_4	att_4	att_4	
DATA INV		no	no	no	no	no	no	no	no	
Intf. ID	W1-1	00								
Intf. ID	W1-2	01								
Intf. ID	W2-1	02								
Intf. ID	W2-2	99								
Intf. ID	W3-1	99								
Intf. ID	W3-2	99								
Intf. ID	W4-1	99								
Intf. ID	W4-2	99								
Save		Main								

Figure 5-9. Interface Identification Screen

### 5.3.6 Assigning B Channels

Choosing the “Bmap” option from the D channel configuration screen of the ISDN card screen brings up the subscreen shown in Figure 5-10. This figure shows a typical “Bmap” screen. It is a detailed map of all the WAN timeslots available to users as potential B channels.

When D channel #1 is placed in the “Configure” mode, the system recognizes the assignment of WAN 1-1, timeslot #24 to this D channel and places it on the Bmap in the proper location. Notice that since all WAN links are T1 interfaces, the Bmap shows the last 7 places with a dash (-) indicating that the timeslot is unavailable for assignment.

Additionally, timeslots that are already in use by other resources (e.g. user ports and cross-connect) are “blocked-out” with the letter “x” in the appropriate WAN timeslot. This letter “x” means that these timeslots are used as DS0s, and thus are not available for use as B channels. In Figure 5-10, timeslots 14-19 on WAN 1-1 and timeslots 4-9 on WAN 1-2 are in use as DS0s and thus are unavailable for assignment.

Node_1	P1	ISDN-PRI		Rev A5-0	Ser 00101	12-31-99		14:33	
		1	2	3	4	5	6	7	8
STATE	conf	stdby	stdby	stdby	stdby	stdby	stdby	stdby	stdby
WAN	w1-1	w1-1	w1-1	w1-1	w1-1	w1-1	w1-1	w1-1	w1-1
TS	24	24	24	24	24	24	24	24	24
RATE	64k	64k	64k	64k	64k	64k	64k	64k	64k
SIDE	user	user	user	user	user	user	user	user	user
SW. TYPE	att_4	att_4	att_4	att_4	att_4	att_4	att_4	att_4	att_4
DATA INV	no	no	no	no	no	no	no	no	no
				1 1 1 1 1 1 1 1 1 1 2 2 2 2 2 2 2 2 3 3					
	1 2 3 4 5 6 7 8 9 0	1 2 3 4 5 6 7 8 9 0	1 2 3 4 5 6 7 8 9 0	1 2 3 4 5 6 7 8 9 0	1 2 3 4 5 6 7 8 9 0	1 2 3 4 5 6 7 8 9 0	1 2 3 4 5 6 7 8 9 0	1 2 3 4 5 6 7 8 9 0	1 2 3 4 5 6 7 8 9 0
w1-1				x x x x x x			d - - - - -		
w1-2	x x x x x x						d - - - - -		
w2-1							- - - - -		
w2-2							- - - - -		
w3-1							- - - - -		
w3-2							- - - - -		
w4-1							- - - - -		
w4-2							- - - - -		

Figure 5-10. Basic Bmap Screen

### 5.3.7 Assigning B Channels to One D Channel

B channels are assigned to the highlighted D channel by placing the cursor in the row representing the WAN link (interface) and the column representing the timeslot. Pressing the <Enter> key will place a lowercase “b” in that timeslot (the "Enter" key toggles the "b" off and on). This indicates that you have designated this timeslot as a B channel to be controlled by the highlighted D channel. You will not be able to place a “b” in any timeslot that is currently occupied by a letter, number or dash, because these timeslots are controlled by other system modules, thus are unavailable to this D channel.

Figure 5-11 shows 36 B channels assigned to D channel #1. In this example, the carrier requested that you use timeslots 1-9 on WAN 1-1, timeslots 11-19 on WAN 1-2, timeslots 1-9 on WAN 2-1 and timeslots 1-9 on WAN 2-2.

Node_1	P1	ISDN-PRI	Rev A5-0	Ser 00101	12-31-99	14:33		
STATE	1	2	3	4	5	6	7	8
	<b>conf</b>	stdby	stdby	stdby	stdby	stdby	stdby	stdby
WAN	w1-1	w1-1	w1-1	w1-1	w1-1	w1-1	w1-1	w1-1
TS	24	24	24	24	24	24	24	24
RATE	64k	64k	64k	64k	64k	64k	64k	64k
SIDE	user	user	user	user	user	user	user	user
SW. TYPE	att_4	att_4	att_4	att_4	att_4	att_4	att_4	att_4
DATA INV	no	no	no	no	no	no	no	no
			1 1 1 1 1 1 1 1 1 1	1 2 2 2 2 2 2 2 2 2	3 3			
	1 2 3 4 5 6 7 8 9 0	1 2 3 4 5 6 7 8 9 0	1 2 3 4 5 6 7 8 9 0	1 2 3 4 5 6 7 8 9 0	1 2 3 4 5 6 7 8 9 0	1 2 3 4 5 6 7 8 9 0	1 2 3 4 5 6 7 8 9 0	1
w1-1	b b b b b b b b			x x x x x x		d - - - - - -		
w1-2		x x x x x x	b b b b b b b b			- - - - - -		
w2-1	b b b b b b b b					- - - - - -		
w2-2	b b b b b b b b					- - - - - -		
w3-1						- - - - - -		
w3-2						- - - - - -		
w4-1						- - - - - -		
w4-2						- - - - - -		
Save	sTatus	truNk	Main					

Figure 5-11. Assigned Bmap Screen

Figure 5-12 shows the cross-connect screen for WAN 1-1 (see WAN chapter). Note that the D channel shows up on timeslot #24, the B channels appear in the proper timeslots, and the DS0s (in this case assigned to the card in user slot 5, port 1) also appear.

Node_1		W1 CSU+CSU		Rev A6-2 Ser 00101		12-31-99 14:33	
TS	XCON	TS	CIRCUIT_ID	TS	XCON	TS	CIRCUIT_ID
1	b-chan		status-idle	13			
2	b-chan		status-idle	14	U5-1	D-06	user_circuit
3	b-chan		status-idle	15	U5-1	D-07	user_circuit
4	b-chan		status-idle	16	U5-1	D-08	user_circuit
5	b-chan		status-idle	17	U5-1	D-09	user_circuit
6	b-chan		status-idle	18	U5-1	D-10	user_circuit
7	b-chan		status-idle	19	U5-1	D-11	user_circuit
8	b-chan		status-idle	20			
9	b-chan		status-idle	21			
10				22			
11				23			
12				24	p1-1	A-01	dchan_circuit

Refresh | Test | Main

Figure 5-12. WAN Cross-Connect Screen

### 5.3.8 Assignments for Two or More D Channels

Previous paragraphs dealt with multiple B channels for a single D channel. Often, the system will be called upon to manage the ISDN communication for more than one D channel, as described earlier in this chapter.

In Figure 5-13, D channel #2 is changed from **stdby** to **conf** and is assigned to timeslot #24 on WAN 1-2.

Node_1	P1	ISDN-PRI								Rev A5-0	Ser 00101	12-31-99 14:33
		1	2	3	4	5	6	7	8			
STATE		conf	conf	stdby	stdby	stdby	stdby	stdby	stdby			
WAN		w1-1	w1-2	w1-1	w1-1	w1-1	w1-1	w1-1	w1-1			
TS		24	24	24	24	24	24	24	24			
RATE		64k	64k	64k	64k	64k	64k	64k	64k			
SIDE		user	user	user	user	user	user	user	user			
SW. TYPE		att_4	att_4	att_4	att_4	att_4	att_4	att_4	att_4			
DATA INV		no	no	no	no	no	no	no	no			
				1 1 1 1 1 1 1 1 1 1								
	1 2 3 4 5 6 7 8 9 0			1 1 1 1 1 1 1 1 1 1								
w1-1	1 1 1 1 1 1 1 1 1 1				x x x x x x				d - - - - -			
w1-2		x x x x x x		1 1 1 1 1 1 1 1 1 1					d - - - - -			
w2-1	1 1 1 1 1 1 1 1 1 1			b b b b b b b b b b					- - - - -			
w2-1	1 1 1 1 1 1 1 1 1 1			b b b b b b b b b b					- - - - -			
w3-1	b b b b b b b b b b			b b b b b b b b b b					- - - - -			
w3-2									- - - - -			
w4-1									- - - - -			
w4-2									- - - - -			
Save		sStatus	trunNk	Main								

Figure 5-13. Assigning B Channels

When the Bmap selection is made (with D channel 2 highlighted), D channel #2 appears on WAN 1-2, timeslot 24.

DS0s are still represented by “x”s. B channels which have already been assigned to D channel #1 (and are therefore unavailable to D channel #2) are represented by “1”s.

Using the same procedure learned in the previous section, assign a lowercase "b" to each timeslot assigned by the carrier by pressing the <Enter> key in the column and row on the screen. In this example, timeslots #11-22 on WAN 2-1, #11-22 on WAN 2-2 and #1-24 on WAN 3-1 are assigned as B channels for D channel #2.

Remember to save your work before pressing “m” to return to the top level D channel configuration screen.

If you check the BMap for D Channel #1 again, the screen in Figure 5-14 shows the B channels controlled by D channel #1 (the currently highlighted D channel) as “b”s, and the B channels for D Channel #2 as “2”s.

In general, any B channel controlled by the highlighted D channel is shown as a “b”, and any B channel controlled by any other (non-highlighted) D channel is shown as the number of the D channel that controls it.

Node_1	P1 ISDN-PRI	Rev A5-0	Ser 00101	12-31-99 14:33																				
	1	2	3	4	5	6	7	8																
STATE	conf	conf	stdby	stdby	stdby	stdby	stdby	stdby																
WAN	w1-1	w1-2	w1-1	w1-1	w1-1	w1-1	w1-1	w1-1																
TS	24	24	24	24	24	24	24	24																
RATE	64k	64k	64k	64k	64k	64k	64k	64k																
SIDE	user	user	user	user	user	user	user	user																
SW. TYPE	att_4	att_4	att_4	att_4	att_4	att_4	att_4	att_4																
DATA INV	no	no	no	no	no	no	no	no																
									1 1 1 1 1 1 1 1 1 2 2 2 2 2 2 2 2 2 2 3 3															
	1 2 3 4 5 6 7 8 9 0	1 2 3 4 5 6 7 8 9 0	1 2 3 4 5 6 7 8 9 0	1 2 3 4 5 6 7 8 9 0	1 2 3 4 5 6 7 8 9 0	1 2 3 4 5 6 7 8 9 0	1 2 3 4 5 6 7 8 9 0	1 2 3 4 5 6 7 8 9 0	1 2 3 4 5 6 7 8 9 0	1 2 3 4 5 6 7 8 9 0	1 2 3 4 5 6 7 8 9 0	1 2 3 4 5 6 7 8 9 0	1 2 3 4 5 6 7 8 9 0	1 2 3 4 5 6 7 8 9 0	1 2 3 4 5 6 7 8 9 0	1 2 3 4 5 6 7 8 9 0	1 2 3 4 5 6 7 8 9 0	1 2 3 4 5 6 7 8 9 0	1 2 3 4 5 6 7 8 9 0	1 2 3 4 5 6 7 8 9 0				
w1-1	b b b b b b b b			x x x x x x																				
w1-2		x x x x x x																						
w2-1	b b b b b b b b		2 2 2 2 2 2 2 2																					
w2-2	b b b b b b b b		2 2 2 2 2 2 2 2																					
w3-1	2 2 2 2 2 2 2 2		2 2 2 2 2 2 2 2																					
w3-2																								
w4-1																								
w4-2																								

Figure 5-14. Completed BMap Screen

### 5.3.9 B Channel Status Screen

Active B channels may need to be taken out of service periodically for testing or maintenance by the user or the carrier. Choosing the “sTatus” option from the "Bmap" screen not only allows the user to execute these options for individual B channels on an active D channel, but also to review changes made by the carrier. Highlight the specific B channel and press the command option in the Menu of Actions to perform the desired action. Lower case letters signify changes made by the user; capitalized letters show carrier changes.

In Figure 5-15, B Channels on time slots 6-7 on WAN 1-1 are placed in an Out of Service condition, and B channels on time slots 16-17 on WAN 1-2 are placed in maintenance mode by the user. B channels on time slots 8-9 on WAN 1-1 are in maintenance mode by the carrier,

and B channels on time slots 6-9 on WAN 2-2 are out of service by the carrier. Users and carriers can only reinstate B channels taken out of service or placed in maintenance mode by themselves.

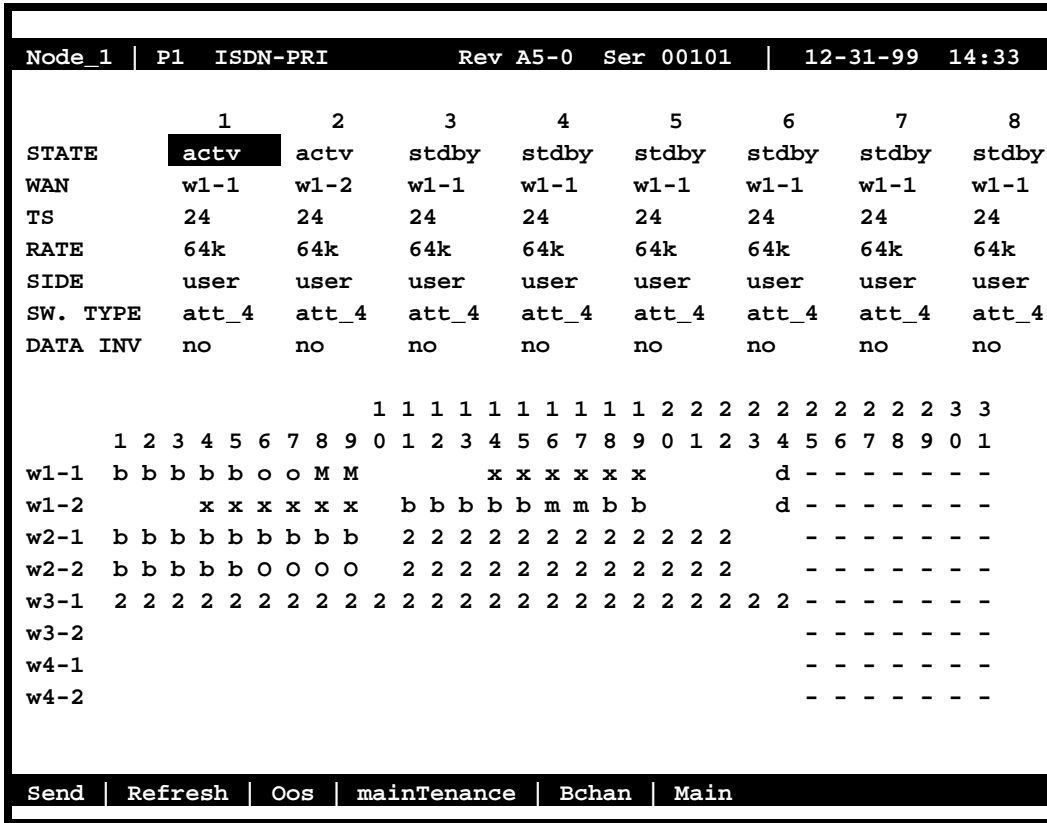


Figure 5-15. Status Screen



**Table 5-5. Status Screen Menu of Actions**

Action	Function
Send	Executes other Menu of Action commands. Changes in B channel states will not take effect until the Send command is issued. Send command also saves status changes.
Refresh	Updates status and time-related information fields that are not automatically updated (i.e., performance and test data).
Oos	Out of Service mode. Places the highlighted B channel in an unavailable state. Changes the "b" to an "o." Press the "B" command to return to service.
mainTenance	Testing or maintenance mode. Places the highlighted B channel in an unavailable state. Changes the "b" to an "m." Press the "B" command to return to service.
Bchan	Return to B channel operation. Returns the highlighted B channel in an available state. Changes the "m/o" to a "b."
Main	Returns to the Bmap screen. If changes are made to settings and not saved with Send command, the system will prompt you to save or lose changes.

### 5.3.10 Assigning ISDN Trunks Screen

An ISDN trunk is a group of B channels belonging to a single D channel. It consists of one or more B channels either contiguous or non-contiguous. All B channels in a trunk must belong to the same D channel. However, a trunk may be assigned across different WAN links when NFAS is used.

To access the Trunk Assignment screen, you must highlight the D channel on the Configuration screen and press "B" to access the B channel screen. Pressing "N" from the Menu of Actions will bring up the Trunk Assignment screen. To assign a B channel to a trunk group, place the cursor over the desired B channel and press the letter of the trunk group to which you want to assign this B channel. **Capital** letters between "A" and "O" are the only acceptable options. Figure 5-16 shows a typical Bmap screen with four different D channels. To simplify this discussion, all four D channels have eight B channels.

Node_1	P1	ISDN-PRI								Rev A5-0	Ser 00101	12-31-99	14:33									
		1	2	3	4	5	6	7	8													
STATE		conf	conf	conf	conf	stdby	stdby	stdby	stdby													
WAN		w1-1	w1-2	w1-1	w1-1	w1-1	w1-1	w1-1	w1-1													
TS		24	24	24	24	24	24	24	24													
RATE		64k	64k	64k	64k	64k	64k	64k	64k													
SIDE		user	user	user	user	user	user	user	user													
SW. TYPE		fjtsu	fjtsu	fjtsu	fjtsu	fjtsu	fjtsu	fjtsu	fjtsu													
DATA INV		no	no	no	no	no	no	no	no													
										1 1 1 1 1 1 1 1 1 1 2 2 2 2 2 2 2 2 2 2 3 3												
		1	2	3	4	5	6	7	8	9	0	1	2	3	4	5	6	7	8	9	0	1
w1-1		A	A	b	b	b	b	b	b	b												
w1-2		b	b	b	b	B	B	b	b	b												
w2-1		b	b	b	b	b	b	C	C													
w2-2		D	D	b	b	b	b	b	b													
w3-1																						
w3-2																						
w4-1																						
w4-2																						

Figure 5-16. Assigned Trunk Screen

The first D channel on WAN1-1 has eight B channels. The first two B channels are assigned to Trunk Group “A.” The second D channel on WAN 1-2 also has eight B channels. B channels #5-6 are assigned to Trunk Group “B.” The third D channel on WAN2-1 has eight B channels. B channels #7-8 are assigned to Trunk Group “C.” The fourth D channel on WAN 2-2 also has eight B channels. B channels #1-2 are assigned to Trunk Group “D.”

Once assigned to Trunk Groups, ISDN trunks can be placed in a routing table to show how to route incoming ISDN calls that need to be passed on to downstream equipment.

### 5.3.11 Routing ISDN Trunks Screen

To select a routing pattern for the ISDN trunks created in the previous section, users must access the Trunk Routing screen from the Configuration screen. Pressing “T” from the Menu of Actions will bring up the Trunk Routing screen. To add a new trunk routing pattern, users must press “A” from the Menu of Actions, which will bring up the screen shown as Figure 5-17.

```

Node_1 | P1 ISDN-PRI          Rev A5-0   Ser 00101 | 12-31-99  14:33
-----|-----|-----|-----|-----|-----|-----|-----|
page : 1 of 1

INCOMING TRUNK   OUTGOING TRUNK1   OUTGOING TRUNK2   OUTGOING TRUNK3

dchan:1 trunk:a  dchan:1 trunk:A  dchan:1 trunk:A  dchan:1 trunk:A

Add | uPdate | dElete | pgUp | pgDn | Main

```

**Figure 5-17. Add Trunk Route Screen**

The user should use the “right arrow” and “left arrow” keys to move the cursor through the eight sections (four D channels and four trunks) of the new trunk route. Press the <Enter> key to change each section. D channel numbers are changed with the “up arrow” and “down arrow” that scroll through numbers 1-8 (the maximum number of D channels per system). The user changes trunk letters by typing a **capital** letter from A-to O (the fifteen available trunk letters per D channel).

**All eight fields must be changed for each new trunk route.** For instance, if you want a single incoming trunk group to be routed to three outgoing trunk groups on three different D channels, the process is easy. In Figure 5-18 the first trunk route shows this configuration. D

channel #1, trunk group "A" is to be routed to D channel #2, trunk group "B." If that route is busy, it will be routed to D channel #3, trunk group "C." If that route is busy, it will be routed to D channel #4, trunk group "D." If that route is busy, the unit will drop the call.

Another example of this procedure is shown in Figure 5-18. If you want a single incoming trunk group to be routed to only one outgoing trunk group, D channel #1, trunk group "A" is routed to D channel #2, trunk group "B." **The alternate routes 2-3 must contain the same information in alternate route #2.** Since this is the only alternative route, if that route is busy, the unit will drop the call.

```

Node_1 | P1 ISDN-PRI          Rev A5-0   Ser 00101 | 12-31-99 14:33
-----|-----|-----|-----|-----|-----|-----|-----
page : 1 of 1

INCOMING TRUNK   OUTGOING TRUNK1   OUTGOING TRUNK2   OUTGOING TRUNK3
dchan:1  trunk:A   dchan:2  trunk:B   dchan:3  trunk:C   dchan:4  trunk:D
dchan:1  trunk:A   dchan:2  trunk:B   dchan:2  trunk:B   dchan:1  trunk:B

Add | update | delete | pgUp | pgDn | Main

```

Figure 5-18. Add Trunk Route Screen

### 5.3.12 Assignment of Services Screen

Some carriers support call-by-call service selection in their ISDN PRI offerings. This feature allows users to select a different service (and, usually, a different billing rate) for each call placed.

If call-by-call service is supported, users must tell the system which service(s) is/are supported by each D channel, and what the code is for each service. The carrier will supply a service code for each supported service. The Service format code is **always** two digits, a space and the name of the service. When placing a call using call profiles, only valid service codes will be allowed (see Call Profiles below for additional information about services).

If call-by-call service selection is not supported by the carrier or not required for the user's applications, then there is no need to assign service to a D channel.

Figure 5-19 shows the Services screen and the assignment of two mythical services (MASTERPIECE and BUSINESS PLAN) to D channel #1. The service codes of "01" and "02" were assigned by the carrier to these services. Remember to Save your work before returning to the top level D channel configuration screen.

(Pressing the Clear command will erase all Service entries for the highlighted D channel.)

Node_1	P1	ISDN-PRI			Rev A5-0	Ser 00101	12-31-99	14:33
	1	2	3	4	5	6	7	8
STATE	conf	stdby	stdby	stdby	stdby	stdby	stdby	stdby
WAN	w1-1	w1-1	w1-1	w1-1	w1-1	w1-1	w1-1	w1-1
TS	24	24	24	24	24	24	24	24
RATE	64k	64k	64k	64k	64k	64k	64k	64k
SIDE	user	user	user	user	user	user	user	user
SW. TYPE	att_4	att_4	att_4	att_4	att_4	att_4	att_4	att_4
DATA INV	no	no	no	no	no	no	no	no
SERVICE 1:	01 Masterpiece							
SERVICE 2:	02 Business Plan							
SERVICE 3:								
SERVICE 4:								
SERVICE 5:								
SERVICE 6:								
SERVICE 7:								
SERVICE 8:								
Save   Clear   Main								

Figure 5-19. Assigning Services Screen

### 5.3.13 Routing of Incoming Calls Screen

Call routing in the system is described in the introduction section of this chapter. Assignment of phone numbers for routing calls between D channels is done from the routing subscreen.

Figure 5-20 shows the ISDN routing subscreen. It is accessed from the D channel configuration screen by pressing “o” (lowercase letter o).

Node_1	P1	ISDN-PRI	Rev	A5-0	Ser	00101	12-31-99	14:33
	1	2	3	4	5	6	7	8
STATE	conf	stdby	stdby	stdby	stdby	stdby	stdby	stdby
WAN	w1-1	w1-1	w1-1	w1-1	w1-1	w1-1	w1-1	w1-1
TS	24	24	24	24	24	24	24	24
RATE	64k	64k	64k	64k	64k	64k	64k	64k
SIDE	user	user	user	user	user	user	user	user
SW. TYPE	att_4	att_4	att_4	att_4	att_4	att_4	att_4	att_4
DATA INV	no	no	no	no	no	no	no	no
Route local : yes								
D-Chan 1:		415940xxxx		415975xxxx				
D-Chan 2:		510xxxxxxxx		510353xxxx				
D-Chan 3:		xxxxxxxxxxxx						
D-Chan 4:		xxxxxxx4700		415221xxxx				
D-Chan 5:								
D-Chan 6:								
D-Chan 7:								
D-Chan 8:								
Save	Clear	Main						

**Figure 5-20. Routing Numbers Screen**

Each D channel may be assigned two ten-digit phone numbers to be used for routing calls addressed to those phone numbers. The use of the wild card letter “x” means any digit will match. Note that D channel routing occurs only after all attempts to route a call to an HSU port are unsuccessful.

If local routing is disabled (Route Local = **no**), any call coming into the system on a network side (i.e., local) D channel will be routed only to a user side D channel based on the called number. Even if the called number matches, such a call will never be routed to an HSU port or a network side D channel when local routing is disabled.

The routing table should always contain the default number "xxxxxxxx" (10 Xs) to make sure that all dialed numbers are routed to the network.

If local routing is enabled (Route Local = **yes**), then any call coming in on a D channel will be routed to the first matching phone number, regardless of whether or not the match is for a local device.

Any calls originating from an HSU port will be routed to the D channel specified in the call profile, regardless of the called number.

### 5.3.14 Special Numbers Screen

Pressing L from the Menu of Actions will bring up the Special Numbers screen shown in Figure 5-21. Special numbers are any telephone numbers that the user does not want routed to HSU cards. Special numbers have the highest priority in the number searching process. Any number that matches one of the special numbers will always be routed to the default trunk "xxxxxxxx," to the ISDN network and then into the Public Switched Network.

Some special numbers used in the United States include "0," "00," "911," "411" and "611." Some special numbers used in the foreign countries includes "0," "119" and "110." The special number table can contain telephone numbers up to 10 digits in length. It also includes the use of the "+" character, so that the special number "0+" would include any series of numbers that starts with the number "0." The character "x" is used as a wildcard in the same way as the routing table.



Node_1	P1	ISDN-PRI		Rev A5-0	Ser 00101	12-31-99	14:33	
	1	2	3	4	5	6	7	8
STATE	conf	stdby	stdby	stdby	stdby	stdby	stdby	stdby
WAN	w1-1	w1-1	w1-1	w1-1	w1-1	w1-1	w1-1	w1-1
TS	24	24	24	24	24	24	24	24
RATE	64k	64k	64k	64k	64k	64k	64k	64k
SIDE	user	user	user	user	user	user	user	user
SW. TYPE	att_4	att_4	att_4	att_4	att_4	att_4	att_4	att_4
DATA INV	no	no	no	no	no	no	no	no
SPECIAL 1:	[REDACTED]							
SPECIAL 2:								
SPECIAL 3:								
SPECIAL 4:								
SPECIAL 5:								
SPECIAL 6:								
SPECIAL 7:								
SPECIAL 8:								
Save		Clear		Main				

Figure 5-21. Special Numbers Screen

### 5.3.15 Performance Monitoring Screen

Another special feature of the ISDN-PRI card is the ability to track and log performance statistics on incoming and outgoing ISDN traffic for each D channel. The Performance Monitoring screen is accessed from the Configure screen by highlighting the D channel with the cursor and pressing the "P" command from the Menu of Actions. Figure 5-22 shows the Performance Monitoring screen.

Node_1   P1 ISDN-PRI Rev A5-0 Ser 00101   12-31-99 14:33								
OUTGOIN	CLATT	CLSUC	CLREJ	NDISC	EDISC	PDISC	NMPKT	ERPKT
CUR	0	0	0	0	0	0	0	0
01	-----	-----	-----	-----	-----	-----	-----	-----
02	-----	-----	-----	-----	-----	-----	-----	-----
03	-----	-----	-----	-----	-----	-----	-----	-----
04	-----	-----	-----	-----	-----	-----	-----	-----
05	-----	-----	-----	-----	-----	-----	-----	-----
06	-----	-----	-----	-----	-----	-----	-----	-----
07	-----	-----	-----	-----	-----	-----	-----	-----
08	-----	-----	-----	-----	-----	-----	-----	-----
09	-----	-----	-----	-----	-----	-----	-----	-----
10	-----	-----	-----	-----	-----	-----	-----	-----
11	-----	-----	-----	-----	-----	-----	-----	-----
12	-----	-----	-----	-----	-----	-----	-----	-----
TOTAL	0	0	0	0	0	0	0	0
Refresh   Clear   pgUp   pgDn   Outgoing   Incoming   Main								

**Figure 5-22. Performance Monitoring Screen**

Calling statistics are kept for one hour periods for the current hour and the previous 24 one-hour periods. As each hour passes, the statistics for the twenty-fourth hour are dropped. Users can scroll through the current figures using the "U" (pgUp) and "D" (pgDn) commands from the Menu of Actions.

Since the system does not log statistics incrementally (i.e., second by second), the only way to have truly current figures is to use the "R" (Refresh) command from the Menu of Actions which redraws the screen with the new information.

**TIME PERIOD COLUMN**

The first column shows one-half of the current 24 hour one-hour periods and the total calculation of each field for the entire 24 hour period. The top of the column shows if the statistics are based on either outgoing or incoming calls and will toggle back-and-forth from commands in the Menu of Actions.

**CLATT**

The Calls Attempted column shows the total number of calls initiated on the selected D channel.

**CLSUC**

The Calls Successful column shows the total number of calls initiated on the selected D channel that were completed to the destination required.

**CLREJ**

The Calls Rejected column shows the total number of calls initiated on the selected D channel that were not completed to the destination required due to call-setup problems.

**NDISC**

The Normal Disconnect column shows the total number of calls completed on the selected D channel that were disconnected through hang-up by the calling number.

**EDISC**

The Error Disconnect column shows the total number of calls completed on the selected D channel that were disconnected through some unpredictable equipment error.

**PDISC**

The Peer Disconnect column shows the total number of calls completed on the selected D channel that were disconnected through hang-up by the called number.

**NMPKT**

The Number of Packets column shows the total number of good HDLC frames that were sent during the one hour period. This number, plus ERPKT, will equal the total number of packets sent.

## ERPKT

The Errored Packets column shows the total number of HDLC frames that were in error during the one hour period.

### 5.3.16 Remote Login Using the D Channel

In addition to carrying ISDN signaling information, the D channel can also be used to log into a remote system unit to check card status, and perform necessary system maintenance. This unique application does not require B channel allocation. The ISDN call is placed on the D channel to the ISDN network and routed to the D channel of the remote unit. Coordination with the ISDN facility provider is necessary to obtain the number for the remote system unit.

The ISDN card software must be version 1.2 or higher (the software version is printed on the ROM chip on the printed circuit board).

On the CPU card screen on the remote system unit, change the "D Chan Ph #" from blank to the ten digit ISDN phone number assigned to the unit. Figure 5-23 shows a completed CPU card screen for the Remote system.

```

Remote | C1 CPU XCON          Rev C1-0   Ser 01103 | 12-31-99 14:33
-----|-----|-----|-----|-----|-----
N1
NODE ID      1
SUPERUSER    Remote
MANAGER      *****
OPERATOR     Manager
VIEWER       Operator
SYS CONT.    Viewer
SYS LOC
SYS PH#
ALRM SEQ     all
ACO          cur

C1 Active Host 5.0   Voice 5.0

Save | Undo | Refresh | Prt | tcp/Ip | Main

```

Figure 5-23. CPU Card Screen

### 5.3.17 Initiate Remote Login Screen

From the ISDN Configure screen of the Local system, press the "D" (Dial) command from the Menu of Actions and the system will prompt you to enter the phone number. Enter the phone number assigned to the remote system on the CPU card and press the <Enter> key. The local system will start a terminal session with the remote system. Figure 5-24 shows the ISDN Card screen.

Local   P1 ISDN-PRI Rev A5-0 Ser 00101   12-31-99 14:33								
	1	2	3	4	5	6	7	8
STATE	actv	stdby	stdby	stdby	stdby	stdby	stdby	stdby
WAN	w1-1	w1-1	w1-1	w1-1	w1-1	w1-1	w1-1	w1-1
TS	24	24	24	24	24	24	24	24
RATE	64k	64k	64k	64k	64k	64k	64k	64k
SIDE	user	user	user	user	user	user	user	user
SW. TYPE	att_4	att_4	att_4	att_4	att_4	att_4	att_4	att_4
DATA INV	no	no	no	no	no	no	no	no
Enter phone #: <input type="text"/>								
Save   Intf. id   Bmap   sErVICES   rOut   special   Dial   Perf   Main								

Figure 5-24. ISDN Card Screen

#### 5.3.17.1 Terminate the Session

Logging off the remote system using the "L" (Logout) command from the Menu of Actions on the Main screen will terminate the remote session and return the system to normal control.

## 5.4 ISDN-PRI Card Error Messages

Refer to Appendix B in the System Reference Guide for further information on Error Messages regarding this card.

## 5.5 ISDN-PRI Card Troubleshooting

ISDN-PRI card problems could indicate a number of possible causes, including:

- Faulty ISDN PBX/CPE at the near end (where the problem was first noticed)
- Faulty ISDN PBX/CPE at the far (opposite) end
- T1 or E1 network failure
- T1 or E1 D-channel failure
- Improper network switch configuration
- Improper ISDN-PRI card configuration

Typically, a problem is indicated by the inability to originate or receive/route calls. You can perform numerous tasks to isolate the trouble and clear it. When troubleshooting problems on a call routing through an ISDN-PRI card, follow this general sequence:

1. If all calls are affected, verify that the US/EUR jumper is correctly placed to match the US/EUR jumper on the chassis. The ISDN-PRI card performs a self-test on power-up. A “healthy” card will have a green LED lit on the front panel. Do not proceed with further steps until a green LED is present.
2. Verify that the T1 or E1 network is working properly by checking for current CGA-Red and CGA-Yellow alarms. If an ISDN-PRI DS-1 is faulty, a D-channel alarm will also be present. If no CGA alarms on ISDN-PRI DS-1s are present, but a D-channel alarm is present continue with step 3. If there is no D-channel alarm continue with step 4.
3. A D-channel alarm will be posted if the ISDN D-channel is not communicating properly with the ISDN switch/PBX connected to the WAN port. Verify the configuration settings for the affected ISDN port. Be sure the port is connected to the proper WAN card and port, that the correct **SIDE** (**net** or **user**) is selected and that the appropriate **SW. TYPE** has been chosen. If these assignments appear correct, it may be necessary to consult with the network or PBX provider to clear the D-channel alarm. Do not proceed with further steps until the D-channel alarm is cleared. In the alarm filter screen DCHAN alarm needs to be set as “log” or “report” to see ISDN D channel alarms (the default is “ignore”).



**Note:** When changing configuration settings on the ISDN-PRI card, set **STATE** to **conf** (for “configure”), make changes and then set **STATE** to **actv**. Selecting **stdby** will cause the configuration information for that D-channel to return to the default parameters.

4. The Call Status Screen will indicate if any calls are currently connected through the ISDN-PRI card. Review the Call Status Screen to determine if calls from any of the ISDN ports are currently active. Generate calls through the ISDN-PRI card and review the performance register information (accessed by pressing **P** from the ISDN-PRI Main Screen) for the affected D-channel(s). This will assist in determining the extent and possible cause of call failures (error disconnects, call attempt, call rejected, etc.). Many configuration parameters can affect an ISDN call. Verify that all configuration options (routing, B-channel assignment and status, etc.) are correct before proceeding.



**Note:** When changing configuration settings on the ISDN-PRI card, set **STATE** to **conf** (for “configure”), make changes and then set **STATE** to **actv**. Selecting **stdby** will cause the configuration information for that D-channel to return to the default parameters.

5. If an HSU card is being used to originate or receive ISDN calls, additional circuit tests can be performed. Once an end-to-end call is established, use the loopback and test signal functions of the HSU card to test the affected port. These tests are accessible from the HSU Card Main Screen and associated Test Screen, as described in the HSU chapter. They allow you to test the end-to-end circuit path for that call.
6. If the ISDN-PRI card is determined to be faulty, replace it and return the faulty unit for repair to the location specified by your distributor





# Chapter 6

## PRI-BRI Card

### 6.1 Introduction

The PRI-BRI server card offers users the ability to effectively terminate and manage both dedicated and switched carrier services in a single system. This capability allows users to pick the most cost-effective services for both permanent connections (e.g., LAN-to-WAN) and periodic connections (e.g., video conferencing). In addition it also enables originating and receiving calls to BRI cards.

Three specific features enable the system to use PRI-BRI services, and are therefore covered in this chapter. These features are:

- PRI-BRI server card
- Call profiles (accessed from the Interface Card)
- HSU-AD 530/35 switched services data card

The switched services HSU card information is repeated in the chapter on HSU cards, and the call profile information is repeated in the Interface Card chapter.

#### 6.1.1 Definitions

##### 6.1.1.1 Timeslot

Each T1 or E1 WAN link accessed by the system is subdivided into individual 64 kbps channels called timeslots (T1 has 24 timeslots, E1 has 32). A timeslot is sometimes also called a DS0 or a B (bearer) channel. While all three terms refer to the same concept, this manual will assign arbitrary definitions to distinguish timeslots controlled by ISDN from those that are not.

##### 6.1.1.2 DS0

**A DS0 is a timeslot on any WAN link that is not controlled by an ISDN signaling channel (the D channel).** Thus, DS0s are controlled via assigning user ports to WAN timeslots (see individual user card chapters) and via setting up cross-connect circuits (see Chapter 4, *System Configuration and Operation* in the *System Reference Guide*).

### 6.1.1.3 B Channel

A **B channel** is a timeslot on any WAN link that is controlled by an ISDN **D channel**. B channel assignments to WAN links are used dynamically by the system as incoming and outgoing ISDN calls occur.

In the system, every timeslot is either a B channel or a DS0. Users can define which is which via the D channel configuration screen described later in this chapter.

### 6.1.1.4 D Channel

A **D channel** carries signaling information for all B channels with which it is associated. Each D channel occupies an entire timeslot which is dedicated to ISDN signaling. The D channel can also be used to log into a remote system unit (see later in this chapter).

### 6.1.1.5 Facility

A facility is another term for an individual T1 or E1 WAN link.

### 6.1.1.6 Interface

The term “interface” is used interchangeably with facility when referring to an ISDN link.

### 6.1.1.7 NFAS (Non-Facility Associated Signaling)

A basic PRI-BRI facility is a T1 link that consists of 23 B channels and 1 D channel (23B+D), or an E1 link that consists of 30 B channels and 1 D channel (30B+D). Note that one timeslot on any E1 link is reserved for maintenance use and is neither a B channel nor a D channel. The D channel provides signaling for all (23 or 30) of the B channels on the facility carrying the D channel.

However, many ISDN applications have relatively low call rates (i.e., the D channel is not very busy), but need more than 23 (or 30) B channels to carry user (bearer) traffic. In these cases, a D channel can be set up to perform signaling not only for the B channels on its own facility, but also for B channels on other facilities (i.e., other T1/E1 WAN links). When a D channel is so provisioned, it is considered to be performing **non-facility associated signaling (NFAS)**.

Some carriers' implementations of NFAS allow one D channel to carry signaling for up to 20 facilities (i.e., 479 B channels and 1 D channel in a T1 environment). However, the system is limited to 8 WAN links. Thus, the system limit for NFAS is 191B+D in T1 environments (8 times 24 minus 1 D channel), and 239B+D in E1 environments (8 times 30 minus 1).

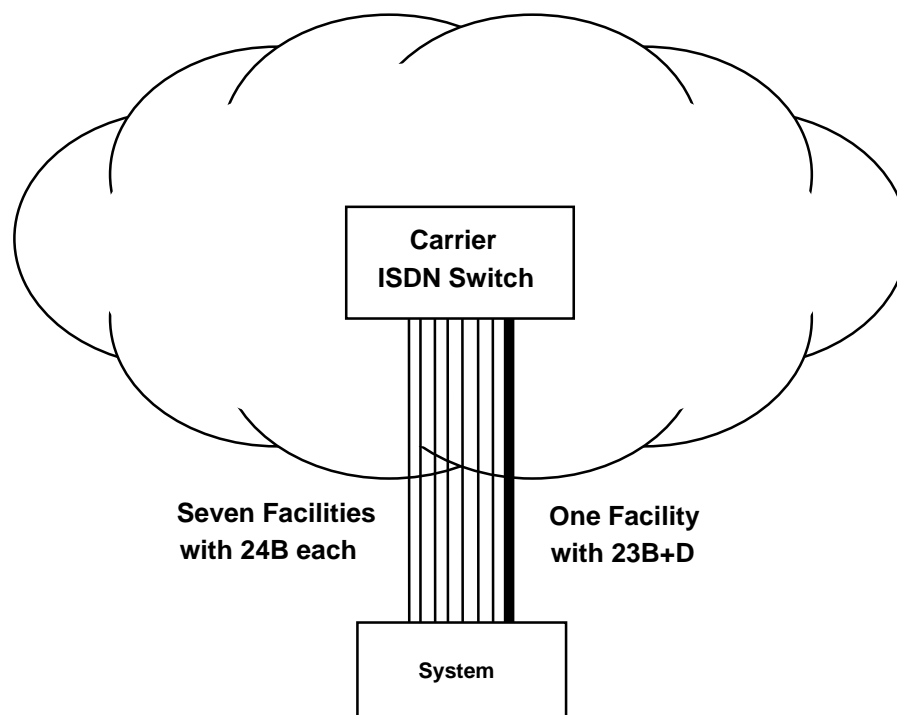
### 6.1.1.8 Trunks

An ISDN trunk is a logical division of B channels pertaining to a D channel. It consists of one or more contiguous or non-contiguous B channels. All B channels in a trunk must belong to the same D channel. However, a trunk may be assigned across different physical interfaces when NFAS is used.

## 6.1.2 Selecting D Channels, B Channels, and DS0s

The D channel configuration screens described later in this chapter show how to configure D channels, assign B channels to one or more D channels, and how to identify dedicated DS0s that cannot be used as B channels. This section will give a few examples of applications that would require various combinations of D channel(s), B channels, and DS0s.

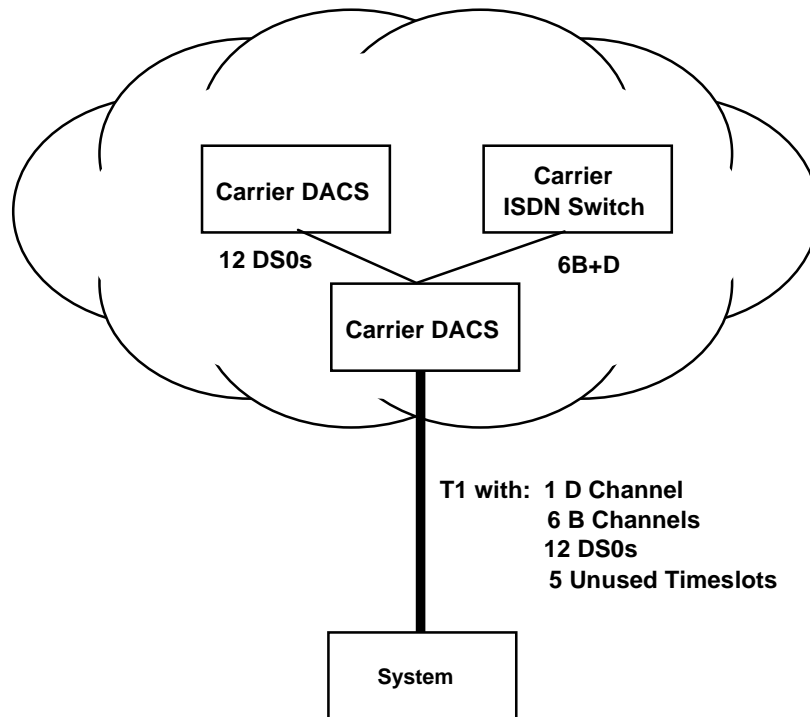
Figure 6-1 shows an application where a single D channel performs ISDN signaling for 8 T1's worth of B channels (191 B+D). There are actually 8 separate T1 facilities: seven with 24 B channels each, and one with 23 B channels and one D channel.



**Figure 6-1. ISDN Channels: 191B+D**

Figure 6-2 shows an application where a user needs less than 23 B channels (say 6 B channels for video), and some dedicated DS0s (say 12 for LAN-WAN interconnect). In this case, the D channel, B channels, and the DS0s all run on the same facility from the equipment to the

carrier. Inside the carrier's facility access point, the D and B channels are extracted from the facility and sent to the ISDN switch, and the 12 DS0s are extracted from the facility and sent to the carrier's dedicated DACS network. In this example, 5 timeslots are unused.



**Figure 6-2. DS0s and B Channels on the Same Facility**

Figure 6-3 shows an application that requires 3 D channels. The user has ordered a 23B+D facility to each of two different carriers. The third facility is a local NFAS (47B+D) connection to the user's PBX. In this application, the system will route calls from the PBX to the appropriate carrier based on called phone number (see Call Routing section later in this chapter).

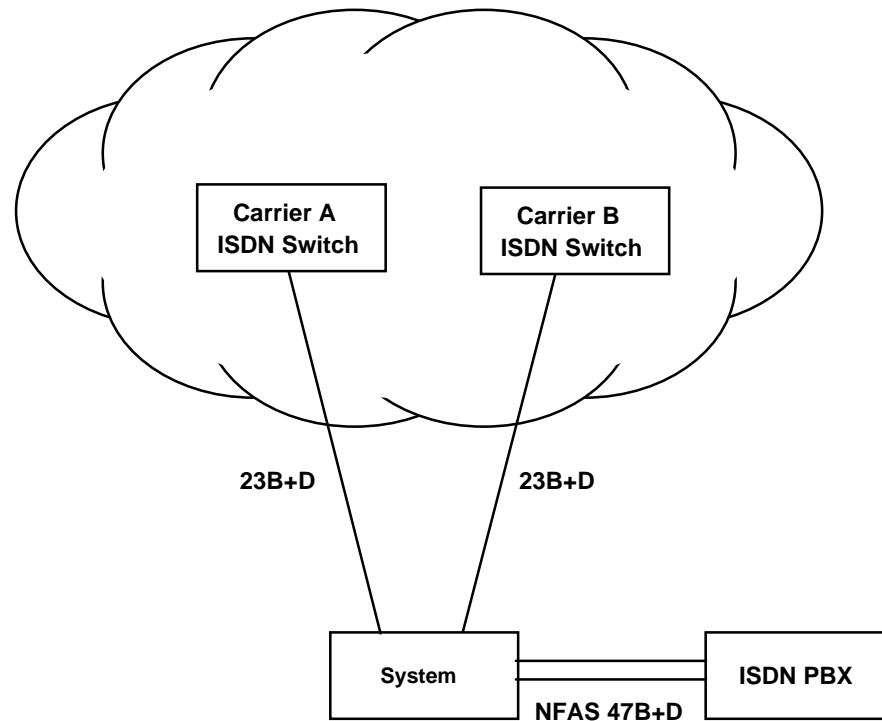


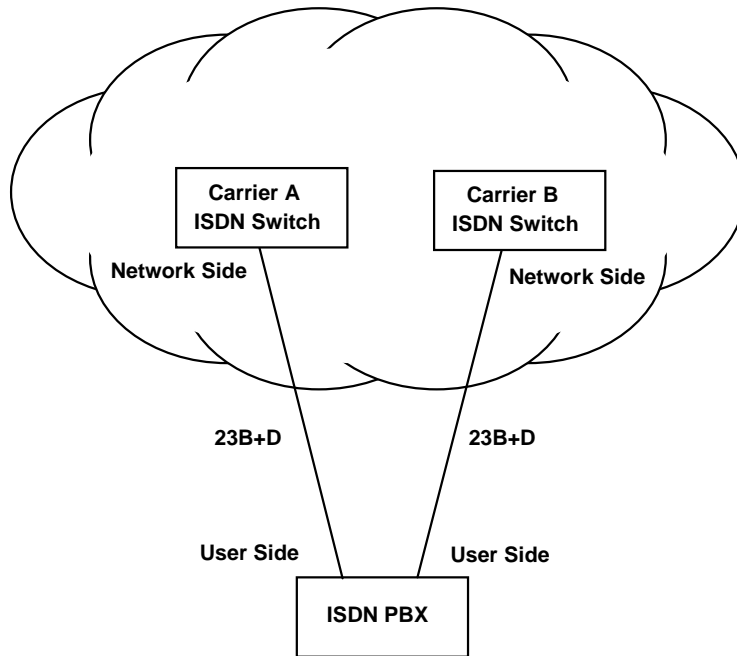
Figure 6-3. PRI-BRI Links to Two Carriers from an ISDN PBX

### 6.1.3 Network and User Side Protocols

In the example application shown in Figure 6-3, there is an important difference between the two D channels terminating in the carrier switches and the D channel terminating in the user's PBX. The ISDN signaling protocol that runs on the D channel is not symmetrical. Signaling messages are treated differently depending on whether the D channel is setup to run the **network side** protocol or the **user side** protocol. All carrier switches run the network side protocol, and all user devices connected directly to a network switch must run the user side protocol. In general, network side applications cannot be connected to other network side applications. **Local routing, the exception to this rule, is explained in the next section.**

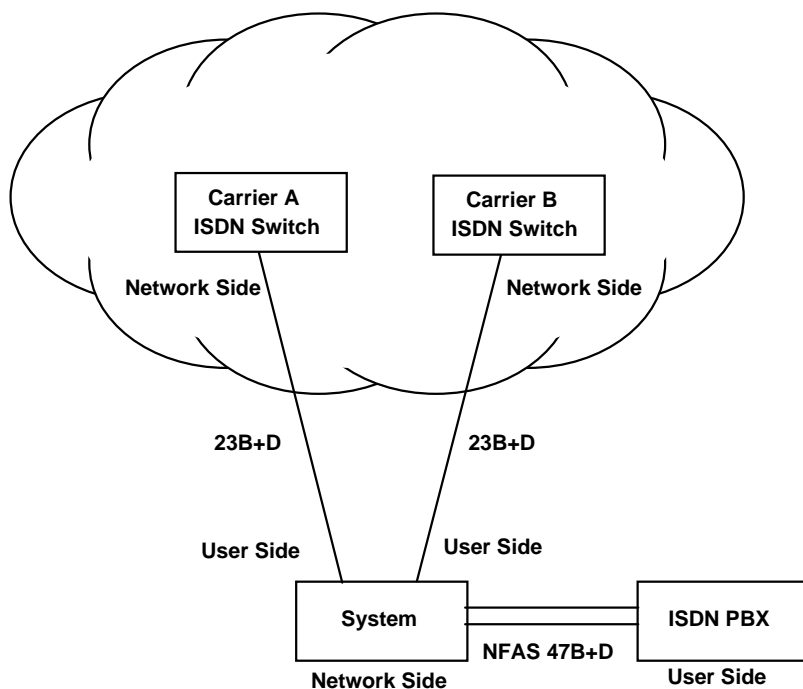
Figure 6-4 shows how the application in Figure 6-3 would be set up if the user's PBX was **not** connected to the system.

The disadvantage of this configuration is that the PBX may not be able to support two D channels, may not be able to handle the differences in D channel protocols between the two carriers, and may not be able to route calls to the appropriate carrier.



**Figure 6-4. PRI-BRI Links to Two Carriers**

Figure 6-5 shows how the system overcomes these disadvantages. Note that the configuration in Figure 6-5 is identical to the one in Figure 6-3. Figure 6-5 highlights the ability of the system to be able to set the protocol between network side and user side for each D channel it uses. Since the PBX can only run the user side protocol, the system must run the network side protocol on the D channel connected to the PBX. However, on the D channels connected to the carrier switches, the system must run the user side protocol.



**Figure 6-5. Network and User Side Protocols**

## 6.1.4 Call Routing

The system can be simultaneously connected to several network and user side PRI-BRI facilities and to a user's data terminal equipment (DTE) such as a video codec or a LAN router. The DTE is typically connected through one or more of the system's HSU cards.

### 6.1.4.1 Calls Originating from an HSU Port

Any call originating from an HSU port must be associated with a call profile (see Call Profiles section). The call profile specifies which D channel is to carry the call. The system will always route an outgoing HSU call to B channels controlled by the D channel specified in the call profile. If no B channels are available, the call will not be placed.

### 6.1.4.2 Calls Destined to an HSU Port

Each HSU port in the system that is available to receive incoming calls must be assigned a unique primary phone number that allows the system to route an incoming call to it (see the Dial screen in the HSU section). Optionally, a hunt group phone number (which need not be unique) can also be assigned to the same HSU port.

When an incoming call is received by the system, it first scans all of the primary HSU phone numbers to attempt a match. If a match occurs, the call is routed to that HSU port. If no match is found, the system then searches the list of hunt group numbers to find a match. The call will be routed to the first HSU port with a matching hunt group phone number.

If a match is still not found, the system begins searching the D channel routing tables (see next section). If no match is found after all searches are finished, the system rejects the incoming call.

### 6.1.4.3 Calls Originating from a D Channel

All calls originating from a D channel are considered incoming calls to the system because the system is first made aware of the call when an incoming call message is received on the originating D channel.

As described above, the system first tries to route any incoming call from a D channel to an HSU port. If it cannot match the called number to an HSU port primary number or hunt group number, the system begins looking in the D channel routing tables (see Assignment of Call Routing Information later in this chapter). It will route the call to the first D channel it matches. If no D channel routing information matches, the call is rejected. As are used as "wildcards" that will allow any number in its place to match. **It is recommended that one carrier D channel be assigned the default routing code of "xxx-xxx-xxxx" so that there will always be a match.**

## 6.1.5 ISDN Trunks

An ISDN trunk is a logical division of B channels pertaining to the same D channel. A D channel can have one or more trunks. **Trunks cannot be used for local routing, so unless the user has more than one D channel, trunks will not apply to their system.** The basic rules for trunk assignment are:

- A single B channel cannot belong to multiple trunks simultaneously
- The maximum number of trunks that can be assigned to a single D channel is 15 (labeled trunk "A" through trunk "O")
- B channels in a trunk can be contiguous or noncontiguous
- A trunk cannot cross D channel borders, but can span different WAN links when NFAS is used by the carrier.

After ISDN trunks are configured, users can designate a routing table where incoming trunks can be routed to outgoing trunks. The routing table can be constructed to specify up to three outgoing trunk paths for each incoming trunk.



The basic rules for trunk routing are:

- Each incoming trunk can be routed to up to three outgoing trunks which are prioritized into search patterns 1, 2 or 3
- The D channel of the incoming trunk must be different from that of the outgoing trunk
- A trunk can be used as an outgoing trunk for more than one incoming trunks
- All trunks must be configured before assigning them to a routing table.

### 6.1.6 Local Routing

Devices such as video codecs or PBXs that are directly attached to the system (i.e., do not pass through a carrier network to connect to the system) are considered "local" devices. All HSU ports are local devices. In addition, any PRI device such as a PBX that is connected to a D channel configured for network side is a local device (as explained in the previous section, any D channel connected to a carrier network must be configured for user side).

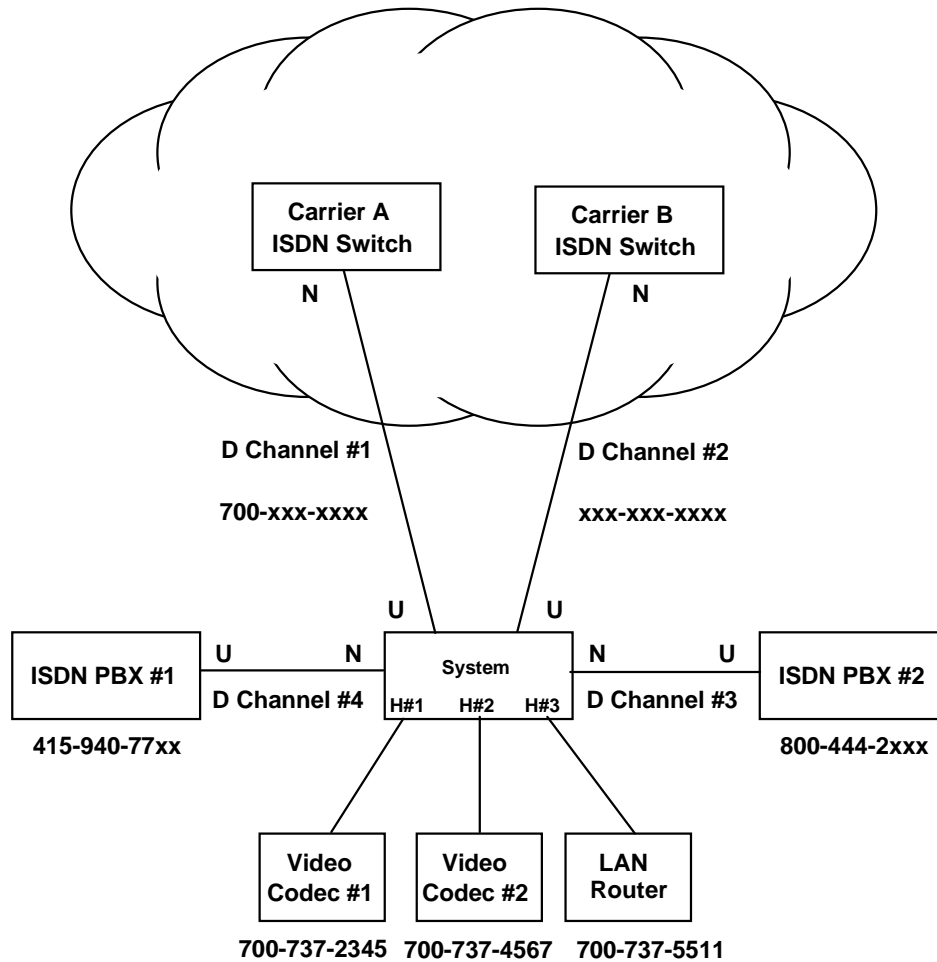
Local routing is defined as call routing between any two local devices. Because each HSU port can be mapped by its call profile to any specific D channel (local or non-local), users can prevent local routing of calls originating from any HSU port by insuring that the call profile refers to a user side (i.e., non-local) D channel.

However, calls coming into the system on a D channel (user or network) are routed based on the called phone number, not on call profiles. Because the system does not provide billing information, users may want to prohibit local routing of D channels. This prohibition will force all incoming D channel calls (user or network) to be routed to a carrier network so billing information can be obtained. In other cases, however, users may want to enable local routing.

Thus, if local routing is disabled, any call coming into the system on a network side (i.e., local) D channel will be routed only to a user side D channel based on the called number. Even if the called number matches, such a call will never be routed to an HSU port or a network side D channel when local routing is disabled.

If local routing is enabled, then any call coming in on a D channel will be routed to the first matching phone number, regardless of whether or not the match is for a local device.

Figure 6-6 shows a system connected to two carriers (A and B), two ISDN PBXs, two video codecs (#1 and #2) and a LAN router. The examples that follow help explain the call routing parameters.



**Figure 6-6. Call Routing**

In the example shown in Figure 6-6, the following call routings will occur:

- An incoming call to 700-737-2345 from either carrier will be routed to HSU port #1.
- Any outgoing call from any HSU port will be routed to the D channel specified in the call profile including D channels #3 and #4 to the PBXs.
- A call to 510-623-1574 from the PBX will be routed to carrier B.
- A call to 800-444-2400 from either carrier will be routed to PBX #2.
- A call from either PBX to 700-737-5511 will be routed to HSU #3 if local routing is enabled, but routed to Carrier A if local routing is disabled.
- A call from PBX #1 to 800-444-2095 will be routed to PBX #2 if local routing is enabled, but will be routed to Carrier B if local routing is disabled.

### 6.1.7 Call Profiles

A call profile is similar to a speed dial button on a telephone or fax machine. The user enters call profiles on the Interface Card and stores them in the system's memory. *The maximum number of call profiles is six.* These stored call profiles can be recalled from memory, copied to the HSU port memory, and used by that port to dial a call. The same call profile may be copied in the dialing memory of multiple HSU ports.

For ISDN calls, call profiles specify the D channel to use, the number to call, the data rate of the call, the service to use, and other pertinent information required to place the call.

Before any HSU port can dial a call, it must load a call profile from the main system memory into its own dialing memory. The HSU port can use the call profile "as is" or change the various parameters depending upon the calling needs. The loaded profile, including changes, will remain associated with the HSU port until another call profile is copied from the Interface card.

## 6.2 PRI-BRI Card Description

### 6.2.1 PRI-BRI Card Description (8811)

The PRI-BRI card is an eight-port card that offers users the ability to effectively terminate and manage both dedicated and switched carrier services in a single system. Eight D channels can be managed from a single card.

#### 6.2.1.1 Card Jumpers/Switch Settings

The PRI-BRI card does not have any jumpers or switches on its motherboard.

#### 6.2.1.2 Installing the Card

Insert the PRI-BRI card into one of the server card chassis slots (P1 to P3). The system can accommodate up to three server cards.

## 6.3 PRI-BRI Card User Screens and Settings

### 6.3.1 PRI-BRI Card Main Screen

The PRI-BRI card must be configured before you can use it. Figure 6-7 shown the PRI-BRI call status screen, which can be accessed by selecting the PRI-BRI card from the Main Screen. The information shown in italics below is for reference only. The default PRI-BRI call status screen does not show this type of information until after it is configured.

Node_1	P2/U2	PRI-BRI	Rev	B1-0	Ser	00354	12-31-99	14:33
ver: 1.5		page: 1 of 1						
<b>Cref</b>	<b>Status</b>	<b>Called #</b>	<b>Calling #</b>	<b>Type</b>	<b>Dch</b>	<b>Bwdth</b>		
<i>1</i>	<i>connected</i>	<i>4157316545</i>	<i>5106231574</i>	<i>bdata</i>	<i>1</i>	<i>56u</i>		
<i>32769</i>	<i>answered</i>	<i>5103537670</i>	<i>5105551212</i>	<i>bdata</i>	<i>2</i>	<i>56u</i>		
Refresh   pgUp   pgDn   Config   Perf   Main								

Figure 6-7. PRI-BRI Call Status Screen

#### 6.3.1.1 Main Screen Parameters

##### PAGE

The page reference shows how many pages of ISDN calls that are currently active in the system. Users can move through the pages using the “pgUp” and “pgDn” commands from the Menu of Actions.

**CREF**

The Call Reference number is a five digit number that uniquely identifies each call controlled by a specific D channel. A call reference number is valid only for the life of the call, and may be reused once the call is released. If the number is between 1-32768, it is an outgoing call from the system. If the number is 32769 or larger, the call is an incoming call to the system.

**STATUS**

The Status column shows the current status of each active call in the system. The possible call statuses are shown in Table 6-1 below.

*Special Note: The information on this screen is not updated automatically. To receive the latest status information, users must press "R" (refresh) from the Menu of Actions to update the screen.*

**Table 6-1. Call Status Screen**

<b>Call Status</b>	<b>Meaning</b>
incoming	A call has been received by the system, but has not yet been answered.
outgoing	A call has been placed by the system to a far end user, but the far end has not yet answered.
connected	An incoming call has been answered by the system, but the far end has not yet confirmed that it knows the system has answered.
answered	Both ends (system end and the far end) have answered and the call is active.
disconnect	The far end has requested a disconnect and is waiting for the system to confirm.
released	The system has requested a disconnect and is waiting for the far end to confirm.

**CALLED #**

The called number is the phone number dialed by the originator of the call (either the system or the far end).

**CALLING #**

The calling number is the phone number of the call originator.

**TYPE**

The type of the call is either **voice**, **bdata** (56k or 64k), **H0** (384k), **H11** (1536k) or **MRate** (variable rate).

**DCH**

The D Channel number is the number of the D channel that is performing the signaling for that call.

**BWDTH**

The Bandwidth field indicates how much bandwidth is being used by the call and whether it is restricted or unrestricted (i.e., 64u, 64r).

**Table 6-2. PRI-BRI Screen Menu of Actions**

Action	Function
Refresh	Updates the screen for calling activity since the last refresh.
pgUp	Scrolls list from back to front for long lists of ISDN calls.
pgDn	Scrolls list from front to back for long lists of ISDN calls.
Config	Invokes the D Channel configuration screen. Press to assign D channels and associated information.
Perf	Calls up the Performance Monitoring screen (see below for details).
Main	Returns to the Main System screen.

**6.3.2 D Channel Configuration Screen**

The D channel configuration screen consists of a static display on the top half of the screen, with a number of subscreens displayed on the bottom half of the screen. The bottom half subscreens are invoked by selecting from the menu items in the menu bar at the bottom of the D channel configuration screen.

The user **MUST** pay attention to which D channel (1-8) is highlighted when choosing **Intf.id**, **Bmap** or **sErVICES**. Each of these menu selections brings up the appropriate subscreen for the D channel that is highlighted when the menu item is selected.

Figure 6-8 shows the top level ISDN D channel configuration screen.

**Note that there is a separate column for each D channel supported by the system.** Table 6-3 lists the settings controlled on this screen along with their possible and default values.

Node_1	P2/U2	PRI-BRI		Rev	B1-0	Ser	00354	12-31-99	14:33
	1	2	3	4	5	6	7	8	
STATE	stdby	stdby	stdby	stdby	stdby	stdby	stdby	stdby	stdby
WAN	w1-1	w1-1	w1-1	w1-1	w1-1	w1-1	w1-1	w1-1	w1-1
TS	24	24	24	24	24	24	24	24	24
RATE	64k	64k	64k	64k	64k	64k	64k	64k	64k
SIDE	user	user	user	user	user	user	user	user	user
SW. TYPE	fjtsu	fjtsu	fjtsu	fjtsu	fjtsu	fjtsu	fjtsu	fjtsu	fjtsu
DATA INV	no	no	no	no	no	no	no	no	no

Save	Intf	Bmap	sErv	rOut	special	Trunk	rtYpe	Dial	dPcm	Main
------	------	------	------	------	---------	-------	-------	------	------	------

Figure 6-8. D Channel Configuration Screen

Table 6-3. Options and Defaults

Parameter	User Options	Default
STATE	stdby conf actv	stdby
WAN	w1-1 w1-2 w2-1 w2-2 w3-1 w3-2 w4-1 w4-2	w1-1
TS	1-24 1-31	24
RATE	56k 64k	64k
SIDE	user net	user
SW. TYPE	fjtsu att_4 dms_1 dms_2 att_5 ni_2 dpnss dass2 net_5 mcl	fjtsu
DATA INV	no yes	no

**STATE**

The State setting determines the status of each D channel. The available options are **stdby**, **conf** or **actv**.

As with most other cards in the system, the **stdby** (standby) setting keeps the resource to which it is associated (in this case, the associated D channel) in inactive mode. When a D channel is in **stdby**, it does not use any system resources such as B channels or processor time on the PRI-BRI server card.

When a D channel is in **actv** (active) state, all B channels are reserved, and the system attempts to maintain its D channel session with the other end (e.g. switch or PBX) of the D channel. If the D channel loses contact with the other end when it is in the active state, a D channel alarm will be generated.

Because there are times when users want to temporarily suspend the D channel session with the other end (e.g., when adding additional B channels to the system), but do not want to lose all the D channel settings already completed (see caution below), a third state has been added to the D channels on the PRI-BRI card. The **conf** (configure) state is used to initially configure the D channel and to change the configuration later.

When a D channel is in the configure state, it does not attempt to maintain a protocol session with the far end. Also, B channels assigned to a D channel that is in the configure state are reserved for the D channel, and thus are not available to other D channels nor to other system modules (e.g. user ports or cross-connect) that might want to use them as DS0s. The only ways to free up B channels taken by a D channel in configure state is to free each resource individually, or to put the D channel back into standby state.



### CAUTION!

**When a D channel that is either in actv (active) or conf (configure) state is returned to standby state, Interface ID and BMap settings are lost and returned to their default values. Thus, caution should be exercised before returning a D channel to standby state.**

#### WAN

The WAN setting shows the WAN link carrying this D channel. In standard applications (23B + D), the WAN link will be the same as the WAN link carrying the B channels. In NFAS applications, this may not be the case.

#### TS

The TS (timeslot) setting identifies the timeslot on the WAN link that carries this D channel. Even though the system allows values that range from **1-24** for T1 links and **1-31** for E1 links, in almost all cases, TS 24 will be used for T1 applications and TS 16 will be used for E1 applications (when available).



**RATE**

The Rate parameter allows users to choose the rate of the D channel. Even though the equipment allows values of **56k** and **64k**, in almost all cases, the rate of 64k will be used.

**SIDE**

The options for this parameter are **user** (user side) and **net** (network side). See discussion earlier in this chapter that describes which side to choose.

**SW. TYPE**

The Switch Type is selected from the possible central office equipment types to which the system is connected. The choices are **fjtsu** (Fujitsu), **att\_4** (AT&T #4ESS), **att\_5** (AT&T #5ESS®), **dms\_1** (DMS-100®), **dms\_2** (DMS-200®), **ni\_2** (National ISDN II), **dpnss** (Digital Private Network Signaling System), **dass2** (Digital Access Signaling System #2), **net\_5** (European ISDN), and **mcl**.

**DATA INV**

The Data Inversion option allows users to select whether or not the HDLC (High level Data Link Control) will invert the data bits when B8ZS format is not available. In almost all cases, DATA INV should be set to **no**.

Table 6-4. PRI-BRI Screen Menu of Actions

Action	Function
Save	Saves changes to settings.
Intf	Install and change the Interface Identifications for the highlighted D Channel.
Bmap	Install and change all ISDN B Channels for the highlighted D Channel. Shows a map of all timeslots in the system. See Assigning B Channels below.
sErv	Specifies which type of billing services can be used by the highlighted D Channel. Eight service types are available for each D Channel. Must have a two digit address code 00-99. 24 characters are allowed. See Assignment of Services below.
rOut	Specifies routing profiles for all ISDN D Channels. See Routing of Incoming Calls section below.
specialL	The Special Number table is a list of telephone numbers that will only be routed to the default D channel trunk. See Special Numbers section below.
Trunk	Displays the Trunk Routing screen. See the Trunk Routing section below.
rtYpe	The Routing type allows users to select the routing pattern for each D channel used by the system. See Routing Type section below
Dial	Activates a remote VT-100 terminal session with a remote system unit. User enters the phone number of the remote unit (see Remote Login Using the D Channel later in this chapter).
dPcm	This feature currently is not available for 5.0
Main	Returns to the Call Status screen. If changes are made to settings and not saved, the system will prompt you to save or lose changes.

## 6.4 Configuring ISDN Features

When one or more T1 WAN links terminating in a system are provisioned for PRI-BRI, users must configure the system's ISDN features before calls can be set up.

Configuring ISDN features consist of the following four steps:

1. Assigning interface identifications to WAN link(s)
2. Assigning B channels to the D channel(s)
3. Coding the call-by-call service(s) to be used
4. Assigning call routing information

Each of these steps is accessed from the top level D channel configuration screen by selecting the corresponding menu item to bring up the desired subscreen. Each subscreen is described in the following sections.

## 6.4.1 Assigning Interface Identifications

Each ISDN facility (interface) that terminates at the user's premises is assigned a unique **Intf. ID** (interface identification) by the carrier. Whenever the system signals the carrier switch on the D channel, it uses the **Intf. ID(s)** assigned by the carrier to tell the switch to which facility (interface) it is referring.



***Note:** In the unlikely (but possible) event that a single facility is split between two carriers (i.e., two D channels each controlling some of the B channels on that facility), it is possible that the same facility (interface) will have two different interface IDs—one for each carrier. Thus, the list of interface IDs is unique to a specific D channel only, but may be repeated across different D channels.*

Figure 6-9 shows the Interface Identification subscreen. This subscreen is accessed by placing the cursor in the column of the desired D channel, then pressing “i”. The list of all interfaces (WANs) then appear with their assigned interface IDs. The default value is 99, which means “interface ID not yet assigned.” Values for the Interface ID are **00-31** and **99**.

You must assign an interface ID to any WAN link that will contain B channels before you will be able to assign the specific B channels to that facility. If you assign a B channel to a WAN that is not assigned an Interface ID, the system message, “Intf.ID must be uniquely identified,” will appear when you try to activate the D channel. In the example shown in Figure 6-9, for D channel #1, the user plans to assign B channels on WAN 1-1, 1-2 and 2-1.

To change an interface ID, place the cursor over the desired Intf. ID, and press the “Enter” Key. Input the correct value in the space provided using the up and down arrow keys and press the “Enter” key again. Save your work, and press “m” to return to the main D channel configuration screen.

Node_1		P2/U2	PRI-BRI	Rev	B1-0	Ser	00354	12-31-99	14:33
		1	2	3	4	5	6	7	8
STATE		conf	stdby	stdby	stdby	stdby	stdby	stdby	stdby
WAN		w1-1	w1-1	w1-1	w1-1	w1-1	w1-1	w1-1	w1-1
TS		24	24	24	24	24	24	24	24
RATE		64k	64k	64k	64k	64k	64k	64k	64k
SIDE		user	user	user	user	user	user	user	user
SW. TYPE		att_4	att_4	att_4	att_4	att_4	att_4	att_4	att_4
DATA INV		no	no	no	no	no	no	no	no
Intf. ID	W1-1	00							
Intf. ID	W1-2	01							
Intf. ID	W2-1	02							
Intf. ID	W2-2	99							
Intf. ID	W3-1	99							
Intf. ID	W3-2	99							
Intf. ID	W4-1	99							
Intf. ID	W4-2	99							
Save	Main								

Figure 6-9. Interface Identification Screen

### 6.4.2 Assigning B Channels

Choosing the “Bmap” option from the D channel configuration screen of the ISDN card screen brings up the subscreen shown in Figure 6-10. This figure shows a typical “Bmap” screen. It is a detailed map of all the WAN timeslots available to users as potential B channels.

When D channel #1 is placed in the “Configure” mode, the system recognizes the assignment of WAN 1-1, timeslot #24 to this D channel and places it on the Bmap in the proper location. Notice that since all WAN links are T1 interfaces, the Bmap shows the last 7 places with a dash (-) indicating that the timeslot is unavailable for assignment.

Additionally, timeslots that are already in use by other resources (e.g. user ports and cross-connect) are “blocked-out” with the letter “x” in the appropriate WAN timeslot. This letter “x” means that these timeslots are used as DS0s, and thus are not available for use as B channels. In Figure 6-10, timeslots 14-19 on WAN 1-1 and timeslots 4-9 on WAN 1-2 are in use as DS0s and thus are unavailable for assignment.

Node_1	P2/U2	PRI-BRI	Rev	B1-0	Ser	00354	12-31-99	14:33
		1 2	3 4	5 6	7 8	9 0	1 2	3 4
STATE	<b>conf</b>	stdby	stdby	stdby	stdby	stdby	stdby	stdby
WAN	w1-1	w1-1	w1-1	w1-1	w1-1	w1-1	w1-1	w1-1
TS	24	24	24	24	24	24	24	24
RATE	64k	64k	64k	64k	64k	64k	64k	64k
SIDE	user	user	user	user	user	user	user	user
SW. TYPE	att_4	att_4	att_4	att_4	att_4	att_4	att_4	att_4
DATA INV	no	no	no	no	no	no	no	no
			1 1 1 1 1 1 1 1 1 1 2 2 2 2 2 2 2 2 3 3					
	1 2 3 4 5 6 7 8 9 0 1 2 3 4 5 6 7 8 9 0 1 2 3 4 5 6 7 8 9 0 1							
w1-1				x x x x x x			d - - - - -	
w1-2	x x x x x x						d - - - - -	
w2-1							- - - - -	
w2-2							- - - - -	
w3-1							- - - - -	
w3-2							- - - - -	
w4-1							- - - - -	
w4-2							- - - - -	
Save   sTatus   truNk   Main								

Figure 6-10. Basic Bmap Screen

### 6.4.3 Assigning B Channels to One D Channel

B channels are assigned to the highlighted D channel by placing the cursor in the row representing the WAN link (interface) and the column representing the timeslot. Pressing the “Enter” key will place a lowercase “b” in that timeslot (the "Enter" key toggles the "b" off and on). This indicates that you have designated this timeslot as a B channel to be controlled by the highlighted D channel. You will not be able to place a “b” in any timeslot that is currently occupied by a letter, number or dash, because these timeslots are controlled by other system modules, thus are unavailable to this D channel.

Figure 6-11 shows 36 B channels assigned to D channel #1. In this example, the carrier requested that you use timeslots 1-9 on WAN 1-1, timeslots 11-19 on WAN 1-2, timeslots 1-9 on WAN 2-1 and timeslots 1-9 on WAN 2-2.

Node_1	P2/U2	PRI-BRI		Rev B1-0	Ser 00354	12-31-99 14:33			
		1	2	3	4	5	6	7	8
STATE	<b>conf</b>	conf	stdby	stdby	stdby	stdby	stdby	stdby	stdby
WAN	w1-1	w1-2	w1-1	w1-1	w1-1	w1-1	w1-1	w1-1	w1-1
TS	24	24	24	24	24	24	24	24	24
RATE	64k	64k	64k	64k	64k	64k	64k	64k	64k
SIDE	user	user	user	user	user	user	user	user	user
SW. TYPE	att_4	att_4	att_4	att_4	att_4	att_4	att_4	att_4	att_4
DATA INV	no	no	no	no	no	no	no	no	no
				1 1 1 1 1 1 1 1 1 1 1 2 2 2 2 2 2 2 2 3 3					
	1 2 3 4 5 6 7 8 9 0	1 2 3 4 5 6 7 8 9 0	1 2 3 4 5 6 7 8 9 0	1 2 3 4 5 6 7 8 9 0	1 2 3 4 5 6 7 8 9 0	1 2 3 4 5 6 7 8 9 0	1 2 3 4 5 6 7 8 9 0	1 2 3 4 5 6 7 8 9 0	1 2 3 4 5 6 7 8 9 0
w1-1	b b b b b b b b b			x x x x x x			d - - - - -		
w1-2		x x x x x x		b b b b b b b b b			- - - - -		
w2-1	b b b b b b b b b						- - - - -		
w2-1	b b b b b b b b b						- - - - -		
w3-1							- - - - -		
w3-2							- - - - -		
w4-1							- - - - -		
w4-2							- - - - -		
Save	sTatus	trunNk	Main						

Figure 6-11. Assigned Bmap Screen

Figure 6-12 shows the cross-connect screen for WAN 1-1 (see WAN chapter). Note that the D channel shows up on timeslot #24, the B channels appear in the proper timeslots, and the DS0s (in this case assigned to the card in user slot 5, port 1) also appear.

Node_1		W1 CSU+CSU		Rev A6-2 Ser 00101		12-31-99 14:33	
TS	XCON	TS	CIRCUIT_ID	TS	XCON	TS	CIRCUIT_ID
1	b-chan		status-idle	13			
2	b-chan		status-idle	14	U5-1	D-06	user_circuit
3	b-chan		status-idle	15	U5-1	D-07	user_circuit
4	b-chan		status-idle	16	U5-1	D-08	user_circuit
5	b-chan		status-idle	17	U5-1	D-09	user_circuit
6	b-chan		status-idle	18	U5-1	D-10	user_circuit
7	b-chan		status-idle	19	U5-1	D-11	user_circuit
8	b-chan		status-idle	20			
9	b-chan		status-idle	21			
10				22			
11				23			
12				24	p1-1	A-01	dchan_circuit

Refresh | Test | Main

Figure 6-12. WAN Cross-Connect Screen

### 6.4.4 Assignments for Two or More D Channels

Previous paragraphs dealt with multiple B channels for a single D channel. Often, the system will be called upon to manage the ISDN communication for more than one D channel, as described earlier in this chapter.

In Figure 6-13, D channel #2 is changed from **stdby** to **conf** and is assigned to timeslot #24 on WAN 1-2.

Node_1	P2/U2	PRI-BRI	Rev B1-0	Ser 00354	12-31-99 14:33			
		1 2	3 4	5 6	7 8	9 0	1 2	3 4
STATE		conf	conf	stdby	stdby	stdby	stdby	stdby
WAN		w1-1	w1-2	w1-1	w1-1	w1-1	w1-1	w1-1
TS		24	24	24	24	24	24	24
RATE		64k	64k	64k	64k	64k	64k	64k
SIDE		user	user	user	user	user	user	user
SW. TYPE		att_4	att_4	att_4	att_4	att_4	att_4	att_4
DATA INV		no	no	no	no	no	no	no
				1 1 1 1 1 1 1 1 1 1 2 2 2 2 2 2 2 2 3 3				
		1 2 3 4 5 6 7 8 9 0	1 2 3 4 5 6 7 8 9 0	1 2 3 4 5 6 7 8 9 0	1 2 3 4 5 6 7 8 9 0	1 2 3 4 5 6 7 8 9 0	1 2 3 4 5 6 7 8 9 0	1 2 3 4 5 6 7 8 9 0
w1-1		1 1 1 1 1 1 1 1 1 1		x x x x x x			d - - - - -	
w1-2		x x x x x x	1 1 1 1 1 1 1 1 1 1				d - - - - -	
w2-1		1 1 1 1 1 1 1 1 1 1	b b b b b b b b b b				- - - - -	
w2-2		1 1 1 1 1 1 1 1 1 1	b b b b b b b b b b				- - - - -	
w3-1		b b b b b b b b b b	b b b b b b b b b b				- - - - -	
w3-2							- - - - -	
w4-1							- - - - -	
w4-2							- - - - -	
Save   sTatus   trunNk   Main								

Figure 6-13. Assigning B Channels

When the Bmap selection is made (with D channel 2 highlighted), D channel #2 appears on WAN 1-2, timeslot 24.

DSOs are still represented by “x”s. B channels which have already been assigned to D channel #1 (and are therefore unavailable to D channel #2) are represented by “1”s.

Using the same procedure learned in the previous section, assign a lowercase "b" to each timeslot assigned by the carrier by pressing the “Enter” key in the column and row on the screen. In this example, timeslots #11-22 on WAN 2-1, #11-22 on WAN 2-2 and #1-24 on WAN 3-1 are assigned as B channels for D channel #2.

Remember to save your work before pressing “m” to return to the top level D channel configuration screen.

If you check the BMap for D Channel #1 again, the screen in Figure 6-14 shows the B channels controlled by D channel #1 (the currently highlighted D channel) as “b”s, and the B channels for D Channel #2 as “2”s.



In general, any B channel controlled by the highlighted D channel is shown as a “b”, and any B channel controlled by any other (non-highlighted) D channel is shown as the number of the D channel that controls it.

Node_1	P2/U2 PRI-BRI								Rev B1-0	Ser 00354	12-31-99 14:33																										
	1	2	3	4	5	6	7	8																													
STATE	<b>conf</b>	conf	stdby	stdby	stdby	stdby	stdby	stdby																													
WAN	w1-1	w1-2	w1-1	w1-1	w1-1	w1-1	w1-1	w1-1																													
TS	24	24	24	24	24	24	24	24																													
RATE	64k	64k	64k	64k	64k	64k	64k	64k																													
SIDE	user	user	user	user	user	user	user	user																													
SW. TYPE	att_4	att_4	att_4	att_4	att_4	att_4	att_4	att_4																													
DATA INV	no	no	no	no	no	no	no	no																													
									1	1	1	1	1	1	1	1	1	1	2	2	2	2	2	2	2	2	2	2	2	3	3						
	1	2	3	4	5	6	7	8	9	0	1	2	3	4	5	6	7	8	9	0	1	2	3	4	5	6	7	8	9	0	1						
w1-1	b	b	b	b	b	b	b	b	b																												
w1-2																																					
w2-1	b	b	b	b	b	b	b	b	b																												
w2-2	b	b	b	b	b	b	b	b	b																												
w3-1	2	2	2	2	2	2	2	2	2																												
w3-2																																					
w4-1																																					
w4-2																																					

Figure 6-14. Completed BMap Screen

### 6.4.5 B Channel Status

Active B channels may need to be taken out of service periodically for testing or maintenance by the user or the carrier. Choosing the “sStatus” option from the "Bmap" screen not only allows the user to execute these options for individual B channels on an active D channel, but also to review changes made by the carrier. Highlight the specific B channel and press the command option in the Menu of Actions to perform the desired action. Lower case letters signify changes made by the user; capitalized letters show carrier changes.

In Figure 6-15, B Channels on time slots 6-7 on WAN 1-1 are placed in an Out of Service condition, and B channels on time slots 16-17 on WAN 1-2 are placed in maintenance mode by the user. B channels on time slots 8-9 on WAN 1-1 are in maintenance mode by the carrier,

and B channels on time slots 6-9 on WAN 2-2 are out of service by the carrier. Users and carriers can only reinstate B channels taken out of service or placed in maintenance mode by themselves.

Node_1	P2/U2	PRI-BRI	Rev B1-0	Ser 00354	12-31-99	14:33		
	1	2	3	4	5	6	7	8
STATE	actv	actv	stdby	stdby	stdby	stdby	stdby	stdby
WAN	w1-1	w1-2	w1-1	w1-1	w1-1	w1-1	w1-1	w1-1
TS	24	24	24	24	24	24	24	24
RATE	64k	64k	64k	64k	64k	64k	64k	64k
SIDE	user	user	user	user	user	user	user	user
SW. TYPE	att_4	att_4	att_4	att_4	att_4	att_4	att_4	att_4
DATA INV	no	no	no	no	no	no	no	no
			1 1 1 1 1 1 1 1 1 1 2 2 2 2 2 2 2 2 2 2 3 3					
w1-1	b b b b b o o M M			x x x x x x			d - - - - -	
w1-2		x x x x x x	b b b b b m m b b				d - - - - -	
w2-1	b b b b b b b b b		2 2 2 2 2 2 2 2 2 2 2 2 2 2 2 2				- - - - -	
w2-2	b b b b b o o o o		2 2 2 2 2 2 2 2 2 2 2 2 2 2 2 2				- - - - -	
w3-1	2 2						- - - - -	
w3-2							- - - - -	
w4-1							- - - - -	
w4-2							- - - - -	
Send	Refresh	Oos	mainTenance	Bchan	Main			

Figure 6-15. Status Screen

**Table 6-5. Status Screen Menu of Actions**

Action	Function
Send	Executes other Menu of Action commands. Changes in B channel states will not take effect until the Send command is issued. Send command also saves status changes.
Refresh	Updates status and time-related information fields that are not automatically updated (i.e., performance and test data).
Oos	Out of Service mode. Places the highlighted B channel in an unavailable state. Changes the "b" to an "o." Press the "B" command to return to service.
mainTenance	Testing or maintenance mode. Places the highlighted B channel in an unavailable state. Changes the "b" to an "m." Press the "B" command to return to service.
Bchan	Return to B channel operation. Returns the highlighted B channel in an available state. Changes the "m/o" to a "b."
Main	Returns to the Bmap screen. If changes are made to settings and not saved with Send command, the system will prompt you to save or lose changes.

### 6.4.6 Assigning ISDN Trunks

An ISDN trunk is a group of B channels belonging to a single D channel. It consists of one or more B channels either contiguous or non-contiguous. All B channels in a trunk must belong to the same D channel. However, a trunk may be assigned across different WAN links when NFAS is used.

To access the Trunk Assignment screen, you must highlight the D channel on the Configuration screen and press "B" to access the B channel screen. Pressing "N" from the Menu of Actions will bring up the Trunk Assignment screen. To assign a B channel to a trunk group, place the cursor over the desired B channel and press the letter of the trunk group to which you want to assign this B channel. **Capital** letters between "A" and "O" are the only acceptable options. Figure 6-16 shows a typical Bmap screen with four different D channels. To simplify this discussion, all four D channels have eight B channels.

Node_1	P2/U2	PRI-BRI	Rev B1-0				Ser 00354		12-31-99	14:33
			1	2	3	4	5	6	7	8
STATE	conf	conf	conf	conf	conf	stdby	stdby	stdby	stdby	stdby
WAN	w1-1	w1-2	w1-1	w1-1	w1-1	w1-1	w1-1	w1-1	w1-1	w1-1
TS	24	24	24	24	24	24	24	24	24	24
RATE	64k	64k	64k	64k	64k	64k	64k	64k	64k	64k
SIDE	user	user	user	user	user	user	user	user	user	user
SW. TYPE	fjtsu	fjtsu	fjtsu	fjtsu	fjtsu	fjtsu	fjtsu	fjtsu	fjtsu	fjtsu
DATA INV	no	no	no	no	no	no	no	no	no	no
					1 1 1 1 1 1 1 1 1 1 2 2 2 2 2 2 2 2 2 3 3					
	1 2 3 4 5 6 7 8 9	0 1 2 3 4 5 6 7 8 9	0 1 2 3 4 5 6 7 8 9	0 1 2 3 4 5 6 7 8 9	0 1 2 3 4 5 6 7 8 9	0 1 2 3 4 5 6 7 8 9	0 1 2 3 4 5 6 7 8 9	0 1 2 3 4 5 6 7 8 9	0 1 2 3 4 5 6 7 8 9	0 1 2 3 4 5 6 7 8 9
w1-1	A A b b b b b b							d - - - - -		
w1-2	b b b b B B b b							d - - - - -		
w2-1	b b b b b b C C							d - - - - -		
w2-2	D D b b b b b b							d - - - - -		
w3-1								- - - - -		
w3-2								- - - - -		
w4-1								- - - - -		
w4-2								- - - - -		

Figure 6-16. Assigned Trunk Screen

The first D channel on WAN1-1 has eight B channels. The first two B channels are assigned to Trunk Group “A.” The second D channel on WAN 1-2 also has eight B channels. B channels #5-6 are assigned to Trunk Group “B.” The third D channel on WAN2-1 has eight B channels. B channels #7-8 are assigned to Trunk Group “C.” The fourth D channel on WAN 2-2 also has eight B channels. B channels #1-2 are assigned to Trunk Group “D.”

Once assigned to Trunk Groups, ISDN trunks can be placed in a routing table to show how to route incoming ISDN calls that need to be passed on to downstream equipment.

### 6.4.7 Routing ISDN Trunks

To select a routing pattern for the ISDN trunks created in the previous section, users must access the Trunk Routing screen from the Configuration screen. Pressing “T” from the Menu of Actions will bring up the Trunk Routing screen. To add a new trunk routing pattern, users must press “A” from the Menu of Actions, which will bring up the screen shown as Figure 6-17.

```

Node_1 | P2/U2 PRI-BRI          Rev B1-0   Ser 00354 | 12-31-99 14:33
-----|-----|-----|-----|-----|-----|-----|-----|
page : 1 of 1
-----|-----|-----|-----|-----|-----|-----|-----|
INCOMING TRUNK   OUTGOING TRUNK1   OUTGOING TRUNK2   OUTGOING TRUNK3
-----|-----|-----|-----|-----|-----|-----|-----|
dchan:1 trunk:a  dchan:1 trunk:A  dchan:1 trunk:A  dchan:1 trunk:A
-----|-----|-----|-----|-----|-----|-----|-----|
Add | uPdate | dElete | pgUp | pgDn | Main
-----|-----|-----|-----|-----|-----|-----|-----|

```

**Figure 6-17. Add Trunk Route Screen**

The user should use the “right arrow” and “left arrow” keys to move the cursor through the eight sections (four D channels and four trunks) of the new trunk route. Press the <Enter> key to change each section. D channel numbers are changed with the “up arrow” and “down arrow” that scroll through numbers 1-8 (the maximum number of D channels per system). The user changes trunk letters by typing a **capital** letter from A-to O (the fifteen available trunk letters per D channel).

**All eight fields must be changed for each new trunk route.** For instance, if you want a single incoming trunk group to be routed to three outgoing trunk groups on three different D channels, the process is easy. In Figure 6-18 the first trunk route shows this configuration. D channel #1, trunk group “A” is to be routed to D channel #2, trunk group “B.” If that route is busy, it will be routed to D channel #3, trunk group “C.” If that route is busy, it will be routed to D channel #4, trunk group “D.” If that route is busy, the unit will drop the call.

Another example of this procedure is shown in Figure 6-18. If you want a single incoming trunk group to be routed to only one outgoing trunk group, D channel #1, trunk group “A” is routed to D channel #2, trunk group “B.” **The alternate routes 2-3 must contain the same information in alternate route #2.** Since this is the only alternative route, if that route is busy, the unit will drop the call.

```

Node_1 | P2/U2 PRI-BRI          Rev B1-0   Ser 00354 | 12-31-99 14:33
-----|-----
page : 1 of 1

INCOMING TRUNK   OUTGOING TRUNK1  OUTGOING TRUNK2  OUTGOING TRUNK3
dchan:1 trunk:A  dchan:2 trunk:B  dchan:3 trunk:C  dchan:4 trunk:D
dchan:1 trunk:A  dchan:2 trunk:B  dchan:2 trunk:B  dchan:1 trunk:B

Add | update | delete | pgUp | pgDn | Main

```

Figure 6-18. Add Trunk Route Screen

## 6.4.8 Assignment of Services

Some carriers support call-by-call service selection in their PRI-BRI offerings. This feature allows users to select a different service (and, usually, a different billing rate) for each call placed.

If call-by-call service is supported, users must tell the system which service(s) is/are supported by each D channel, and what the code is for each service. The carrier will supply a service code for each supported service. The Service format code is **always** two digits, a space and the name of the service. When placing a call using call profiles, only valid service codes will be allowed (see Call Profiles below for additional information about services).

If call-by-call service selection is not supported by the carrier or not required for the user's applications, then there is no need to assign service to a D channel.

Figure 6-19 shows the Services screen and the assignment of two mythical services (MASTERPIECE and BUSINESS PLAN) to D channel #1. The service codes of “01” and “02” were assigned by the carrier to these services. Remember to Save your work before returning to the top level D channel configuration screen.



*Note:* Pressing the Clear command will erase all Service entries for the highlighted D channel.

Node_1	P2/U2	PRI-BRI	Rev	B1-0	Ser	00354	12-31-99	14:33	
		1	2	3	4	5	6	7	8
STATE		conf	stdby	stdby	stdby	stdby	stdby	stdby	stdby
WAN		w1-1	w1-1	w1-1	w1-1	w1-1	w1-1	w1-1	w1-1
TS		24	24	24	24	24	24	24	24
RATE		64k	64k	64k	64k	64k	64k	64k	64k
SIDE		user	user	user	user	user	user	user	user
SW. TYPE		att_4	att_4	att_4	att_4	att_4	att_4	att_4	att_4
DATA INV		no	no	no	no	no	no	no	no
SERVICE 1:		01 Masterpiece							
SERVICE 2:		02 Business Plan							
SERVICE 3:									
SERVICE 4:									
SERVICE 5:									
SERVICE 6:									
SERVICE 7:									
SERVICE 8:									
Save	Clear	Main							

Figure 6-19. Assigning Services Screen

### 6.4.9 Routing of Incoming Calls

Call routing in the system is described in the introduction section of this chapter. Assignment of phone numbers for routing calls between D channels is done from the routing subscreen.

Figure 6-20 shows the ISDN routing subscreen. It is accessed from the D channel configuration screen by pressing “o” (lowercase letter o).

Node_1	P2/U2	PRI-BRI	Rev	B1-0	Ser	00354	12-31-99	14:33
	1	2	3	4	5	6	7	8
STATE	conf	stdby	stdby	stdby	stdby	stdby	stdby	stdby
WAN	w1-1	w1-1	w1-1	w1-1	w1-1	w1-1	w1-1	w1-1
TS	24	24	24	24	24	24	24	24
RATE	64k	64k	64k	64k	64k	64k	64k	64k
SIDE	user	user	user	user	user	user	user	user
SW. TYPE	att_4	att_4	att_4	att_4	att_4	att_4	att_4	att_4
DATA INV	no	no	no	no	no	no	no	no
Route local : yes								
D-Chan 1:		415940xxxx		415975xxxx				
D-Chan 2:		510xxxxxxxx		510353xxxx				
D-Chan 3:		xxxxxxxxxxx						
D-Chan 4:		xxxxxx4700		415221xxxx				
D-Chan 5:								
D-Chan 6:								
D-Chan 7:								
D-Chan 8:								
Save   Clear   Main								

Figure 6-20. Routing Numbers Screen

Each D channel may be assigned two ten-digit phone numbers to be used for routing calls addressed to those phone numbers. The use of the wild card letter “x” means any digit will match. Note that D channel routing occurs only after all attempts to route a call to an HSU port are unsuccessful.

If local routing is disabled (Route Local = **no**), any call coming into the system on a network side (i.e., local) D channel will be routed only to a user side D channel based on the called number. Even if the called number matches, such a call will never be routed to an HSU port or a network side D channel when local routing is disabled.

The routing table should always contain the default number "xxxxxxxxxx" (10 Xs) to make sure that all dialed numbers are routed to the network.

If local routing is enabled (Route Local = **yes**), then any call coming in on a D channel will be routed to the first matching phone number, regardless of whether or not the match is for a local device.

Any calls originating from an HSU port will be routed to the D channel specified in the call profile, regardless of the called number.



### 6.4.10 Special Numbers

Pressing L from the Menu of Actions will bring up the Special Numbers screen shown in Figure 6-21. Special numbers are any telephone numbers that the user does not want routed to HSU cards. Special numbers have the highest priority in the number searching process. Any number that matches one of the special numbers will always be routed to the default trunk "xxxxxxxxx," to the ISDN network and then into the Public Switched Network.

Some special numbers used in the United States include "0," "00," "911," "411" and "611." Some special numbers used in the foreign countries includes "0," "119" and "110." The special number table can contain telephone numbers up to 10 digits in length. It also includes the use of the "+" character, so that the special number "0+" would include any series of numbers that starts with the number "0." The character "x" is used as a wildcard in the same way as the routing table.

Node_1	P2/U2	PRI-BRI	Rev	B1-0	Ser	00354	12-31-99	14:33
	1	2	3	4	5	6	7	8
STATE	conf	stdby	stdby	stdby	stdby	stdby	stdby	stdby
WAN	w1-1	w1-1	w1-1	w1-1	w1-1	w1-1	w1-1	w1-1
TS	24	24	24	24	24	24	24	24
RATE	64k	64k	64k	64k	64k	64k	64k	64k
SIDE	user	user	user	user	user	user	user	user
SW. TYPE	att_4	att_4	att_4	att_4	att_4	att_4	att_4	att_4
DATA INV	no	no	no	no	no	no	no	no
SPECIAL 1:	[REDACTED]							
SPECIAL 2:								
SPECIAL 3:								
SPECIAL 4:								
SPECIAL 5:								
SPECIAL 6:								
SPECIAL 7:								
SPECIAL 8:								
Save   Clear   Main								

Figure 6-21. Special Numbers Screen

### 6.4.11 Performance Monitoring

Another special feature of the PRI-BRI card is the ability to track and log performance statistics on incoming and outgoing ISDN traffic for each D channel. The Performance Monitoring screen is accessed from the PRI-BRI main screen by highlighting the D channel with the cursor and pressing the "P" command from the Menu of Actions. Figure 6-22 shows the Performance Monitoring screen.

Node_1	P2/U2	PRI-BRI	Rev B1-0	Ser 00354	12-31-99	14:33			
OUTGOIN	CLATT	CLSUC	CLREJ	NDISC	EDISC	PDISC	NMPKT	ERPKT	
CUR	0	0	0	0	0	0	0	0	
01	----	----	----	----	----	----	----	----	
02	----	----	----	----	----	----	----	----	
03	----	----	----	----	----	----	----	----	
04	----	----	----	----	----	----	----	----	
05	----	----	----	----	----	----	----	----	
06	----	----	----	----	----	----	----	----	
07	----	----	----	----	----	----	----	----	
08	----	----	----	----	----	----	----	----	
09	----	----	----	----	----	----	----	----	
10	----	----	----	----	----	----	----	----	
11	----	----	----	----	----	----	----	----	
12	----	----	----	----	----	----	----	----	
TOTAL	0	0	0	0	0	0	0	0	
Refresh   Clear   pgUp   pgDn   Outgoing   Incoming   Main									

Figure 6-22. Performance Monitoring Screen

Calling statistics are kept for one hour periods for the current hour and the previous 24 one-hour periods. As each hour passes, the statistics for the twenty-fourth hour are dropped. Users can scroll through the current figures using the "U" (pgUp) and "D" (pgDn) commands from the Menu of Actions.

Since the system does not log statistics incrementally (i.e., second by second), the only way to have truly current figures is to use the "R" (Refresh) command from the Menu of Actions which redraws the screen with the new information.

**TIME PERIOD COLUMN**

The first column shows one-half of the current 24 hour one-hour periods and the total calculation of each field for the entire 24 hour period. The top of the column shows if the statistics are based on either outgoing or incoming calls and will toggle back-and-forth from commands in the Menu of Actions.

**CLATT**

The Calls Attempted column shows the total number of calls initiated on the selected D channel.

**CLSUC**

The Calls Successful column shows the total number of calls initiated on the selected D channel that were completed to the destination required.

**CLREJ**

The Calls Rejected column shows the total number of calls initiated on the selected D channel that were not completed to the destination required due to call-setup problems.

**NDISC**

The Normal Disconnect column shows the total number of calls completed on the selected D channel that were disconnected through hang-up by the calling number.

**EDISC**

The Error Disconnect column shows the total number of calls completed on the selected D channel that were disconnected through some unpredictable equipment error.

**PDISC**

The Peer Disconnect column shows the total number of calls completed on the selected D channel that were disconnected through hang-up by the called number.

**NMPKT**

The Number of Packets column shows the total number of good HDLC frames that were sent during the one hour period. This number, plus ERPKT, will equal the total number of packets sent.

### ERPKT

The Errored Packets column shows the total number of HDLC frames that were in error during the one hour period.

## 6.4.12 Remote Login Using the D Channel

In addition to carrying ISDN signaling information, the D channel can also be used to log into a remote system unit to check card status, and perform necessary system maintenance. This unique application does not require B channel allocation. The ISDN call is placed on the D channel to the ISDN network and routed to the D channel of the remote unit. Coordination with the ISDN facility provider is necessary to obtain the number for the remote system unit.

The ISDN card software must be version 1.2 or higher (the software version is printed on the ROM chip on the printed circuit board).

On the CPU card screen on the remote system unit, change the "D Chan Ph #" from blank to the ten digit ISDN phone number assigned to the unit. Figure 6-23 shows a completed CPU card screen for the Remote system.

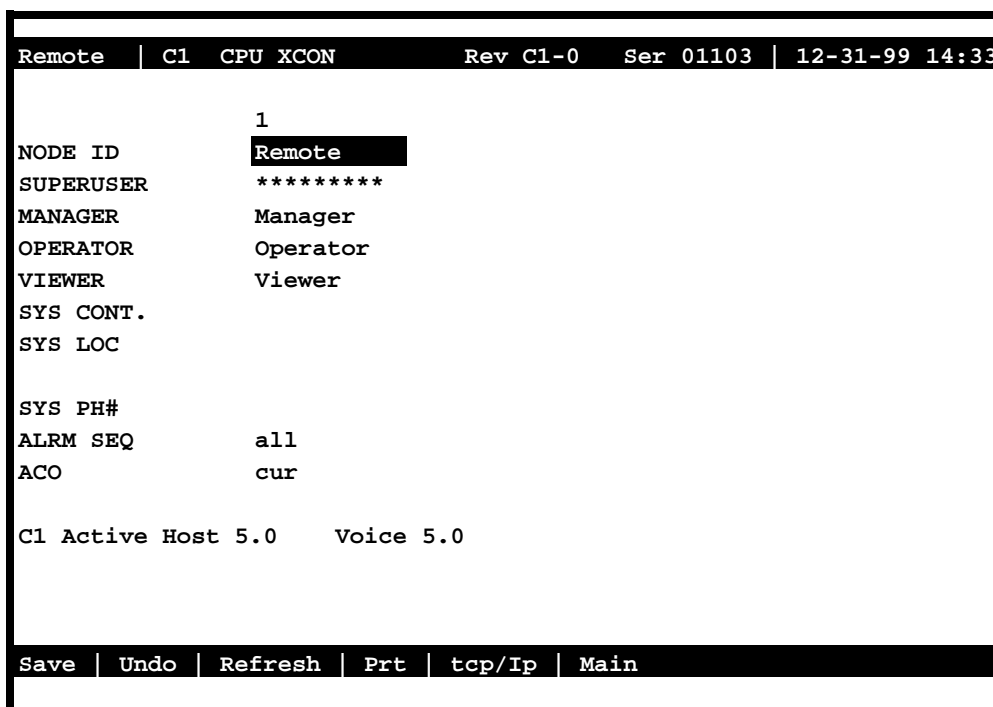


Figure 6-23. CPU Card Screen

### 6.4.13 Initiate Remote Login

From the ISDN Configure screen of the Local system, press the "D" (Dial) command from the Menu of Actions and the system will prompt you to enter the phone number. Enter the phone number assigned to the remote system on the CPU card and press the <Enter> key. The local system will start a terminal session with the remote system. Figure 6-24 shows the ISDN Card screen.

Local   P2/U2 PRI-BRI Rev B1-0 Ser 00354   12-31-99 14:33								
	1	2	3	4	5	6	7	8
STATE	actv	stdby	stdby	stdby	stdby	stdby	stdby	stdby
WAN	w1-1	w1-1	w1-1	w1-1	w1-1	w1-1	w1-1	w1-1
TS	24	24	24	24	24	24	24	24
RATE	64k	64k	64k	64k	64k	64k	64k	64k
SIDE	user	user	user	user	user	user	user	user
SW. TYPE	att_4	att_4	att_4	att_4	att_4	att_4	att_4	att_4
DATA INV	no	no	no	no	no	no	no	no
Enter phone #: <input type="text"/>								
Save   Intf. id   Bmap   sErVICES   rOut   special   Dial   Perf   Main								

Figure 6-24. ISDN Card Screen

### 6.4.14 Terminate the Session

Logging off the remote system using the "L" (Logout) command from the Menu of Actions on the Main screen will terminate the remote session and return the system to normal control.

## 6.5 PRI-BRI Card Error Messages

Refer to Appendix B in the System Reference Guide for further information on Error Messages regarding this card.

## 6.6 PRI-BRI Card Troubleshooting

PRI-BRI card problems could indicate a number of possible causes, including:

- Faulty ISDN PBX/CPE at the near end (where the problem was first noticed)
- Faulty ISDN PBX/CPE at the far (opposite) end
- T1 or E1 network failure
- T1 or E1 D-channel failure
- Improper network switch configuration
- Improper PRI-BRI card configuration

Typically, a problem is indicated by the inability to originate or receive/route calls. You can perform numerous tasks to isolate the trouble and clear it. When troubleshooting problems on a call routing through an PRI-BRI card, follow this general sequence:

1. If all calls are affected, verify that the US/EUR jumper is correctly placed to match the US/EUR jumper on the chassis. The PRI-BRI card performs a self-test on power-up. A “healthy” card will have a green LED lit on the front panel. Do not proceed with further steps until a green LED is present.
2. Verify that the T1 or E1 network is working properly by checking for current CGA-Red and CGA-Yellow alarms. If an PRI-BRI DS-1 is faulty, a D-channel alarm will also be present. If no CGA alarms on PRI-BRI DS-1s are present, but a D-channel alarm is present continue with step 3. If there is no D-channel alarm continue with step 4.
3. A D-channel alarm will be posted if the ISDN D-channel is not communicating properly with the ISDN switch/PBX connected to the WAN port. Verify the configuration settings for the affected ISDN port. Be sure the port is connected to the proper WAN card and port, that the correct **SIDE** (**net** or **user**) is selected and that the appropriate **SW. TYPE** has been chosen. If these assignments appear correct, it may be necessary to consult with the network or PBX provider to clear the D-channel alarm. Do not proceed with further steps until the D-channel alarm is cleared. In the alarm filter screen DCHAN alarm needs to be set as “log” or “report” to see ISDN D channel alarms (the default is “ignore”).



**Note:** When changing configuration settings on the PRI-BRI card, set **STATE** to **conf** (for “configure”), make changes and then set **STATE** to **actv**. Selecting **stdby** will cause the configuration information for that D-channel to return to the default parameters.

4. The Call Status Screen will indicate if any calls are currently connected through the PRI-BRI card. Review the Call Status Screen to determine if calls from any of the ISDN ports are currently active. Generate calls through the PRI-BRI card and review the performance register information (accessed by pressing **P** from the PRI-BRI Main Screen) for the affected D-channel(s). This will assist in determining the extent and possible cause of call failures (error disconnects, call attempt, call rejected, etc.). Many configuration parameters can affect an ISDN call. Verify that all configuration options (routing, B-channel assignment and status, etc.) are correct before proceeding.



**Note:** When changing configuration settings on the PRI-BRI card, set **STATE** to **conf** (for “configure”), make changes and then set **STATE** to **actv**. Selecting **stdby** will cause the configuration information for that D-channel to return to the default parameters.

5. If an HSU card is being used to originate or receive ISDN calls, additional circuit tests can be performed. Once an end-to-end call is established, use the loopback and test signal functions of the HSU card to test the affected port. These tests are accessible from the HSU Card Main Screen and associated Test Screen, as described in the HSU chapter. They allow you to test the end-to-end circuit path for that call.
6. If the PRI-BRI card is determined to be faulty, replace it and return the faulty unit for repair to the location specified by your distributor.





# Chapter 7

## IMUX Card

### 7.1 Introduction

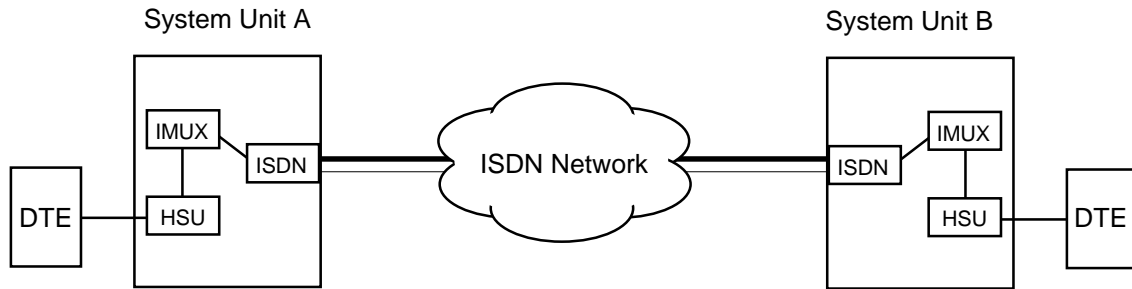
The ISDN card supports B channel bandwidth of 56K, 64K, 384K, 1536K and MultiRate (MRate). Normally, the MRate option will allow users to select any combination of 64K B channels needed for the call request, but in areas where rates greater than 64Kbps are not supported by the local ISDN switch, B channels must be aggregated to support calls at MultiRate speeds.

The solution to this problem is the Inverse Multiplexer card that works with the ISDN card to provide the exact B channel bandwidth needed in 56Kbps, 64Kbps and H0 (384Kbps) increments. Since the IMUX card does not support NFAS (see ISDN chapter for further information), the maximum 56Kbps or 64Kbps B channel allocation is 23 for T1 systems and 30 for E1 systems. The maximum B channel allocation for H0 (384Kbps) is 3 for both T1 and E1 systems.

Figure 7-1 shows a typical IMUX application. The DTE located at System Unit "A" needs a 128Kbps circuit to connect to the DTE at System Unit "B." The user selects one of the IMUX engines (ports) to dial two B channels (64Kbps each) that multiplex the data to the IMUX card located at System Unit "B."

The system will dial the IMUX Primary or Hunt Number and establish the connection with the IMUX Card at the other end of the circuit (dark line on diagram). Once completed, it will call the IMUX Additional Number to set up the rest of the bandwidth needed, organize the data "pipe" and complete the call (lighter line on diagram).

It is strongly suggested that the user obtain an Additional Number from the ISDN carrier because other incoming calls to the Primary Number or Hunt Number could accidentally be included in the IMUX call that you are trying to establish. Since all B channel bonding happens on the Additional Number, if it is available, this call collision could be averted.



**Figure 7-1. Typical IMUX Application**



**Note:** *If you have an Enhanced Bus-Connect system (25888 IMUX) and have WAN cards in slots W-3 and W-4, the Inverse Multiplexer card will not work. This warning does not apply to redundant or non-redundant WANs in slots W-1 and W-2.*

## 7.2 Inverse Multiplexer (IMUX) Card Settings

### 7.2.1 IMUX Card Description (8880)

Similar to the ISDN card main screen, the parameters on the main screen of the IMUX card are for information only, they cannot be changed. Figure 7-2 shows the IMUX card main screen. Table 7-1 shows the settings and values.

### 7.2.2 IMUX Card Main Screen

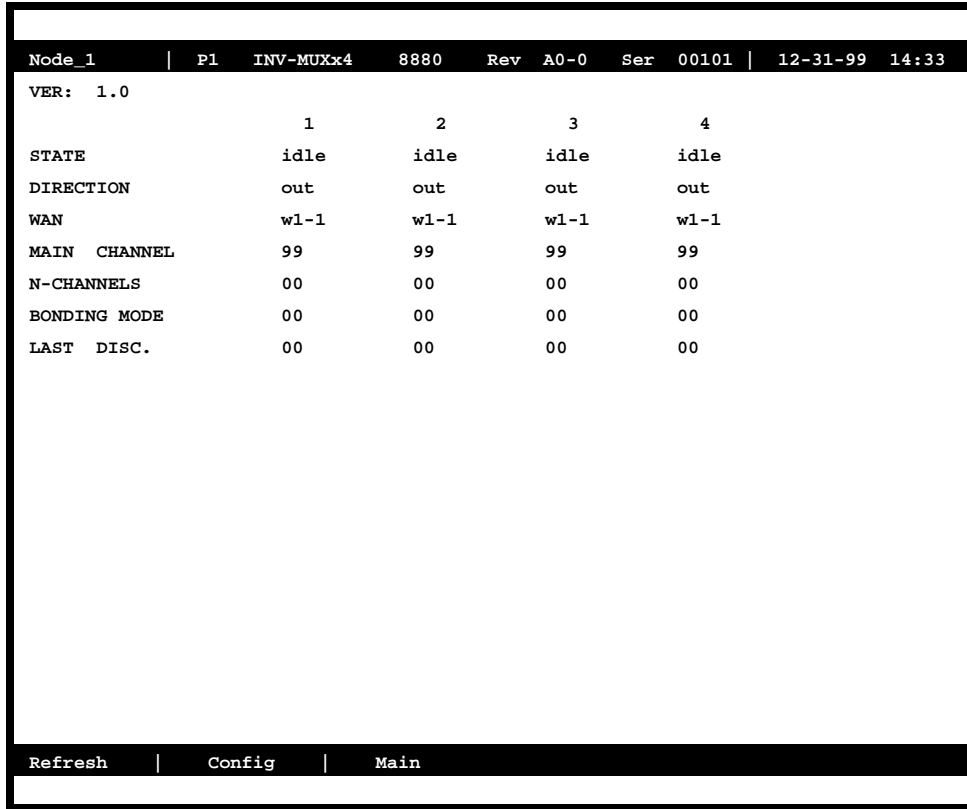


Figure 7-2. The IMUX Card Main Screen

Table 7-1. IMUX Card Main Screen Options and Defaults

Parameter	User Options							
STATE	idle	busy						
DIRECTION	out	in						
WAN	w1-1	w1-2	w2-1	w2-2	w3-1	w3-2	w4-1	w4-2
MAIN CHANNEL	01-23	01-30	99					
N-CHANNELS	01-23	01-30	00					
BONDING MODE	00-01							
LAST DISC.	01-12	00						

#### STATE

The State parameter shows the activity on this IMUX engine (port). The values are **idle** or **busy**.

## DIRECTION

The Direction parameter shows the direction of a **busy** circuit. The values are **out** (a call originated from this location to another) or **in** (a call originated from another location).

## WAN

The WAN parameter shows the WAN link used by the busy circuit. The values for this setting are **w1-1** through **w4-2**.

## MAIN CHANNEL

The Main Channel parameter shows the timeslot on the WAN link shown on the previous setting that is used for the call to the IMUX primary number or hunt number for this call. Values for this setting are **1-24** for T1 systems or **1-31** for E1 systems. The value **99** is used for unassigned engines.

## N-CHANNELS

The N-Channels parameter shows the number of additional timeslots needed to complete the IMUX call. The values for this setting are **1-23** for T1 systems and **1-30** for E1 systems. The value **00** is used for unassigned engines.

## BONDING MODE

The Bonding Mode parameter shows the bonding mode used for this call. The values for this setting are **00** (mode0) and **01** (mode1). The bonding mode is selected from the HSU card IMUX screen.

## LAST DISC.

The Last Disconnect parameter shows the cause codes for the last disconnect on that port. The values are **01** (no resources available), **02** (channel error), **03** (normal clearing), **04** (bandwidth addition request), **05** (mode not supported), **06** (rate not supported), **07** (information channel or frame alignment word framing lost), **08** (delay equalization unsuccessful), **09** (unknown command or protocol error), **10** (temporary failure, in recovery), **11** (failure, no recovery) and **12** (bandwidth deletion request). The value **00** is used for unassigned engines.

**Table 7-2. The IMUX Card Configure Screen of Actions**

Action	Function
Refresh	Since IMUX call information is not updated in real time, this command will refresh the screen with new information.
Config	Brings up the Configure screen. See below.
Main	Returns to the main screen.

### 7.2.3 Configuration Screen

The Configuration screen is accessed by pressing the “C” key from the Main Screen Menu of Actions. This screen controls the availability of the IMUX engines to send or receive calls through the ISDN system. Figure 7-3 shows the IMUX Configuration screen and Table 7-3 shows the settings and options.

Node_1   P1 INV-MUXx4 8880 Rev A0-0 Ser 00101   12-31-99 14:33									
		1	2	3	4				
STATE		stdby	stdby	stdby	stdby				
LB MODE		n/a	n/a	n/a	n/a				
Save   Undo   Refresh   Main									

**Figure 7-3. The IMUX Card Configure Screen**

**Table 7-3. IMUX Card Configure Screen Options and Defaults**

Parameter	User Options	Notes
STATE	stdby atcv	
LB STATE	n/a	

**STATE**

The State setting determines whether the engine is active or inactive. When assigning IMUX engines, set the State setting to standby (**stdby**) for ports you are not using. Set it to active (**actv**) for ports that are ready for use. Since there is no penalty for having active engines (they do not use system resources), it is suggested that all IMUX ports be set to active.

**LB STATE**

The Loopback State is not an available option at this time.

**Table 7-4. The IMUX Card Configure Screen of Actions**

Action	Function
Save	Saves changes to settings.
Undo	Returns all settings to the last saved state.
Refresh	Updates certain time-related information fields that are not automatically updated (i.e. performance and test data).
Main	Returns to the main screen. If changes are made to settings and not saved, you will be prompted to save or lose changes.

**7.2.4 IMUX Call Setup**

The IMUX card changes the availability to send or receive calls and shows information related to IMUX calls only. The actual call setup procedures are done through the HSU card. Figure 7-4 shows the HSU call profile screen and Table 7-5 shows the settings for the various parameters.

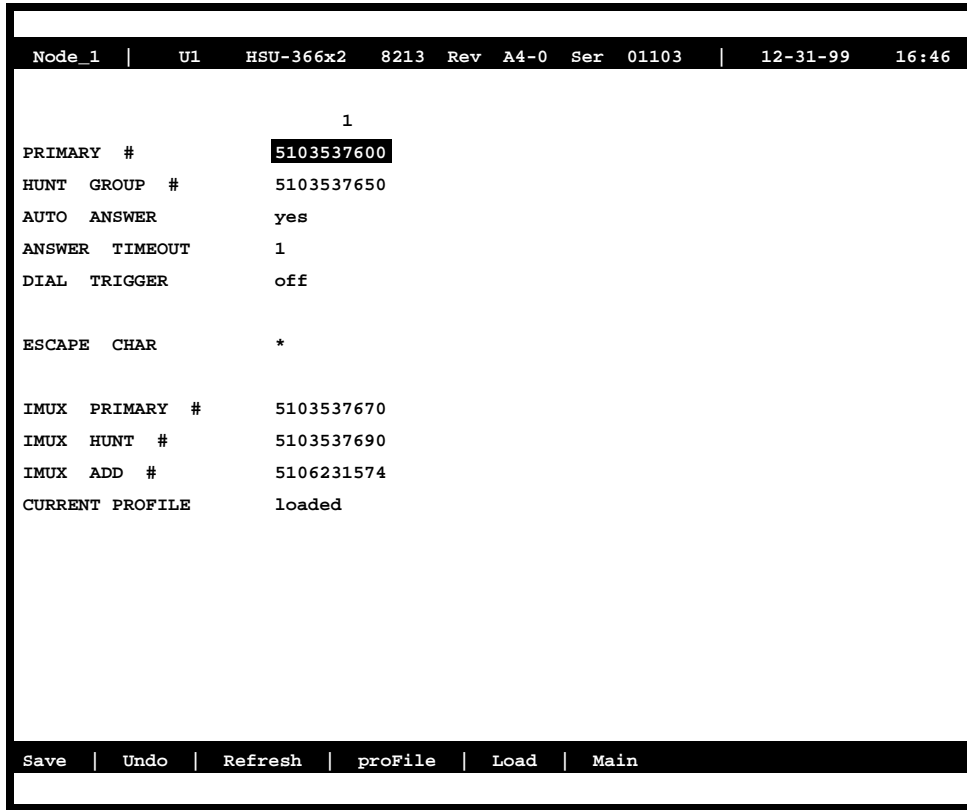


Figure 7-4. The HSU Card Dial Screen

Table 7-5. The HSU Card Dial Screen Settings and Options

Parameter	User Options	Default
PRIMARY #	up to 10 numeric characters	0000000000
HUNT GROUP #	up to 10 numeric characters	0000000000
AUTO ANSWER	yes no	yes
ANSWER TIMEOUT	01-60	01
DIAL TRIGGER	off dtr rs366 v.25b	off
ESCAPE CHAR	* # 5 6 7 9 0 00	*
IMUX PRIMARY #	up to 10 numeric characters	0000000000
IMUX HUNT #	up to 10 numeric characters	0000000000
IMUX ADD #	up to 10 numeric characters	0000000000
CURRENT PROFILE	none loaded	none

### PRIMARY #

The Primary Number is the main phone number used to route incoming (non-IMUX) calls for this HSU port. This number must be unique throughout all HSU ports in the system. The number must be within the range of numbers assigned by the carrier controlling the ISDN switch.

### HUNT GROUP #

The Hunt Group number is an optional number that makes the port of this HSU part of a hunt group. The hunt group number is the same for all HSU ports in the hunt group. The system will route any incoming (non IMUX) call placed to the hunt group number to the first available HSU port in the group. A hunt group number must be within the range of numbers assigned by the carrier controlling the ISDN switch.

### AUTO ANSWER

The Auto Answer feature allows the HSU port to automatically answer an incoming call for either the primary number or the hunt group number. A value of **yes** means the equipment will always accept the incoming call for a port that is not busy. A value of **no** means the HSU will not answer the call until the attached DTE responds with DTR high. RS530 ports will respond to auto answer with the Ring Indicator lead, V.35 ports must be set to auto answer for this version of the software.

### ANSWER TIMEOUT

If the user chooses **no** for Auto Answer (above), the Answer Timeout parameter tells the system how long to wait for the DTE to raise DTR after the call has been sent to the DTE. This parameter is measured in seconds, and the valid choices are **1-60**.

### DIAL TRIGGER

The Dial Trigger tells the 8213 HSU card when to initiate dialing. (See Dialing with High Speed Data Cards in the HSU Card chapter.) *In order for dialing to be initiated, there must be a call profile active for this HSU port.* The values are **n/a** (all other HSU cards), **off** (do not dial any calls), **dtr** (dial the active call profile when the DTE raises DTR), **rs366** (trigger dialing on this port when RS366 commands are received on the associated RS366 port) and **v.25b** (trigger dialing on this port when V.25bis commands are received on the associated V.25bis port).



## ESCAPE CHARACTER

The Escape Character is the character used by RS366 dialing as a special character to initiate the dialing command (see next section). The options are: \*, #, **5, 6, 7, 9, 0, 00**.

## IMUX PRIMARY #

The IMUX Primary Number is the main phone number used to route incoming IMUX calls for this HSU port. This number must be unique throughout all HSU ports in the system. The number must be within the range of numbers assigned by the carrier controlling the ISDN switch.

## IMUX HUNT #

The IMUX Hunt number is an optional number that makes the port of this HSU part of a hunt group. The hunt group number is the same for all HSU ports in the hunt group. The system will route any incoming IMUX call placed to the hunt group number to the first available HSU port in the group, provided there is an available IMUX engine. A hunt group number must be within the range of numbers assigned by the carrier controlling the ISDN switch.

## IMUX ADD #

The IMUX Additional Number is the second number used to synchronize IMUX bandwidth. An IMUX call is placed to the primary number which begins to synchronize the call. Part of that synchronizing process is to report the additional number to the calling IMUX card. The calling IMUX card then dials the IMUX additional number to set up the rest of the bandwidth needed before completing the call. If there is no additional number, the IMUX card will synchronize the call on the primary number only.

*It is recommended that an IMUX additional number be obtained from the ISDN carrier to avoid call collision that could occur if the IMUX additional number is not present.*

## CURRENT PROFILE

The Current Profile indicates if a call profile is loaded into this HSU port's dialing memory. The options for this parameter are **none** (indicating that the copy of a call profile template has not been downloaded to this port) or **loaded** (indicating that the copy of a call profile template has been downloaded to this port).

Table 7-6. HSU Dial Screen of Actions

Action	Function
Save	Saves changes to settings.
Undo	Returns all settings to the last saved state.
Refresh	Updates certain time-related information fields that are not automatically updated (i.e. performance and test data).
proFile	Brings up the call profile screen.
Load	This option loads a profile from the Interface card template. A call profile number must be inserted. Changes the Current Profile parameter from "none" to "loaded."
Main	Returns to the HSU card main screen. If changes are made to settings and not saved, you will be prompted to save or lose changes.

### 7.2.5 HSU Call Profile Screen

Once a call profile is copied from the Interface card templates, it can be used by the DTE on HSU ports for placing calls to other devices throughout the ISDN network. The HSU Call Profile screen is shown as Figure 7-5. Table 7-7 lists the settings and defaults for each parameter.

Once the appropriate information is inserted or changed on the fields of this screen, you can place a call by pressing the "D" (Dial) command from the Menu of Actions. When finished, the call can be disconnected by pressing the "H" (Hang-up) command from the Menu of Actions.

**It is important to note that the HSU port used to dial the call must be in the standby state when the call is placed.** The state changes from standby to active after the call has been placed. The system will not allow a call to be placed from an active port.



**Note:** Any changes made to the loaded call profile will stay with the call profile copy until changed in a future session. Changes made to this copy will not change the call profile template on the Interface card.

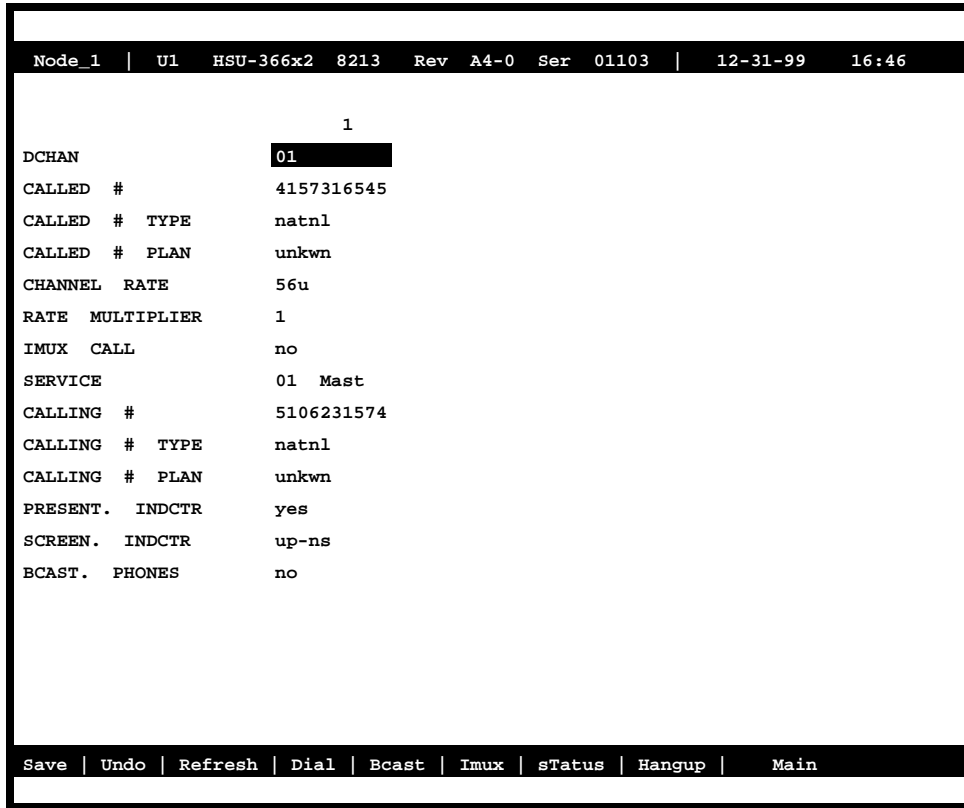


Figure 7-5.HSU Card Call Profile Screen

Table 7-7. Settings for HSU Card Call Profile Parameters

Parameter	User Options	Default
DCHAN	01-08	01
CALLED #	telephone number (25 numeric characters)	blank
CALLED # TYPE	natnl intl sbscr	natnl
CALLED # PLAN	unkwn isdn phone print	unkwn
CHANNEL RATE	56u 56r 64u 64r 384u 384r 1536u 1536r MRate	56u
RATE MULTIPLIER	1, 6, 24 2-24 (applies only to MRate)	1
IMUX CALL	no yes	no
SERVICE	service from list set on ISDN card for this D channel (first 7 characters)	blank
CALLING #	telephone number (25 numeric characters)	blank
CALLING # TYPE	natnl intl sbscr	natnl
CALLING # PLAN	unkwn isdn phone print	unkwn
PRESENT.INDCTR	yes no	yes
SCREEN. INDICTR	up-ns	up-ns
BCAST. PHONES	no yes	no

## DCHAN

The D Channel number identifies which D Channel to route all outgoing calls that use this call profile. The options are numbers **1-8**.

## CALLED #

The Called Number is the full telephone number of the device you are calling. Up to 25 numeric characters are allowed, although most calls use only ten digits. This parameter can be overridden on a call-by-call basis when RS366 or V.25bis dialing is used with the Model 8213 HSU card.

## CALLED # TYPE

The Called Number Type identifies the type of network used to reach the called phone number. The options are **natnl** for domestic calls, **intl** for international calls, and **sbscr** for Virtual Private Network (VPN) calls. Your carrier will provide more detail about this option.

## CALLED # PLAN

The Called Number Plan refers to the type of numbering plan used to reach device you are calling. The options are **unkwn**, **isdn**, **phone** and **privt**. Your carrier will provide more detail about this option.

## CHANNEL RATE

The Channel Rate selection specifies the bandwidth to be used by the call. Different carriers support different rates, so it is important to check with your carrier before setting rates greater than 64 Kbps. When using any Channel Rate other than **Mrate**, the system knows the size of the bandwidth required and will automatically select the rate multiplier. If **Mrate** is selected, the rate multiplier must be entered by the user.

The “**u**” and “**r**” in these selections are for unrestricted and restricted data calls. An unrestricted call means the user can send any type of data information in the circuit. A restricted call means the user is responsible for maintaining the ones-density-integrity of the T1 data stream.



*Note:* Channel Rates of 1536r and 1536u require the use of NFAS.

If the IMUX CALL field is set to **yes** (see below), the channel rate shows either **56**, **64** or **H0** (384K).

### RATE MULTIPLIER

The Rate Multiplier parameter is automatically set depending upon the Channel Rate (other than **Mrate** or an IMUX call) chosen in the previous paragraph. Valid entries for Mrate are **2** through **24**. If an incorrect rate multiplier is input, the carrier equipment will reject the call.

If the IMUX CALL field is set to **yes** (see below), valid entries for the rate multiplier are **1-24** for **56** or **64** and **2-3** for **H0** (384K).

### IMUX CALL

The IMUX Call field indicates whether this is an IMUX call or a regular ISDN call. The options are **no** and **yes**. If yes is selected, the Channel Rate and Rate Multiplier selections will change, (see above).

Since IMUX calls cannot be broadcast, if IMUX call is **yes**, the user will not be able to use the Broadcast Phones option mentioned below.

### SERVICE

The Service parameter is entered only if call-by-call service selection is supported on the D channel selected in the DCHAN parameter above. If call-by-call service selection is provisioned on the selected D channel, the first Service type is entered in this field automatically. Valid service codes are those that were entered for this D channel in the Services subscreen of the D channel configuration screen.

To change this selection, highlight the selection with the cursor and press the <Enter> key. A list of all service options for this D channel will appear at the bottom of the screen. Move the cursor to the appropriate selection using the right and left arrow keys and press the “Enter” key again when the correct choice is highlighted.

### CALLING#

The Calling Number is the phone number of the calling party that is presented to the called party when the incoming call is delivered. (This feature is often known as Automatic Number Identification or “ANI”).

If the user wants the system’s main (billing) number to be presented to the called party, this field must contain a number of up to 25 digits. If the user wants the specific phone number of the HSU port making the call to be presented, this field must be left blank.

**CALLING# TYPE**

The Calling Number Type identifies the type of network used by the calling party. The options are **natnl** for domestic calls, **intl** for international calls, and **sbscr** for Virtual Private Network (VPN) calls. Your carrier will provide more detail about this option.

**CALLING# PLAN**

The Calling Number Plan refers to the type of numbering plan used by the calling party. The options are **unkwn**, **isdn**, **phone** and **privt**. Your carrier will provide more detail about this option.

**PRESENT.INDCTR**

The Present Indicator field determines whether or not the calling number may be displayed to the called party. The selections are **yes** and **no**.

**SCREEN. INDCTR**

The Screen Indicator field is reserved for future use. The field value **up-ns** cannot be changed.

**BCAST. PHONES**

The Broadcast Phones parameter allows the user to select the use of the broadcast option. The selections for this parameter are **no** and **yes**. If IMUX call is **yes**, the broadcast option will be automatically set to **no**.

**Table 7-8. Call Profile Screen Menu of Actions**

<b>Action</b>	<b>Function</b>
Save	Saves changes to settings.
Undo	Returns all settings to the last saved state.
Refresh	Updates certain time-related information fields that are not automatically updated (i.e. performance and test data).
Dial	Causes the HSU port to dial the number on the original call profile or the changed call profile.
Bcast	Provides access to the Broadcast screen. See the Broadcast section in the HSU card chapter.
Imux	Provides access to the IMUX screen. See the IMUX section below.
sTatus	This command shows the status of both ISDN calls and IMUX calls. Press the key once for ISDN call status, press it a second time for IMUX call status.
Hangup	Causes the HSU port to terminate the current call.
Main	Returns to the HSU card main screen. If changes are made to settings and not saved, you will be prompted to save or lose changes.

## 7.2.6 Inverse Multiplexer - IMUX

Pressing "I" from the Menu of Actions brings up the IMUX screen and allows the user to set the synchronization mode and timer settings used for placing IMUX calls (from Bellcore TR-41). The purpose of these settings is to adjust the parameters of the IMUX card to match those of the carrier providing ISDN service. **If IMUX calls are prematurely terminated, changing these settings might help to correct the problems.** The "I" menu selection works only when the IMUX Call Type parameter in the Call Profile is set to "yes."

Figure 7-6 shows the IMUX screen and Table 7-9 lists the available options with the settings and defaults for this screen.

Node_1   P1 INV-MUXx4 8880 Rev A0-0 Ser 00101   12-31-99 14:33			
			1
BONDING	MODE		mode1
TXDELAY	TIMER		50
TXINIT	TIMER		5000
TXADD01	TIMER		60000
TXDISC	TIMER		1000
TCID	TIMER		1000
TANULL	TIMER		5000
TXDEQ	TIMER		20000
TXFA	TIMER		20000
Save   Undo   Refresh   Main			

Figure 7-6. IMUX Call Screen

Table 7-9. IMUX Call Screen Settings Options and Defaults

Parameter	User Options	Default
BONDING MODE	mode0 mode1	mode1
TXDELAY TIMER	50 100 250 500	50
TXINIT TIMER	5000 2500 7500 10000	5000
TXDISC TIMER	1000 500 1500 2000	1000
TCID TIMER	1000 2000 3000 4000	1000
TANULL TIMER	5000 2500 7500 10000	5000
TXDEQ TIMER	20000 10000 30000 50000	20000
TXFA TIMER	20000 10000 30000 40000	20000

### BONDING MODE

The Bonding Mode setting defines which end of the IMUX call will perform the synchronizing tasks needed to complete the call. The options are **mode0** (the end user equipment will synchronize bandwidth) and **mode1** (the terminating IMUX card will synchronize bandwidth).

*Almost all IMUX applications will use mode1 synchronization.*

### TXDELAY TIMER

The Timer (bothway) Delay setting defines the duration of time for the final delay equalization acknowledgment before allowing the call to commence. The values (in milliseconds) are **50**, **100**, **250** and **500**. This timer is used for mode1 calls.

### TXINIT TIMER

The Timer (bothway) Initial Channel setting defines the duration of time necessary for negotiation for the initial 56Kbps, 64Kbps or H0 (384Kbps) channel. The values (in milliseconds) are **5000**, **2500**, **7500** and **10000**. This timer is used for mode0 and mode1 calls.

### TXADD01 TIMER

The Timer (bothway) Additional Channel setting defines the duration of time necessary for additional 56Kbps, 64Kbps or H0 (384Kbps) channels to be connected. This value is often called the "call-processing time." The values (in milliseconds) are **60000**, **40000**, **80000** and **120000**. This timer is used for mode0 and mode1 calls.



**TXDISC TIMER**

The Timer (bothway) Disconnect setting defines the duration of time necessary for sending the disconnect indication prior to disconnecting the call. The values (in milliseconds) are **1000, 2000, 3000** and **4000**. This timer is used for mode1 calls.

**TCID TIMER**

The Timer Channel Identifier setting defines the duration of time spent by the network looking for secondary B channel allocation information before disconnecting the call. The values (in milliseconds) are **1000, 2000, 3000** and **4000**. This timer is used for mode2 and mode3 calls (when available).

**TANULL TIMER**

The Timer (answer) Null State setting defines the duration of time spent by the called user looking for bonding information before disconnecting the call. The values (in milliseconds) are **5000, 2500, 7500** and **10000**. This timer is used for mode0 and mode1 calls.

**TXDEQ TIMER**

The Timer (bothway) Delay Equalization setting defines the duration of time given the called user to complete equalization of the call. The values (in milliseconds) are **20000, 10000, 30000** and **50000**. This timer is used for mode1 calls.

**TXFA TIMER**

The Timer (bothway) Frame Alignment setting defines the duration of time (per channel) for the called user needs to find frame alignment. The values (in milliseconds) are **20000, 10000, 30000** and **40000**. This timer is used for mode1 calls.

**Table 7-10. The IMUX Call Screen Actions**

<b>Action</b>	<b>Function</b>
Save	Saves changes to settings.
Undo	Returns all settings to the last saved state.
Refresh	Updates certain time-related information fields that are not automatically updated (i.e. performance and test data).
Main	Returns to the HSU call profile screen. If changes are made to settings and not saved, you will be prompted to save or lose changes.

## 7.3 IMUX Card Error Messages

Refer to Appendix B in the System Reference Guide for further information on Error Messages regarding this card.

## 7.4 IMUX Card Troubleshooting

On power-up, the IMUX card performs a self-test. This is the only diagnostic available for the IMUX.

The indications that a IMUX is not on-line are:

- Continuous amber alarm LED on front panel AFTER the system has been registered during initial installation. (Prior to registration, the amber LED is an indication that registration needs to occur before the system can be fully operational.
- Inability to communicate with the system by any means (VT-100 Term, Telnet, etc.).

If the IMUX card is determined to be faulty, replace it and return the faulty unit for repair to the location specified by your distributor.

# Chapter 8

## IPR Card

### 8.1 Introduction

This chapter provides installation, configuration, and troubleshooting information for the IP Router (IPR) Card. This card is labeled as the IPR 10B2 (8830) and IPR 10BT (8831) card on their faceplate ejector.

### 8.2 IPR Card Descriptions

#### 8.2.1 IPR 10B2 and 10BT Cards Description (8830/8831)

The IPR 10B2 and IPR 10BT cards are functionality the same card except the IPR 10B2 has an Ethernet interface port and uses a coax jack for a 10Base-2 connection and the IPR 10BT card has an Ethernet interface port and uses a modular jack for a 10Base-T connection (RJ48).

The IPR 10B2 and 10BT Cards are IPR routers that route packets based on IP destination address. IPR routes IP datagrams between Ethernet and Frame Relay PVCs. Frame Relay PVCs can be associated with any of the three Frame Relay ports. IPR also has provisions to automatically forward IP packets to and from the host (CPU) IP node of the Integrated Access System that IPR resides in. It automatically takes care of all the IP fragmentation to and from the host (CPU) IP node.

IPRs can also be optionally connected to FRS server card (on the same Integrated Access System), giving the option of concentrating Ethernet traffic in addition to other ports of concentration on the FRS card. The maximum number of bytes that an IPR can handle in a single packet is 1520 bytes regardless whether a packet arrives from Ethernet or Frame Relay interface.

IPR supports SNMP for Ethernet, Frame Relay, IP and Routing MIBs. It uses the standard Ethernet encapsulation, utilizing 14 bytes Ethernet Header: Source Ethernet Address (6 bytes), Destination Ethernet Address (6 bytes), and a Protocol Type (2 bytes). IPR supports RIP (Routing Information Protocol, RFC 1058) for dynamically discovering IP routes from adjacent IP routers on Frame Relay or Ethernet.

The use of simple filtering and forwarding decisions based on the physical layer address allows less processing time per packet. Because of this, bridging provides better WAN bandwidth, compared to routing. IPR will forward packets matching an entry in the MAC addresses table, configured manually by the user.

The IPR will automatically determine when to Bridge packets and when to route them, based on the MAC destination address in the Ethernet header.

IPR will forward packets matching an entry in the addresses table, configured manually by the user. In addition, LAN broadcasts will be forwarded on all bridge PVCs. No spanning tree or learning algorithms is supported.

IPR will forward Ethernet and 802.3 packets regardless of the upper level protocol: IP DECnet, SNA, AppleTalk, etc. Bridging function is completely “transparent” at IP level, there is no changes to IP address or any other information in the IP header. When accessing the IPR itself, packets will be exchanged in the format as specified in the “encapsulation” setting for the Ethernet port.

The WAN interface is standard encapsulation of Ethernet/802.3 over Frame Relay (RFC 1490).

IPR will provide the capability to deliver IP packets to the CPU hosting the IPR. Assuming an average frame of 256 bytes, IPR maintains LAN to WAN (and WAN to LAN) throughput of 2.048 Mbps.

### **8.2.1.1 Card Jumpers/Switch Settings**

The IPR card does not have any jumpers or switches on its motherboard.

## **8.2.2 Installing the IPR Cards**

Insert the IPR 10B2 or IPR 10BT card into one of the server card chassis slots (P1 to P3). The system can accommodate up to three server cards.

## 8.3 Frame Relay Network

### 8.3.1 IPR Connecting IP LANs

The IPR Card can be used for connecting IP LANs together through Frame Relay Network. Figure 8-1 shows a Frame Relay Network between two Ethernet LANs.

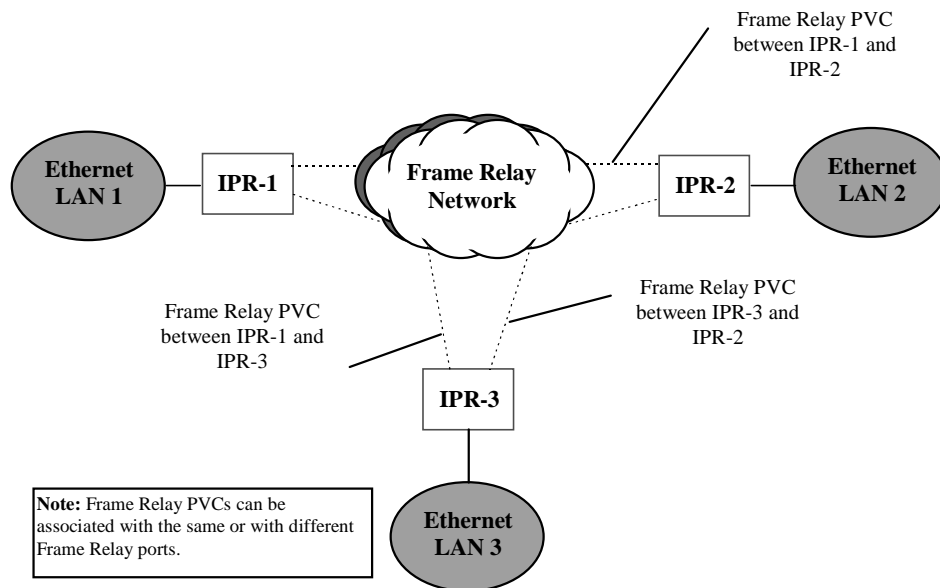


Figure 8-1. IPR Card Connected to IP LANs through Frame Relay Network

8.3.1.1 IPR to the Internet

The IPR card can be used as a gateway to the Internet through Frame Relay Network. Figure 8-2 shows how the IPR is routed through Frame Relay Network to the Internet Router.

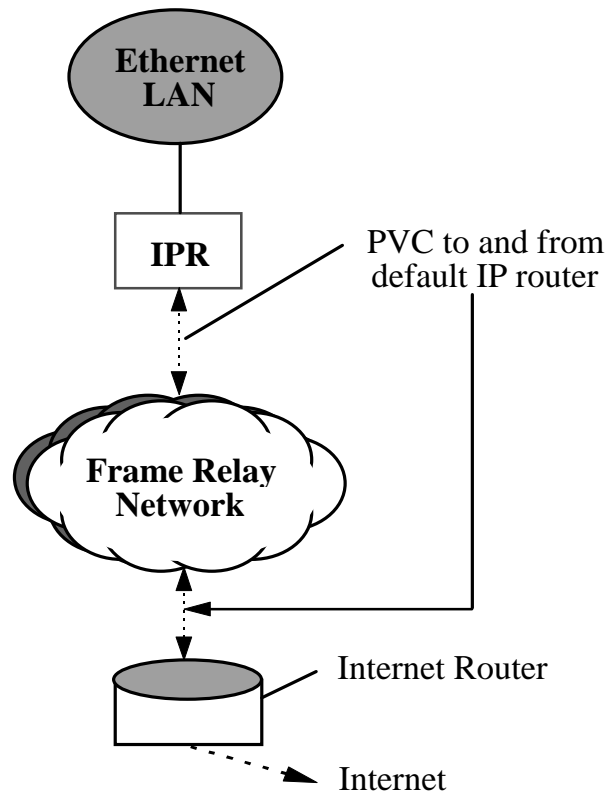


Figure 8-2. IPR Card Routed to the Internet through Frame Relay Network

8.3.1.2 IPR

The IPR Card can be used for connecting IP nodes on Ethernet to the IP nodes on Frame Relay Network. This is used for network management solutions. Figure 8-3 shows how the IPR card is used to connect IP nodes on Frame Relay Network.

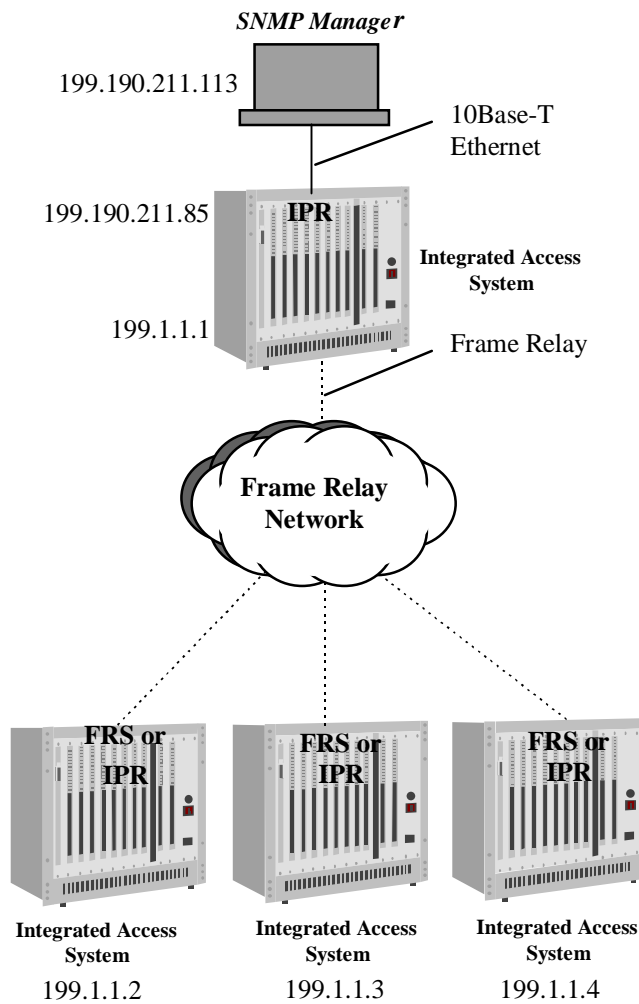


Figure 8-3. IPR Card Connected to IP Nodes on Ethernet to Frame Relay Network

## 8.4 IPR WAN Routing

IPR is designed to provide a maximum level of flexibility to users with different IP WAN topology requirements. IPR supports hub-and-spoke topology, partially or fully meshed topology, point-to-point IP interfaces, multi-point IP interface, unnumbered IP interfaces or a combination of any of the above. Figure 8-4 shows the Hub-to-Spoke Topology.

### 8.4.1 Hub-and-Spoke

The Hub-and-Spoke topology is that every “regional” (spoke) router has to go through the same “central-office: (hub) router for every destination IP node that is not local to a spoke router. This topology is very simple to configure: All spoke routers have a hub router as their default gateway (Default gateway is a router that IP nodes go to if they do not know a path to a particular IP network). Hub can be completely passive (from a routing protocol point of view), advertising no routes to spoke router, and the spoke router can be configured with default point at the hub. A spoke router, in its turn, will advertise any locally known or discovered IP networks (if any) through any routing protocol, since routing convergence time is irrelevant. IPR can be both a spoke and/or a hub router.

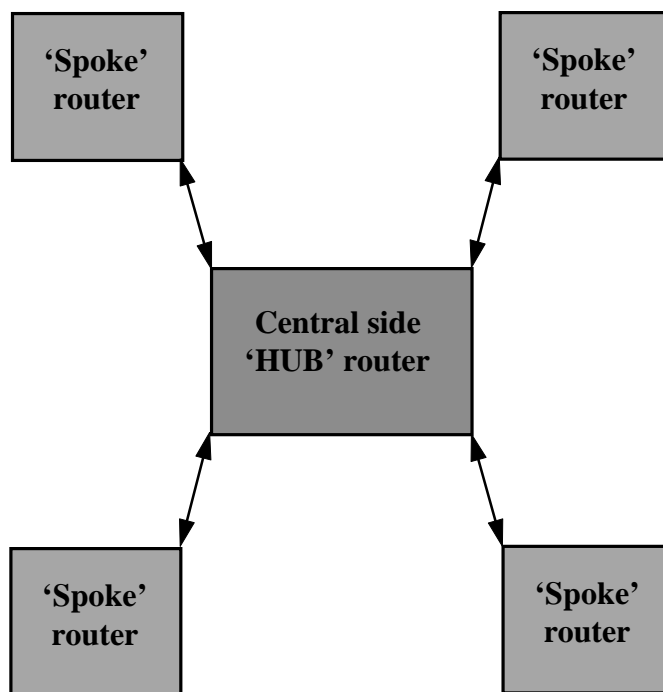


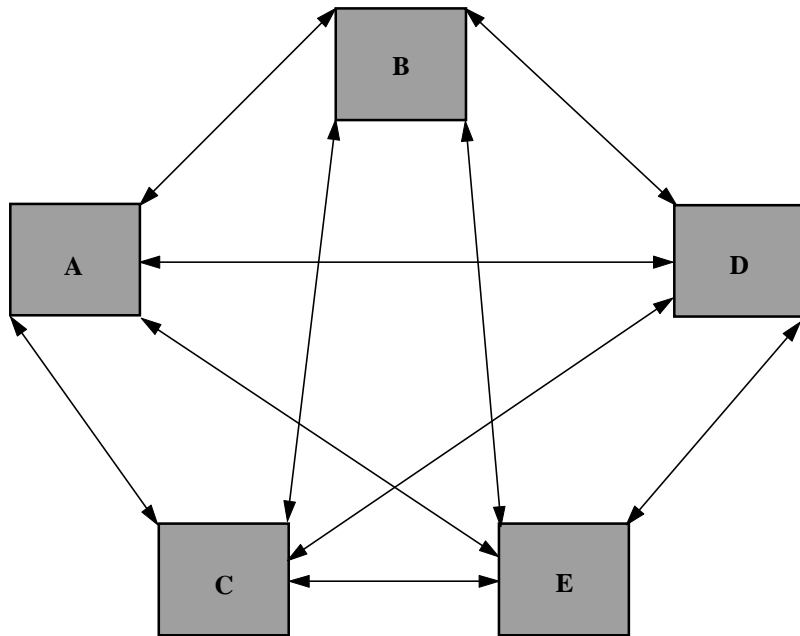
Figure 8-4. Hub-and-Spoke Topology



## 8.5 Fully Meshed vs. Partially Meshed

### 8.5.1 Fully Meshed Frame Relay Network

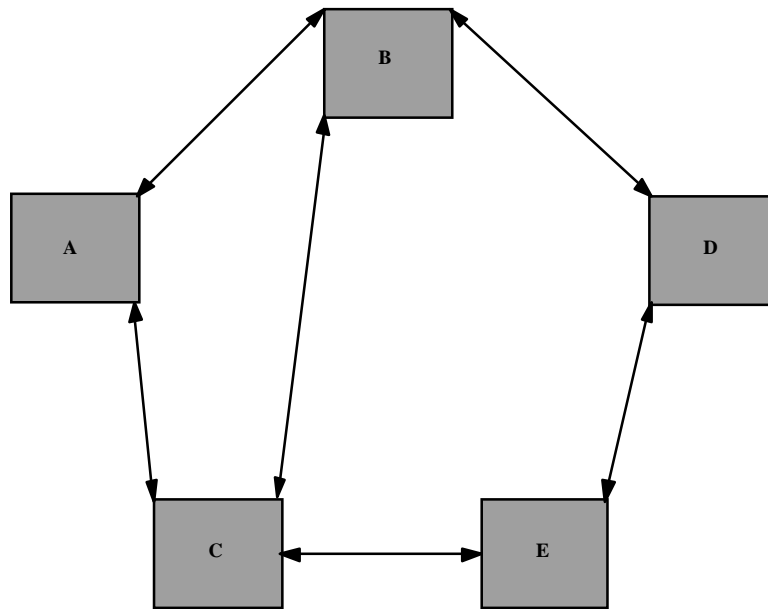
A single IP network number (or subnet) is assigned to an entire Frame Relay network. Most data links (such as Ethernet) assume transitivity on a logical network; that is, if node A can talk to node B, and node B can talk to node C, then node A should be able to talk to node C. This is not true on Frame Relay networks unless they are fully meshed. Figure 8-5 shows an example of a fully meshed frame relay network with full connectivity. All routers have a link to each other.



**Figure 8-5. Fully Meshed Frame Relay Network with Full Connectivity**

### 8.5.2 Partially Meshed Frame Relay Network (Same IP Network)

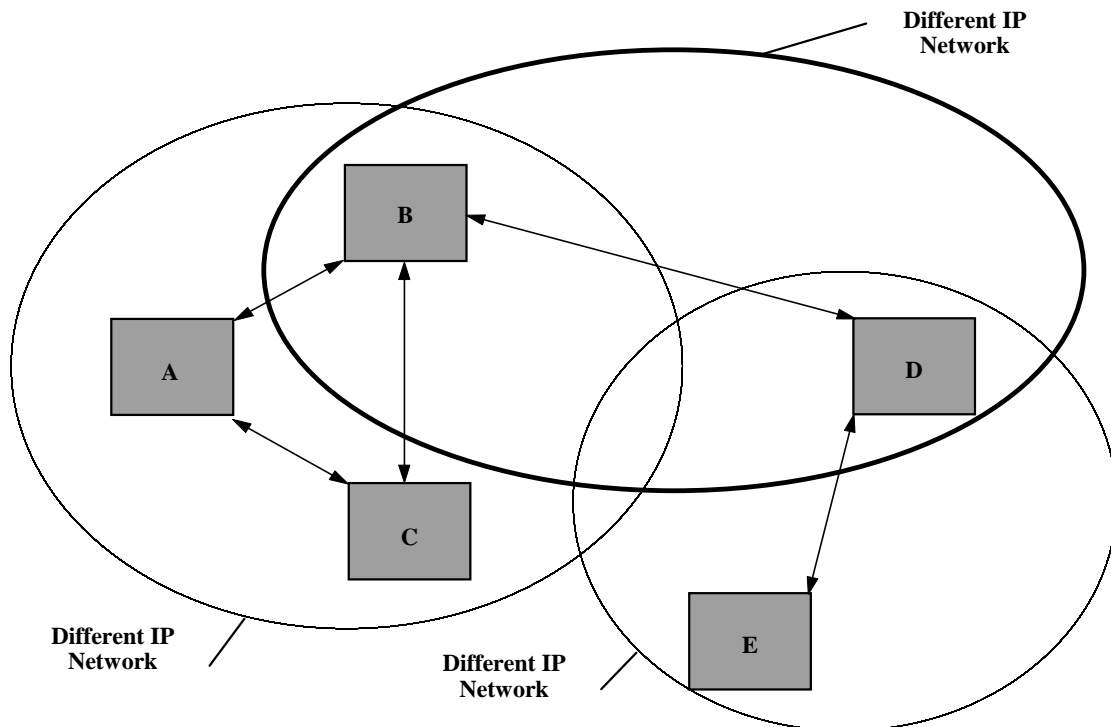
In this topology, router E (and all the IP nodes behind it) will not reach routers A, B and C (therefore, all the nodes behind them). This is because there is no direct path between E and A. In addition, all routing updates from router A will not be heard on routers D and E, and therefore routers D and E will have no idea about IP nodes behind router A (as well as B and C). In the real world, IP is rarely fully meshed. Figure 8-6 shows a partially meshed frame relay network without full connectivity with all the nodes on the same IP network.



**Figure 8-6. Partially Meshed Frame Relay Network without Full Connectivity (Same IP Network)**

### 8.5.3 Partially Meshed Frame Relay Network (Different IP Network)

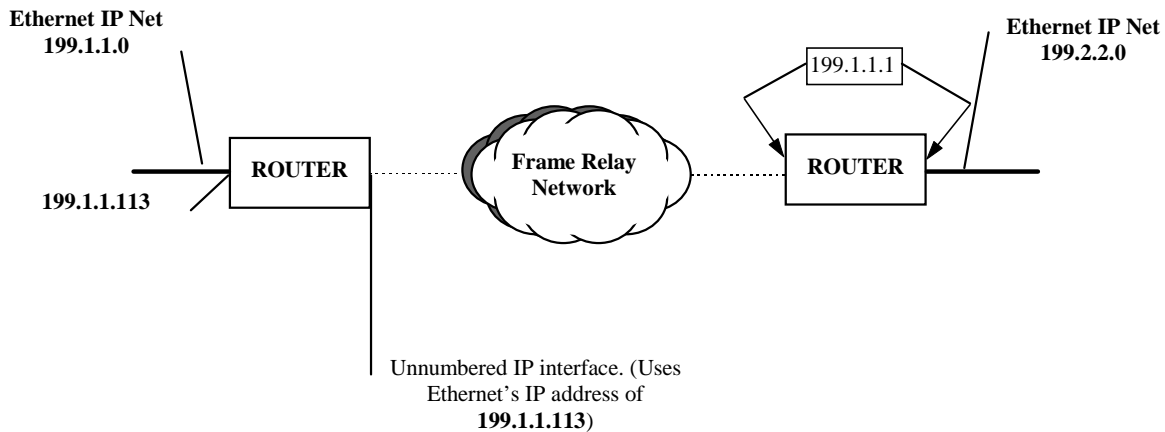
The Frame Relay router should be able to support different IP networks inside Frame Relay, so that partially meshed Frame Relay networks can be “split” into different full-meshed Frame Relay “subinterfaces.” This IP network comprises of routers A, B and C is called point-to-multipoint (or a group mode WAN interface). A topology between routers B and D, as well as between routers E and D is called point-to-point (or a direct mode WAN interface). Figure 8-7 shows a partially meshed frame relay network with full connectivity using different IP network capabilities with three networks and five locations.



**Figure 8-7. Partially Meshed Frame Relay Network with Full Connectivity (Different IP Network)**

### 8.5.4 Unnumbered IP Interface

When using a point-to-point Frame Relay IP interface, it is sometimes very useful for a user not to assign an IP address to this Frame Relay interface, but rather to use an IP address of another interface (e.g. Ethernet) in order to conserve an IP address and reduce the addressing burden that might otherwise occur. Unnumbered interfaces give the customer an opportunity to have just one IP address per whole IPR card, and use this address as a home IP address for all the attached WAN interfaces. IPR can be used as any or a combination of the settings shown in the previous sections described above. The reason for this is due to the fact that an IPR, the customer first defines a logical IP interface, which includes IPRs address on this IP interface and then can plug-and-play specified IP interfaces to any physical interface (Ethernet and/or PVCs). Figure 8-8 below shows an Unnumbered Interface.



**Figure 8-8. Unnumbered Frame Relay IP Interface**

## 8.6 IPR Card Configuration Screens and Settings

### 8.6.1 IPR 10B2 (8830) and 10BT (8831) Cards Main Screen

IP Interface Menu is the main screen of IPR 10B2 and IPR 10BT cards. It describes all the directly connected logical IP networks that can be associated with any of the physical interfaces (Ethernet and/or Frame Relay PVCs). Figure 8-9 shows a typical IP interface screen for the IPR 10B2 and IPR 10BT cards.

```

Node_1 | P1/U1 IPR-2   Rev C1-0   Ser 00008   | 12-31-99 14:33
-----|-----
Version #:2.0

page: 1 of 1           IP INTERFACE MENU

NAME      IP ADDR      IP MASK
ipr       199.190.211.96  255.255.255.0

Ref | Add | dEl | pgUp | pgDn | eNet | Fr | rOut | Stat | neTst | Brdg | Main

```

**Figure 8-9. IPR 10B2 and 10BT Card Interface Main Screen**



**Note:** All screens shown from this point forward will display the IPR-2 card at the top of the screen. The IPR-T screens are exactly identical.

**Table 8-1. IPR 10B2 and 10BT Card Main Screen Actions**

Action	Function
Ref	Refresh the current screen.
Add	Add a new IP interface.
dEl	Delete existing IP interface.
PgUP	Scrolls up one page.
PgDn	Scrolls down one page.
eNet	Go to Ethernet and Default IP screen.
Fr	Go to Frame Relay Ports screen.
rOut	Displays current routing table of this IPR
Stat	Go to Static Route configuration screen.
neTst	Display IP statistics
Brdg	Go to IPR Bridge Interface screen.
Main	Go back to the IP Interface Main Menu Screen.

**Table 8-2. IPR 10B2 and 10BT Card Interface Option Settings and Defaults**

Parameter	User Options	Default
NAME	Name associated with the IP interface	8 chars.
IP ADDR	IP address of IP network	0000000000
IP MASK	IP netmask for IP network	0000000000

**NAME**

The name (8 characters max.) of this logical IP interface. This name is referenced when the user associates one of the physical interfaces with this IP interface.

**IP ADDR**

IPRs own IP address on this IP network. (e.g. 199.190.211.85).

**IP MASK**

IP net mask for this IP net. (e.g. 255.255.255.0).

## 8.6.2 Ethernet and Default IP Screen

The Ethernet IP screen activates the Ethernet ports for routing to an IP address. Figure 8-10 shows the Ethernet and Default IP screen. Pressing “**P**” (**Perf**) from the Ethernet screen the Ethernet Performance screen will display. See Figure 8-11.

```

Node_1 | P1/U1 IPR-2   Rev C1-0   Ser 00008 | 12-31-99 14:33
-----|-----|-----|-----|-----|-----|
          ETHERNET

STATE                actv
ENCAPSULATION        Ether
IP INTERFACE         E0
IP MTU               1500
RIP                  R&T
SH                   yes

          DEFAULT ROUTING
DEFAULT TYPE         statc
DEFAULT GATEWAY     199.190.211.9
PROXY HOST           enabl

Save | Undo | Refresh | Perf | Arp | Main

```

**Figure 8-10. IPR 10B2 and 10BT Ethernet and Default IP Screen**

**Table 8-3. IPR 10B2 and 10BT Ethernet and Default IP Screen Actions**

Action	Function
Save	Save the parameter settings
Undo	Resets the parameter settings to default
Refresh	Refreshes the current screen
Perf	Displays the Ethernet Port Statistics screen
Arp	Displays the Ethernet ARP Table screen
Main	Go back to the IP Interface Menu screen

**Table 8-4. IPR 10B2 and 10BT Ethernet and Default IP Option Settings and Defaults**

Parameter	User Options	Default
STATE	actv stdby	stdby
ENCAPSULATION	Ether 802	Ether
IP INTERFACE	<name>	<name>
IP MTU	64-1500	64-1500
RIP	none R T R&T	R&T
SH	yes no	yes
DEFAULT TYPE	none statc dynam host	none
DEFAULT GATEWAY	n/a ipaddr	n/a
PROXY HOST	enabl dsable	dsable

### STATE

Activates or deactivates Ethernet port. The settings are **actv** or **stdby**.

### ENCAPSULATION

Ethernet encapsulation. The settings are **Ether** or **802**.

### IP INTERFACE

IP Interface name from IP Interface screen. This must be a valid IP interface.

### IP MTU

IP MTU on Ethernet. The IP MTU can be between **64-1500**.

### RIP

RIP parameters. The default is **R&T** (Receive & Transmit). Other options are **R**, **T**, and **none**.

### SH

Enables or disables split horizon on Ethernet. Options are yes or no.



**DEFAULT TYPE**

The Default Type is where the IP is routed through: IP gateway, RIP protocol, or to the host CPU IP node. Options are **static** (goes to the specified IP gateway), **dynam** (figures it out dynamically through RIP protocol) **host** (sends it to the host CPU IP node) and **none**.

**DEFAULT GATEWAY**

IP address of the default gateway. Options are **ipaddr** and **none**. This is only used for static type gateway.

**PROXY HOST**

Enables or disables routing to and from the CPU (host) IP node. Options are **enabl** (enable), and **dsable** (disable). This will either enable or disable routing to and from the CPU host IP node.

### 8.6.3 Ethernet Performance Screen

The Ethernet Performance screen is displayed by pressing “P” (**Perf**) from the Ethernet screen. This screen displays the Ethernet Address, and any other additional information for the Ethernet Statistics. Figure 8-11 shows the Ethernet Performance screen.

```
Node_1 | P1/U1 IPR-2 Rev C1-0 Ser 00008 | 12-31-99 14:33
      Ethernet Port Statistics
ETHENT ADDR      00.A0.1B.54.00.0c
PACKETS RX:      601
PACKETS TX:      904
RX ERRORS:       0
TX ERRORS:       0
BROADCASTS RX:   4573
MULTICASTS RX:   0
Refresh | Clear | Main
```

Figure 8-11. IPR 10B2 and 10BT Ethernet Performance Screen

## 8.6.4 ARP Screen

The ARP screen will display when pressing the “A” (Arp) from the Ethernet screen. Figure 8-12 shows the ARP Table screen. This screen will display ARP Entries, Ethernet Addresses, and the State in which each ARP entry (e.g GOOD, BAD, etc.).

Node_1		P1/U1 IPR-2		Rev C1-0		Ser 00008		12-31-99 14:33	
ARP TABLE									
#	ARP Entry	Eth.Address		State					
1	199.190.211.144	08.00.20.23.6b.36		GOOD					
2	199.190.211.2	08.00.20.0a.cb.a2		GOOD					
3	199.190.211.254	00.20.af.d1.74.cc		GOOD					
				Total # of ARP Entries: 3					
Inverse ARP Received:0				Inverse ARP Replied:0					
Refresh   PgUp   RgDn   Clear   Main									

Figure 8-12. IPR 10B2 and 10BT ARP Table Screen

### 8.6.5 Frame Relay Ports Configuration Screen

The Frame Relay Ports Configuration screen displays when pressing “F” (Fr) from the IP Interface Menu screen. Figure 8-13 shows the Frame Relay Ports Configuration screen. This screen allows the user to activate the Frame Relay ports.

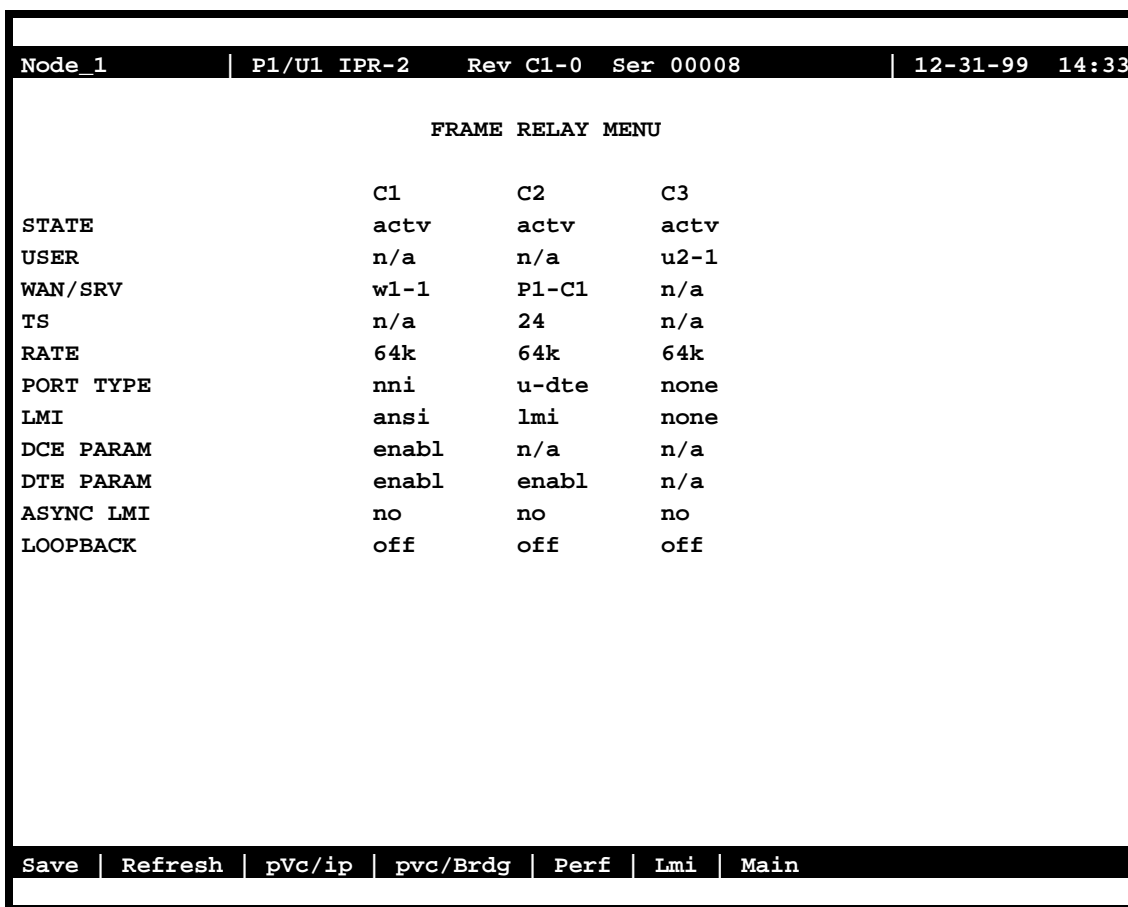


Figure 8-13. IPR 10B2 and 10BT Frame Relay Menu

Table 8-5. IPR 10B2 and 10BT Frame Relay Menu Screen Actions

Action	Function
Save	Saves parameter settings
Refresh	Refreshes current screen
pVc/ip	Goes to the Frame Relay PVC Configuration screen
pvc/Brdg	Goes to the Frame Relay Bridge PVC screen
Perf	Goes to the Frame Relay Port Performance screen
Lmi	Goes to the Frame Relay LMI screen for this port
Main	Returns to the Frame Relay menu screen

**Table 8-6. IPR 10B2 and 10BT Frame Relay Menu  
Option Settings and Defaults**

Parameter	User Options	Default
STATE	actv stdby	stdby
USER	n/a	n/a
WAN/SRV	wan (w1-1 through w4-2) serv (P1 through P3)	w1-1
TS	1-24	1-24
RATE	64k	64k
PORT TYPE	u-dte u-dce nni none frad	none
LMI	ansi ccitt lmi none	none
DCE PARAM	DCE T392 N392 N393 LMI	
DTE PARAM	DTE T391 N391 N392 N393	
ASYNC LMI	no yes	no
LOOPBACK	off line local	off

### STATE

Activates or disables the Frame Relay port. Options are **actv** (active), or **stdby** (standby).

### USER

Displays the attached user. This is a display only parameter. Options are **n/a**.

### WAN/SERV

Point to the WAN or Server slot. Options are **wan** (w1-1 through w4-2), and **srv** (P1 through P3).

### TS

Can only be set for WAN/SRV case.

### RATE

Always 64k.

### PORT TYPE

Frame Relay port type. Choices are **u-dte**, **u-dce**, **nni**, **frad**, **none**.

**LMI**

LMI Encapsulation. Choices are **ansi**, **ccitt**, **lmi**, **none**.

**DCE PARAM**

DCE parameters: (**DCE T392**, **N392**, and **N393** LMI parameters).

**DTE PARAM**

DTE parameters: (**DTE T391**, **N391**, **N392**, and **N393** parameter).

**ASYNC LMI**

Enables or disables asynchronous LMI messages. Options are **yes** or **no**.

**LOOPBACK**

Enables or disables loopback on this port. Options are **off**, **line**, and **local**.

## 8.6.6 Frame Relay PVC Configuration Screen

The Frame Relay PVC Configuration screen, Figure 8-14, configures the Frame Relay PVC by entering the PVC name, state, and port in which to activate.

Node 1   P1/U1 IPR-2   Rev C1-0   Ser 00008   12-31-99 14:33									
page: 1 of 1		FR PVC/IP MENU							
Name	State	Port	Dlci	IP INTF	IP MTU	RIP	SH	Wt	Fwd
jones	actv	C1	16	FRelay	1500	R&T	yes	0	no
Refresh   Add   dElete   pgUp   pgDn   Status   Perf   Main									

**Figure 8-14. IPR 10B2 and 10BT Frame Relay PVC Configuration Screen**

**Table 8-7. IPR 10B2 and 10BT Frame Relay PVC Configuration Screen Actions**

Action	Function
Refresh	Refreshes the current screen
Add	Adds a PVC
dElete	Deletes a PVC
pgUp	Scrolls up one page of information
pgDn	Scrolls down one page of information
Status	Displays the status of the current PVCs
Perf	Displays the performance screen for the current PVC
Main	Returns to the Frame Relay Menu screen

**Table 8-8. IPR 10B2 and 10BT FR PVC Configuration  
Option Settings and Defaults**

Parameter	User Options	Default
NAME	8 characters long	xxxxxxx
STATE	actv stdby	stdby
PORT	C1-C3	C1-C3
DLCI	16-1023	16-1023
IP INTF	IP Interface name (7 characters long)	xxxxxxx
IP MTU	64-1500	64-1500
RIP	none R T R&T	R&T
SH	yes no	yes
WT	0-15	0-15
FWD	no yes	yes

### NAME

The name of the PVC. The name must be at least 8 characters long.

### STATE

This is activate or deactivates the PVC. Options are **actv** (active), and **stdby** (standby).

### PORT

Frame Relay port. Options are **C1**, **C2** and **C3**.

### DLCI

DLCI number for the current PVC. Options are **16-1023**.

### IP INTF

The name of the associated IP interface.

### IP MTU

IP MTU for the current PVC. Options are **64-1500**.



**RIP**

Options are T, T R&T, and none. Options are **none, R, T, and R&T.**

**SH**

Split Horizon. Options are **yes** or **no.**

**WT**

Additional route weight for all the routes coming from the current PVC. Options are **0-15.**

**FWD**

Options are **no** or **yes.**

### 8.6.7 Frame Relay Bridge PVC Screen

The Frame Relay Bridge PVC screen, Figure 8-15 is displayed by pressing “B” (pvc/Brdg) from the Frame Relay Menu screen. The screen will provide the ability to create PVCs for association with MAC addresses.

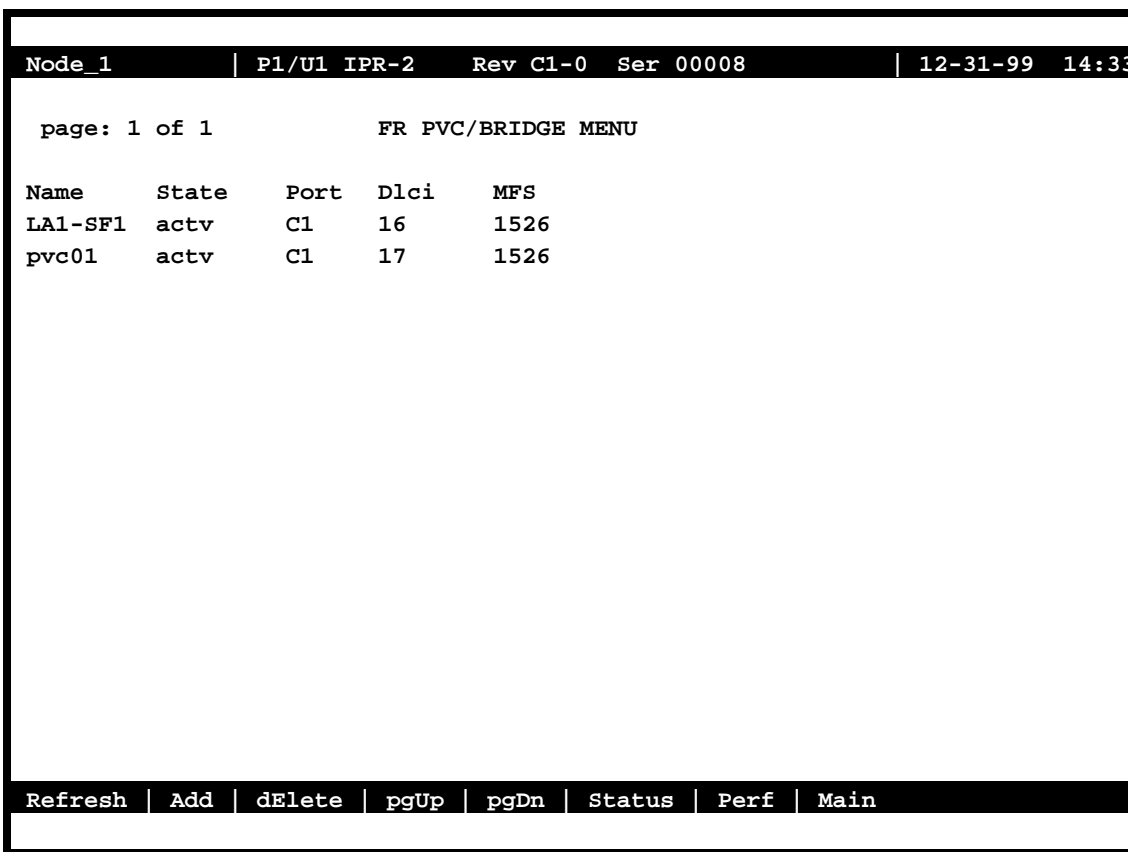


Figure 8-15. IPR 10B2 and 10BT Frame Relay Bridge PVC Menu

Table 8-9. IPR 10B2 and 10BT Frame Relay Bridge PVC Configuration Screen Actions

Action	Function
Refresh	Refreshes the current screen
Add	Adds a PVC
dElete	Deletes a PVC
pgUp	Scrolls up one page of information
pgDn	Scrolls down one page of information
Status	Displays the status of the current PVCs
Perf	Displays the performance screen for the current PVC
Main	Returns to the Frame Relay Menu screen

**Table 8-10. IPR 10B2 and 10BT FR Bridge PVC Configuration Option Settings and Defaults**

Parameter	User Options	Default
NAME	7 characters long	xxxxxxx
STATE	actv stdby	stdby
PORT	C1-C3	C1-C3
DLCI	16-1023	16-1023
MFS	1526	1526

### NAME

The name of the PVC. The name must be at least 7 characters long.

### STATE

This is activate or deactivates the PVC. Options are **actv** (active), and **stdby** (standby).

### PORT

Frame Relay port. Options are **C1**, **C2** and **C3**.

### DLCI

DLCI number for the current PVC. Options are **16-1023**.

### MFS

Maximum Frame Size. This field is fixed at 1526 bytes and is for information only.

### 8.6.8 PVC Performance Screen

The PVC Performance screen, Figure 8-16 is displayed by pressing “P” (Perf) from the FR PVC/Bridge Menu screen or PVC/IP Menu screen. The screen will display 15-minute interval PVC performance history.

Node_1   P1/U1 IPR-2 Rev C1-0 Ser 00008   12-31-99 14:33						
PVC jones PERFORMANCE Sec. 125 of 900						
	FRAME In	FRAME Out	BYTES In	BYTES Out	DRPT in	DRPT out
CUR	5	5	280	480	0	0
01	34	30	1904	2880	0	0
02	34	30	1904	3720	0	0
03	34	27	1904	3672	0	0
04	-----	-----	-----	-----	-----	-----
05	-----	-----	-----	-----	-----	-----
06	-----	-----	-----	-----	-----	-----
07	-----	-----	-----	-----	-----	-----
08	-----	-----	-----	-----	-----	-----
09	-----	-----	-----	-----	-----	-----
10	-----	-----	-----	-----	-----	-----
11	-----	-----	-----	-----	-----	-----
12	-----	-----	-----	-----	-----	-----
TOTAL	107	92	6072	10752	2	1
Refresh   Clear   pgUp   pgDn   Main						

Figure 8-16. IPR 10B2 and 10BT PVC Performance Screen

### 8.6.9 Frame Relay Port Performance Screen

The Frame Relay Port Performance screen, Figure 8-17 displays when pressing “P” (Perf) from the Frame Relay Menu screen. This will show the status of the Frame transmit and receive history in 15 minute intervals.

Node_1   P1/U1 IPR-2   Rev C1-0 Ser 00008   12-31-99 14:33							
Port C1 PERFORMANCE				Sec. 118 of 900			
	FRAME Rx	FRAME Tx	OCTETS Rx	OCTETS Tx	DRPRx	DRPTx	STATUS
CUR	29	28	626	890	0	0	....
01	213	206	4480	6263	2	1	....
02	-----	-----	-----	-----	-----	-----	....
03	-----	-----	-----	-----	-----	-----	....
04	-----	-----	-----	-----	-----	-----	....
05	-----	-----	-----	-----	-----	-----	....
06	-----	-----	-----	-----	-----	-----	....
07	-----	-----	-----	-----	-----	-----	....
08	-----	-----	-----	-----	-----	-----	....
09	-----	-----	-----	-----	-----	-----	....
10	-----	-----	-----	-----	-----	-----	....
11	-----	-----	-----	-----	-----	-----	....
12	-----	-----	-----	-----	-----	-----	....
TOTAL	242	234	5106	7153	2	1	
STATUS: T=DTE DOWN      C=DCE DOWN      L=LOOPBACK      S=STDBY							
Refresh   Clear   pgUp   pgDn   Main							

Figure 8-17. IPR 10B2 and 10BT Frame Relay Port Performance Screen

### 8.6.10 Frame Relay Port LMI Screen

The Frame Relay Port LMI screen Figure 8-18, shown below displays the information relating to the DCE and DTE statistics for port C1-C3 depending on which port is chosen. By pressing the “C”(Clear) key all information displayed on the current screen will be cleared (erased).

```
Node_1 | P1/U1 IPR-2 | Rev C1-0 Ser 00008 | 12-31-99 14:33
Frame Relay Port C1 Statistics
DCE      N/A      DTE      N/A
Status Inq. RX:222   Status Inq. TX: 223
Status TX: 223      Status RX: 222
Async Status TX: 0   Async Status RX: 0
Seq # Mismatch: 1   Seq # Mismatch: 0
Timeouts: 0         Timeouts: 1
Bad HDLC frames: 0
Invalid frames: 0
No Route frames: 0
Refresh | Clear | Main
```

Figure 8-18. IPR 10B2 and 10BT Frame Relay Port LMI Screen

### 8.6.11 IP Routing Table Screen

The IP Routing Table is a display only screen. Figure 8-19 will display when pressing “O” (rOut) from the IP Interface Menu screen. The current IP routes will display. Under the Interface parameter HOST RT and ETHER are shown. The HOST RT is the CPU host IP node. And the ETHER is the current route pointing to the Ethernet. If the route is pointing to Frame Relay, then Interface will display the name of the PVC to which this route points.

Node_1	P1/U1 IPR-2	Rev C1-0	Ser 00008	12-31-99	14:33
IP Routing Table					
Route	Dist	Next Hop	Interface	Status	S
199.190.211.81	1	199.190.211.81	HOST RT	..H..	G
199.190.211.0	1	199.190.211.85	ETHER	D..F.	G
216.1.1.0	2	199.190.211.169	ETHER	...R	G
200.1.1.0	1	200.1.1.1	jones	D...	G
199.8.8.0	2	199.8.8.2	jones	...R	G
125.15.0.0	1	0.0.0.0	jones	.S...	G
Total # Of IP Routes: 6					
STATUS: D=DIRECT S=STATIC H=HOST F=DEFAULT R=RIP					
S (STATE): G=GOOD P=SUSPECT B=BAD					
Refresh	PgUn	PgDn	Main		

Figure 8-19. IPR 10B2 and 10BT IP Routing Table Screen

### 8.6.12 Static Routes Configuration Screen

The Static Route Configuration screen, Figure 8-20 displays when pressing “S” (Stat) from the IP Interface Menu screen. The IP Static information can be added by entering a valid IP net address (e.g. 125.15.0.0). The IP Static routes will always be used in distance, instead of the dynamic routes. This distance will be advertised in any routing updates for this static route.

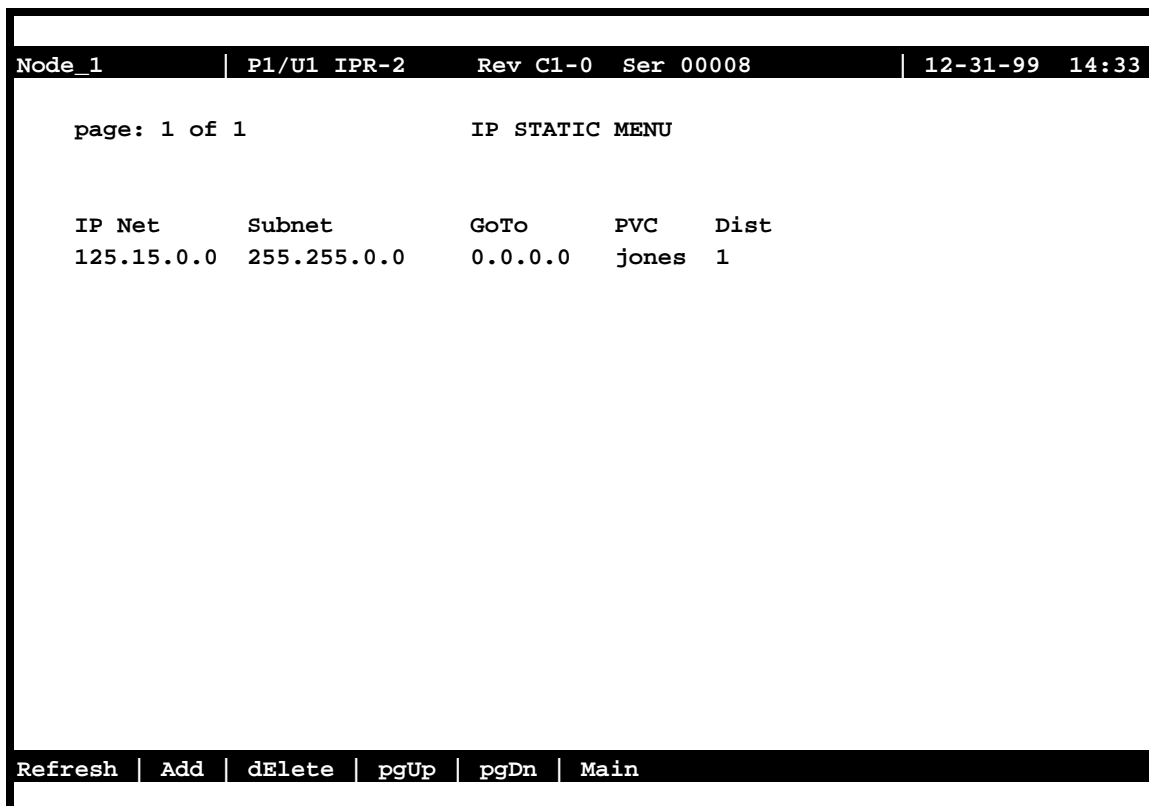


Figure 8-20. IPR 10B2 and 10BT IP Static Routes Configuration Menu Screen

Table 8-11. IPR 10B2 and 10BT IP Static Routes Configuration Table Screen Actions

Action	Function
Refresh	Refreshes the current screen
Add	Adds the selected information on the screen (e.g. IP net, Subnet, etc.)
dElete	Deletes the selected information from the screen
pgUp	Scrolls up through the list of IP static routes
pgDn	Scrolls down through the list of IP static routes
Main	Returns to the IP Interface Menu screen



**Table 8-12. IPR 10B2 and 10BT IP Static Routes Configuration Option Settings and Defaults**

Parameter	User Options	Default
IP NET	A valid IP address	0.0.0.0.0.0.0
SUBNET	A valid subnet mask	0.0.0.0.0.0.0
GOTO	A valid IP address	0.0.0.0.0.0.0
PVC	<name>	<name>
DIST	1-15	1-15

### IP NET

A destination IP network address. Enter a valid IP address (e.g. 125.15.0.0).

### SUBNET

A subnet mask. Enter a valid subnet mask (e.g. 255.255.0.0).

### GOTO

IP address of the next IP gateway for this static route. Enter a valid IP address gateway (e.g. 0.0.0.0).

### PVC

Name of the PVC at which this static route is pointed. No name should be entered for the Ethernet static route. Enter a valid PVC name for the static route to which it points. (e.g. jones).

### DIST

Administrative distance (in hops) for this static route.



**Note:** *The static routes will always be preferred to dynamic routes regardless of the Distance. This Distance will, however, be advertised in any routing updates for this static route.*

### 8.6.13 IP Performance Screen (Netstats)

The IP Performance screen will display by pressing “T” (neTst) from the IP Interface Menu screen. The IP Traffic Statistics displays the generated, routed, and errors found throughout the IP routing statistics profile while running. Figure 8-21 shows the screen.

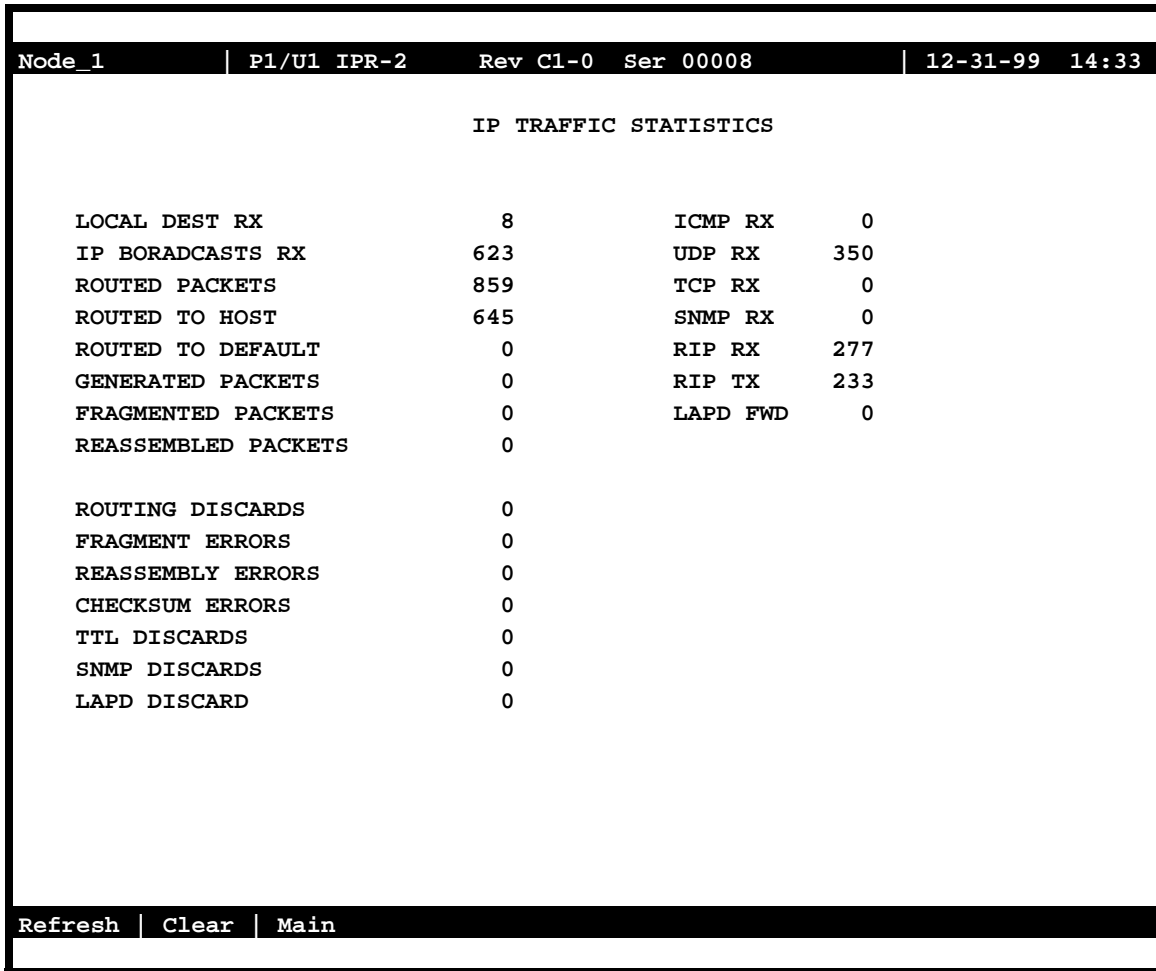


Figure 8-21. IPR 10B2 and 10BT IP Performance Screen (Netstats)

### 8.6.14 IPR Bridge Interface Screen

The IPR Bridge Interface screen will display by pressing “**B**” (**Brdg**) from the IP Interface Menu screen (Figure 8-22).

```

Node_1 | P1/U1 IPR-2 | Rev C2-0 Ser 00147 | 12-31-99 14:33

page: 1 of 1 | IPR BRIDGE INTERFACE

NAME      MAC Address      PVC
CBS1      08.00.20.73.bc.21  SF1-LA1
SPARC     09.00.20.8d.cf.c0  pvc01

Refresh | Add | dElete | Main

```

**Figure 8-22. IPR 10B2 and 10BT Bridge Interface Screen**

**Table 8-13. IPR 10B2 and 10BT Bridge Interface Screen Actions**

Action	Function
Refresh	Refreshes the current screen
Add	Adds the selected information on the screen (e.g. Name, MAC Address, PVC)
dElete	Deletes the selected information from the screen
Main	Returns to the IP Interface Menu screen

**Table 8-14. IPR 10B2 and 10BT Bridge Interface Option Settings and Defaults**

<b>Parameter</b>	<b>User Options</b>	<b>Default</b>
NAME	Interface name, 7 characters long	XXXXXXX
MAC ADDRESS	48-bit number	XX.XX.XX.XX.XX.XX
PVC	PVC name, 7 characters long, must be one of the valid selections from pvc/Brdg screen.	XXXXXXX

## 8.7 IPR Card Error Messages

Refer to Appendix B in the System Reference Guide for further information on Error Messages regarding this card.

## 8.8 IPR Card Troubleshooting

On power-up, the IPR card performs a self-test. This is the only diagnostic available for the IPR. A “healthy” active IPR will have a green LED lit on the front panel. A “healthy” redundant IPR will flash between green and amber LEDs.

The indications that an IPR is not on-line are:

- Continuous amber alarm LED on front panel AFTER the system has been registered during initial installation. (Prior to registration, the amber LED is an indication that registration needs to occur before the system can be fully operational.
- Inability to communicate with the system by any means (VT-100 Term, Telnet, etc.).

If the IPR card is determined to be faulty, replace it and return the faulty unit for repair to the location specified by your distributor.

